

FEATURES

- Radial Format
- Up to 1.62A IDC
- 10 μ H to 68mH
- Low DC Resistance
- Miniature Size
- PCB Mounting
- MIL-I-23053/5 Class I & II Slewing
- Fully Tinned Leads
- Supplied in Bags of 100
- Custom Parts Available

DESCRIPTION

The 2200R Series is a general-purpose range of inductors suitable for low to medium current applications. Their small footprint makes them ideal for high-density applications where a chip inductor will not cope with the power requirement.

SELECTION GUIDE

Order Code	Inductance $\pm 10\%$ (at 1kHz) μ H	DC Resistance Ω MAX	DC Current Continuous ² A MAX	Nominal Q at f kHz		Nominal Self Resonant Frequency MHz
				Q	f	
22R103	10.0	0.05	1.62	40	1000	21.2
22R153	15.0	0.07	1.35	30	500	19.4
22R223	22.0	0.09	1.08	30	500	17.0
22R333	33.0	0.14	0.90	25	500	11.4
22R473	47.0	0.22	0.77	25	500	10.9
22R683	68.0	0.28	0.77	70	100	10.6
22R104	100.0	0.39	0.67	65	100	8.9
22R154	150.0	0.54	0.52	80	100	6.2
22R224	220.0	0.83	0.43	90	100	5.4
22R334	330.0	1.21	0.38	95	100	4.5
22R474	470.0	1.65	0.31	100	100	3.2
22R684	680.0	2.64	0.25	105	100	3.0
22R105	1.0mH	3.63	0.17	120	100	2.5
22R155	1.5mH	6.49	0.13	130	100	2.1
22R225	2.2mH	8.58	0.11	130	50	1.9
22R335	3.3mH	10.0	0.10	125	150	1.2
22R475	4.7mH	13.2	0.081	130	150	0.95
22R685	6.8mH	22.0	0.072	135	150	0.85
22R106	10.0mH	37.4	0.063	140	150	0.62
22R156	15.0mH	49.5	0.054	145	150	0.51
22R226	22.0mH	82.5	0.045	100	50	0.34
22R336	33.0mH	110.0	0.036	90	50	0.28
22R476	47.0mH	154.0	0.027	80	50	0.25
22R686	68.0mH	242.0	0.018	70	50	0.20

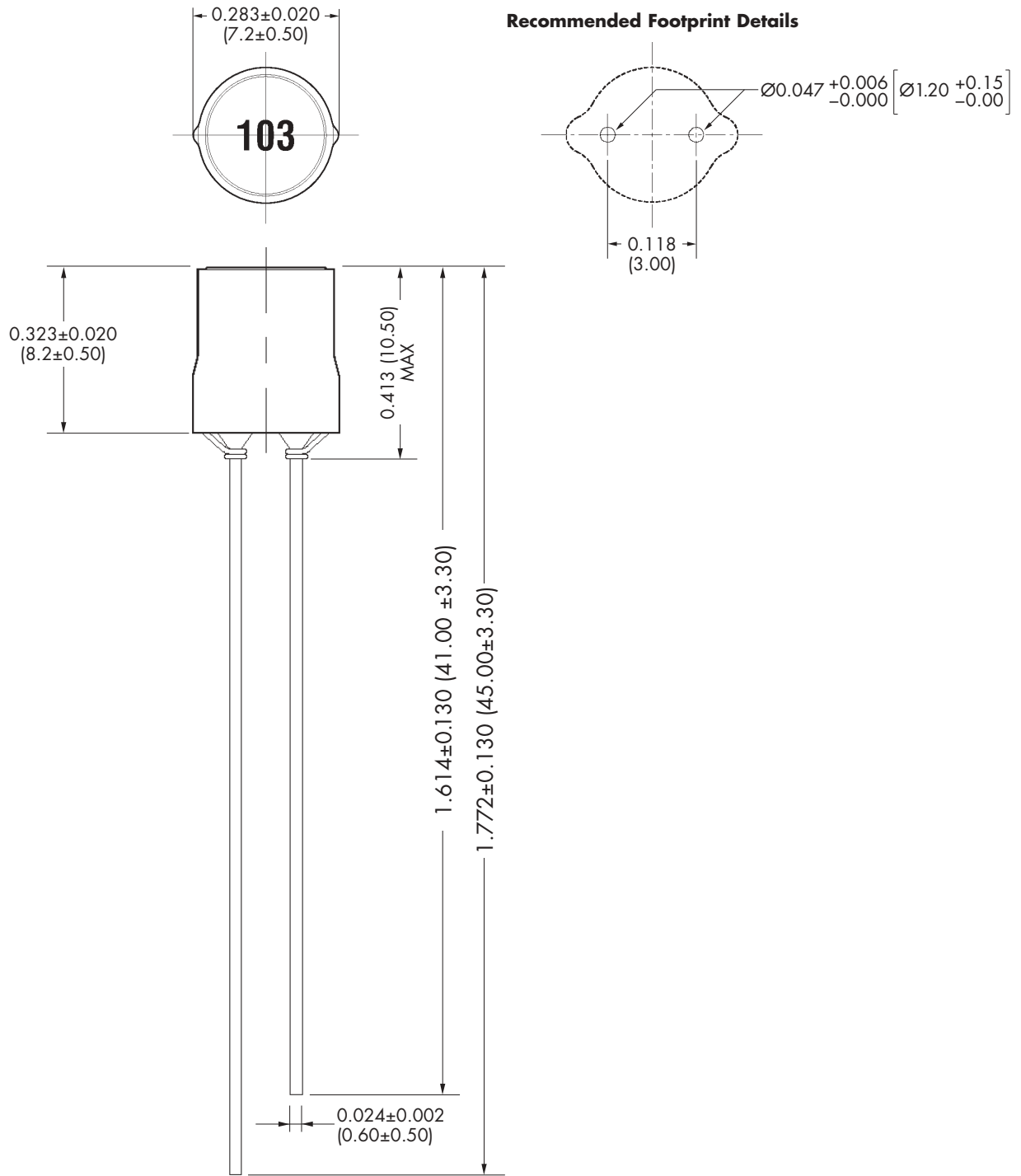
TYPICAL CORE CHARACTERISTICS

Inductance Temperature Coefficient	Resistance Temperature Coefficient	Curie Temperature TC	Saturation Flux BSAT
350ppm	3900ppm	190°C	325mT

ABSOLUTE MAXIMUM RATINGS

Operating free air temperature range	-25°C to 70°C
Storage temperature range	-40°C to 125°C

MECHANICAL DIMENSIONS



All dimensions in inches (mm)

C&D Technologies Inc. reserve the right to alter or improve the specification, internal design or manufacturing process at any time, without notice. Please check with your supplier or visit our web site to ensure that you have the current and complete specification for your product before use.

© C&D Technologies (NCL) Limited 2004

NMP 2200R.5

No part of this publication may be copied, transmitted or stored in a retrieval system or reproduced in any way including, but not limited to, photography, photocopy, magnetic or other recording means, without prior written permission from C&D Technologies Inc.

Instructions for use are available from: www.cdpoweronline.com

C&D Technologies (NCL) Ltd
Tanners Drive, Blakelands North
Milton Keynes MK14 5BU, England
Tel: +44 (0)1908 615232
Fax: +44 (0)1908 617545
email: info@cdtechno-ncl.com

www.cdpoweronline.com

C&D Technologies Inc.
3400 E Britannia Drive, Tucson,
Arizona 85706, USA
Tel: +1 (800) 547-2537
Fax: +1 (520) 741-4598
email: sales@cdtechno.com