

# PVL Parts Verification Array

Retroreflective Array Sensor Error Proofing and Light-Guided Assembly



- Rugged metal frame with 225 mm (8.9 in) or 500 mm (19.7 in) sensing length; 1.5 m (4.9 ft) sensing range using included retroreflective tape (up to 6 m (20 ft) range when used with multiple BRT-84X84A retroreflectors)
- Highly visible green pick arrow
- Red mis-pick arrow
- Flexible mounting options; rugged steel mounting brackets
- Fast response time—excellent for part detection applications



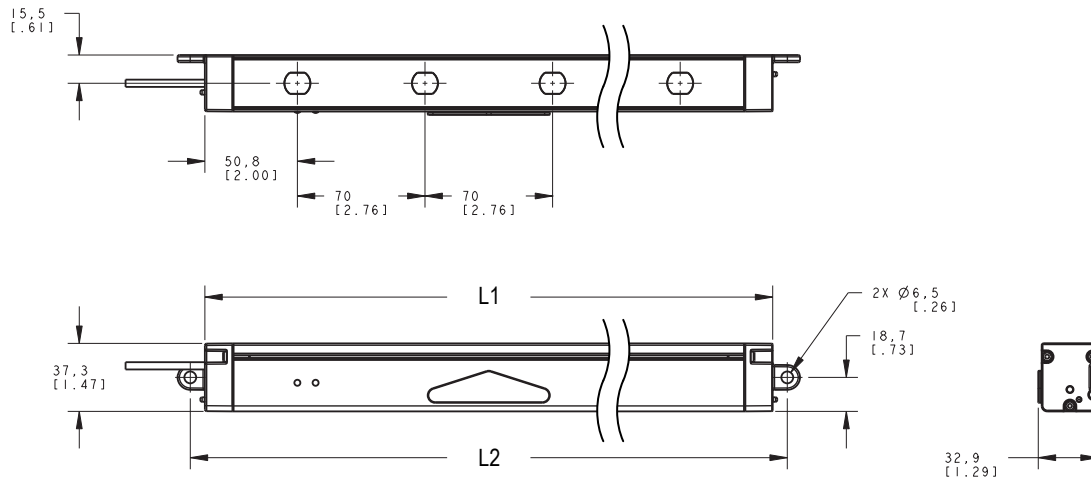
**WARNING: Not To Be Used for Personnel Protection**

Never use this device as a sensing device for personnel protection. Doing so could lead to serious injury or death. This device does NOT include the self-checking redundant circuitry necessary to allow its use in personnel safety applications. A sensor failure or malfunction can cause either an energized or de-energized sensor output condition.

## Models

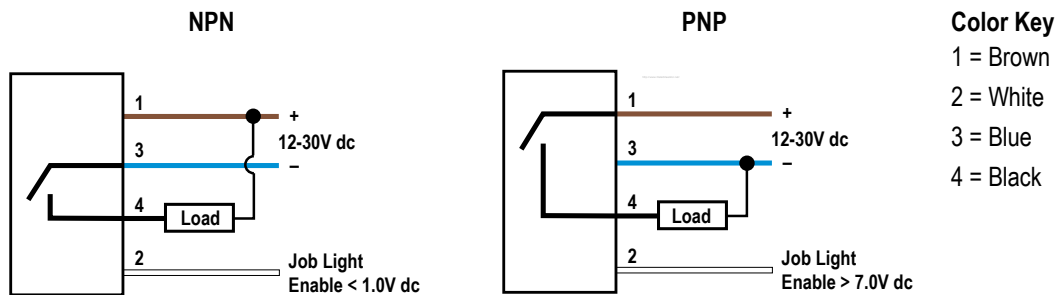
Model Number	Description	Cable	Output
PVL225P	225 mm (8.9 in) length, with up to 1.5 m (4.9 ft) separation between sensor and retroreflective tape (included)	2 m (6.5 ft), 4 wire unterminated cable	PNP
PVL225N			NPN
PVL225PQ		2 m (6.5 ft), cable terminated in 12 mm QD	PNP
PVL225NQ			NPN
PVL500P	500 mm (19.7 in) length with up to 1.5 m (4.9 ft) separation between sensor and retroreflective tape (included)	2 m (6.5 ft), 4 wire unterminated cable	PNP
PVL500N			NPN
PVL500PQ		2 m (6.5 ft), cable terminated in 12 mm QD	PNP
PVL500NQ			NPN

## Dimensions



Model	L1	L2
PVL225	311.5 mm (12.26 in)	327.5 mm (12.89 in)
PVL500	592 mm (23.31 in)	608 mm (23.94 in)

## Wiring Diagram

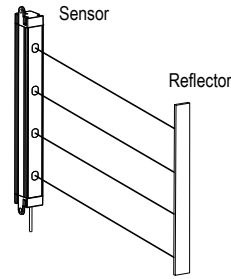


**NOTE:** Pin 5 (center) is not used.

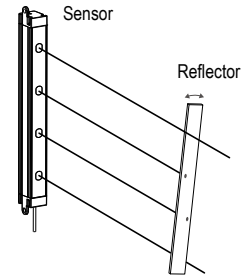
## Installation

Multiple sensors located farther than the sensor's maximum range from one another are unlikely to cause crosstalk problems. However, when multiple sensors are mounted in a confined area, take care to avoid crosstalk between them. Make sure that the sensor's beams fall in the center of the reflector.

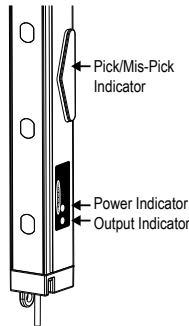
**Correct Alignment**



**Incorrect Alignment**



**Status Indicators/Troubleshooting**



Indicator	Condition	Description
#1	Steady Yellow	Output is active
	OFF	Output is inactive
#2	Steady Green	Power is ON and system is OK
	OFF	Power is OFF

**Specifications**

**Supply Voltage**

12 to 30V dc (10% maximum ripple)

**Supply Current**

**PVL225:**

< 140 mA max current at 12V dc (exclusive of load)

< 70 mA max current at 30V dc (exclusive of load)

**PVL500:**

< 220 mA max current at 12V dc (exclusive of load)

< 100 mA max current at 30V dc (exclusive of load)

**Supply Protection Circuitry**

Protected against reverse polarity and transient voltages

**Output Rating**

**Maximum Load:** 150 mA

**ON-state saturation voltage:**

PNP: < 2V at 10 mA dc; < 2.5V at 150 mA dc

NPN: < 1.5V at 10 mA dc; < 2.0V at 150 mA dc

**OFF-state leakage current:** <10 µA at 30V dc

**Indicators**

**Job ("Pick") Indicator:** Green

**Mis-pick Indicator:** Flashing Red

**Green LED:** Power ON/OFF

**Yellow LED:** Output ON/OFF

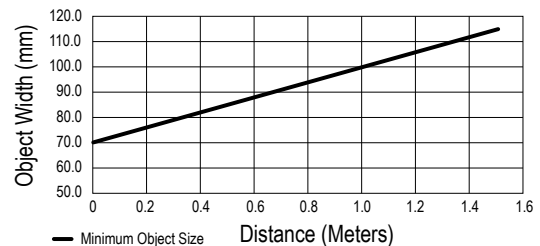
**Output Response Time**

Less than 2 milliseconds ON and OFF

**Connections**

2m (6.5 ft) PVC integral cable with unterminated, or 2m (6.5 ft) cable with 12 mm QD

**Minimum Object Detection Size**



**Environmental Rating**

IP50

**Operating Conditions**

**Temperature:** 0° to +50° C (+32° to +122° F)

**Humidity:** 90% at 50° C max. relative humidity (non-condensing)

**Storage:** -40° to +70° C (-40° to +158° F)

**Construction**

**Housing:** aluminum anodized

**Translucent dome:** polycarbonate

**Vibration and Mechanical Shock**

All models meet Mil. Std. 202F requirements method 201A (vibration: 10 to 60 Hz max., double amplitude)

**Beam Spacing**

70 mm

PVL225: 4 beams

PVL500: 8 beams

**Sensing Range**

1.5 m (4.9 ft) with retroreflective tape

0.06 in. maximum acceleration 10G). Also meets IEC 947-5-2; 30G 11 ms duration, half sine wave.

**Certifications**

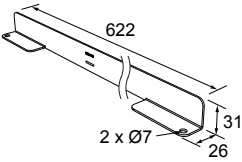
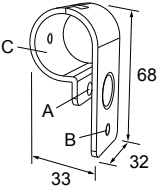
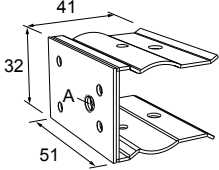


**Quick-Disconnect (QD) Cordsets**

4-Pin Threaded M12/Euro-Style Cordsets				
Model	Length	Style	Dimensions	Pinout
MQDC-406	1.83 m (6 ft)	Straight		<p>1 = Brown 2 = White 3 = Blue 4 = Black</p>
MQDC-415	4.57 m (15 ft)			
MQDC-430	9.14 m (30 ft)			
MQDC-450	15.2 m (50 ft)			
MQDC-406RA	1.83 m (6 ft)	Right-Angle		<p>1 = Brown 2 = White 3 = Blue 4 = Black</p>
MQDC-415RA	4.57 m (15 ft)			
MQDC-430RA	9.14 m (30 ft)			
MQDC-450RA	15.2 m (50 ft)			

**Mounting Brackets**

<p><b>SMBPVL1</b></p> <ul style="list-style-type: none"> <li>Right-angle bracket for mounting the pick-to-light array</li> <li>7 mm mounting hole</li> <li>14 gauge cold rolled steel</li> </ul> <p>A = ø 3, B = ø 7, C = ø 4.8</p>	<p><b>SMBPVL2-225</b></p> <ul style="list-style-type: none"> <li>Flat bracket for mounting reflector inside bin</li> <li>7 mm mounting hole</li> <li>14 gauge cold rolled steel</li> <li>Includes retroreflective tape</li> </ul>
<p><b>SMBPVL2-500</b></p> <ul style="list-style-type: none"> <li>Flat bracket for mounting reflector inside bin</li> <li>7 mm mounting hole</li> <li>14 gauge cold rolled steel</li> <li>Includes retroreflective tape</li> </ul>	<p><b>SMBPVL3-225</b></p> <ul style="list-style-type: none"> <li>Right-angle bracket for mounting reflector outside bin</li> <li>7 mm mounting hole</li> <li>14 gauge cold rolled steel</li> <li>Includes retroreflective tape</li> </ul>

<p><b>SMBPVL3-500</b></p> <ul style="list-style-type: none"> <li>• Right-angle bracket for mounting reflector outside bin</li> <li>• 7 mm mounting hole</li> <li>• 14 gauge cold rolled steel</li> <li>• Includes retroreflective tape</li> </ul> 	<p><b>SMBPVL4</b></p> <ul style="list-style-type: none"> <li>• 28 mm tubular mount bracket for mounting outside bin</li> <li>• Clearance for M6 (1/4 in) hardware</li> <li>• Painted cold rolled steel</li> </ul> <p>A = <math>\varnothing</math> M6 <math>\times</math> 1, B = <math>\varnothing</math> M6 <math>\times</math> 1, C = <math>\varnothing</math> 28</p> 
<p><b>SMBPVL5</b></p> <ul style="list-style-type: none"> <li>• 28 mm tubular mount bracket for mounting inside bin</li> <li>• Clearance for M6 (1/4 in) hardware</li> <li>• Painted cold rolled steel</li> </ul> <p>A = <math>\varnothing</math> M6 <math>\times</math> 1 ISO 6H</p> 	

### Retroreflectors

Model	Reflectivity Factor	Range	Size
<b>Replacement Tape</b> BRT-THG-1-100	0.7	1.5 m (4.9 ft)	25 mm (1 in) wide 2.5 m (8.2 ft) long
<b>Long Range Reflectors</b> BRT-84X84A	2.0	6 m (19.7 ft)	84x84 mm

### Banner Engineering Corp Limited Warranty

Banner Engineering Corp. warrants its products to be free from defects in material and workmanship for one year following the date of shipment. Banner Engineering Corp. will repair or replace, free of charge, any product of its manufacture which, at the time it is returned to the factory, is found to have been defective during the warranty period. This warranty does not cover damage or liability for misuse, abuse, or the improper application or installation of the Banner product.

**THIS LIMITED WARRANTY IS EXCLUSIVE AND IN LIEU OF ALL OTHER WARRANTIES WHETHER EXPRESS OR IMPLIED (INCLUDING, WITHOUT LIMITATION, ANY WARRANTY OF MERCHANTABILITY OR FITNESS FOR A PARTICULAR PURPOSE), AND WHETHER ARISING UNDER COURSE OF PERFORMANCE, COURSE OF DEALING OR TRADE USAGE.**

This Warranty is exclusive and limited to repair or, at the discretion of Banner Engineering Corp., replacement. **IN NO EVENT SHALL BANNER ENGINEERING CORP. BE LIABLE TO BUYER OR ANY OTHER PERSON OR ENTITY FOR ANY EXTRA COSTS, EXPENSES, LOSSES, LOSS OF PROFITS, OR ANY INCIDENTAL, CONSEQUENTIAL OR SPECIAL DAMAGES RESULTING FROM ANY PRODUCT DEFECT OR FROM THE USE OR INABILITY TO USE THE PRODUCT, WHETHER ARISING IN CONTRACT OR WARRANTY, STATUTE, TORT, STRICT LIABILITY, NEGLIGENCE, OR OTHERWISE.**

Banner Engineering Corp. reserves the right to change, modify or improve the design of the product without assuming any obligations or liabilities relating to any product previously manufactured by Banner Engineering Corp.