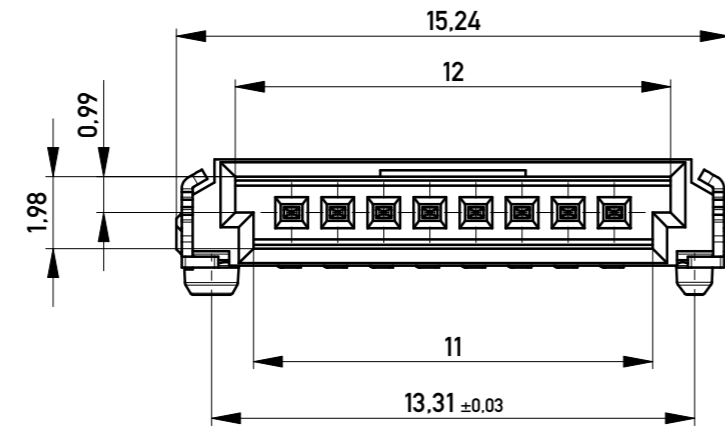
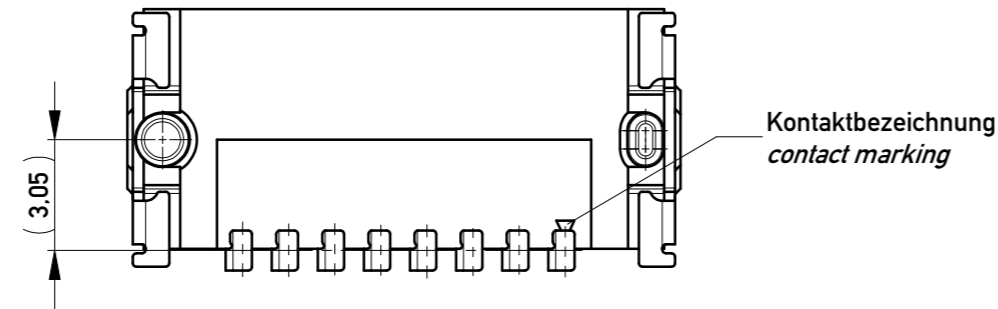
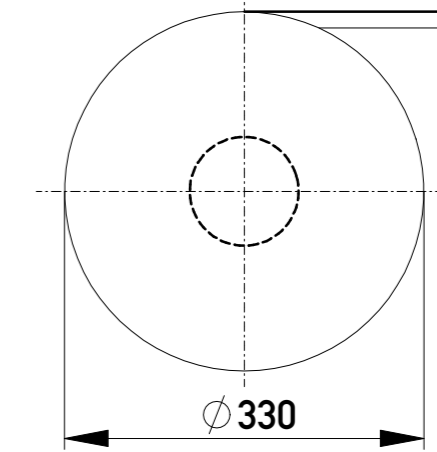


Verpackt in Gurtverpackung
 Tape on Reel Packaging
 Verpackungseinheit: 1000 Stück
 Packaging unit: 1000 pcs



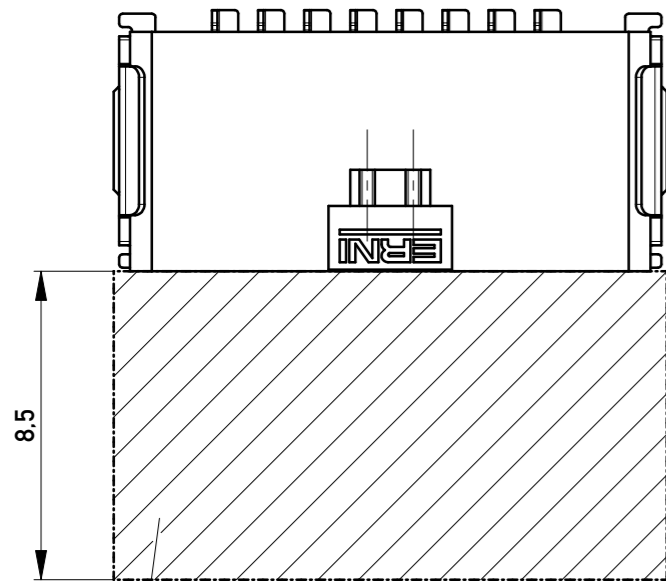
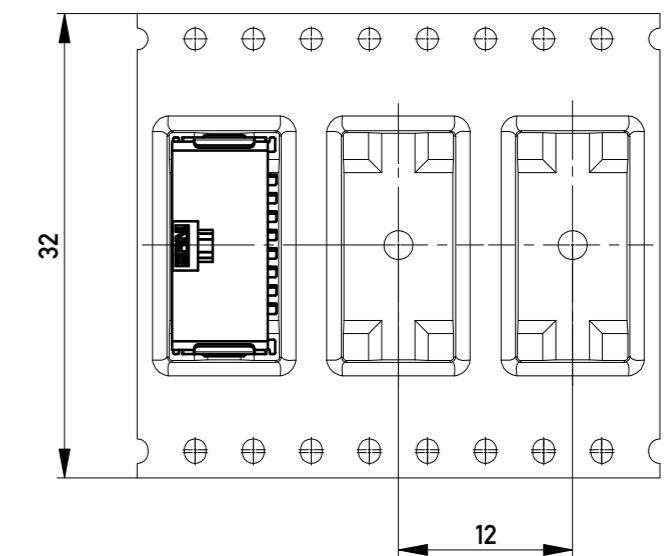
Anforderungsstufe 1
 Performance Level 1

Kontaktbereich vergoldet
 Mating Area gold plating

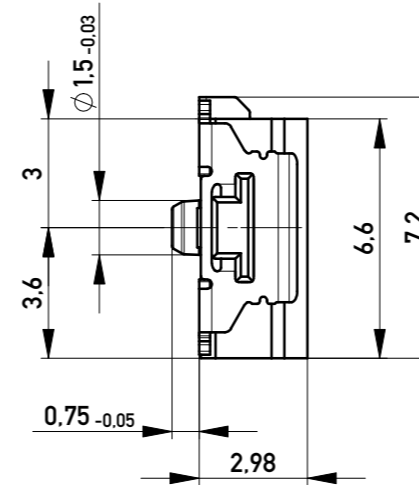
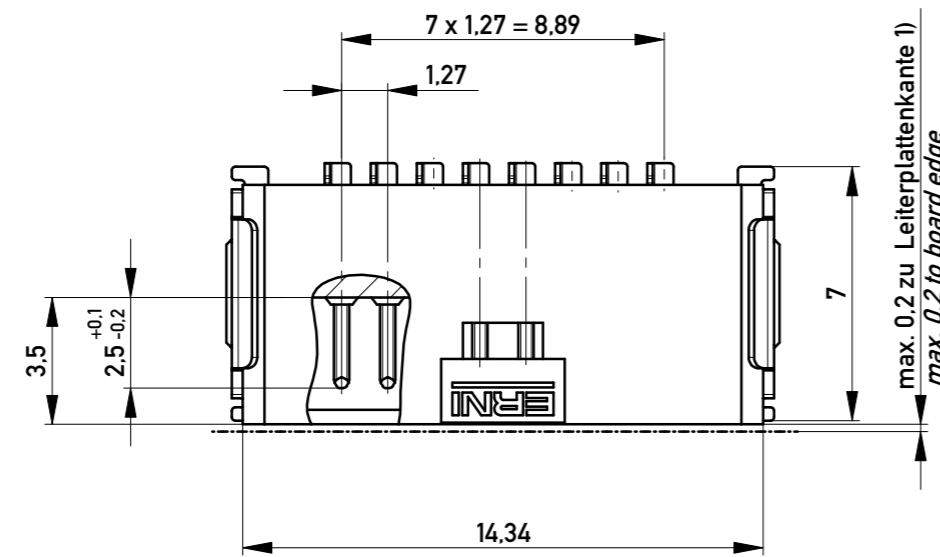
Anschlussbereich verzinkt 4-6 µm
 Terminal Area 4-6 µm tin plating

Koplanarität der Anschlüsse ≤ 0,1 mm
 Coplanarity Area of Termination ≤ 0,1 mm

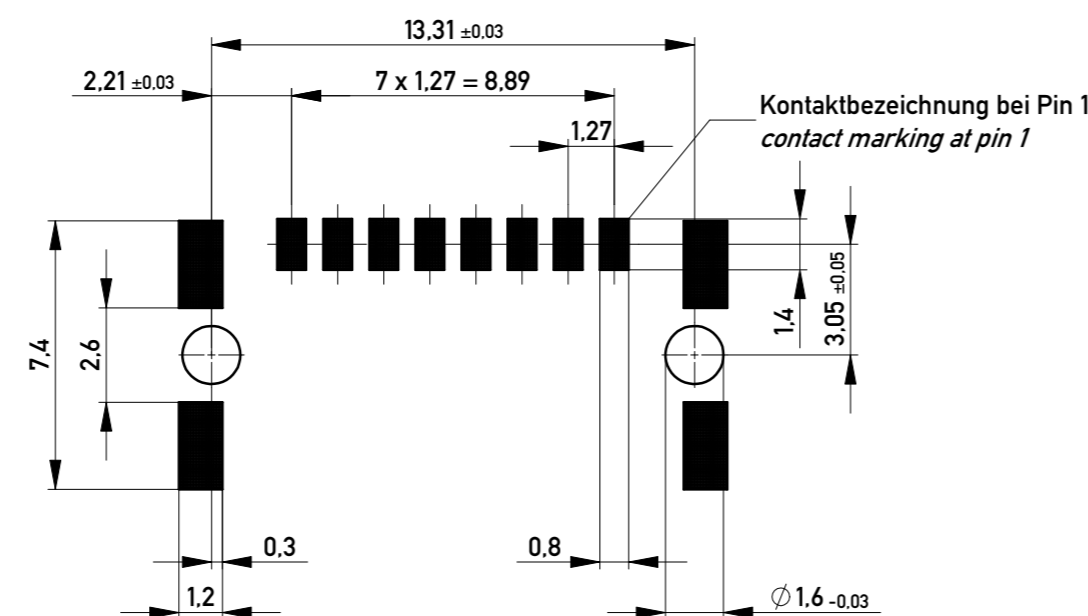
Abspulrichtung - Reel off Direction



Sperrfläche für Leiterbahnen
 gültig bei Verwendung von
 Gegenstecker Federleiste 90°
 in SKV Ausführung
 Restricted area for conductors
 valid for use by mating
 female connector 90°
 in IDC version



Leiterplatten-Layout für SMT
 PCB-Layout for SMT



1) gültig bei Verwendung von Gegenstecker Federleiste 90° in SMD Ausführung
 valid for use by mating female connector 90° in SMD version

Information:		Tolerances	Scale 5:1
All rights reserved. Only for Information. To ensure that this is the latest version of this drawing, please contact one of the ERNI companies before using.		All Dimensions in mm	Designation
Subject to modification without prior notice. Drawing will not be updated.		www.ERNI.com	M 1,27 SRC A, 8-polig BA1
9	14.05.2013		100200100003
Index	Date		Class SRCA
			K A2

Copyright by ERNI GmbH
 Proprietary notice pursuant to ISO 16949 to be observed.