

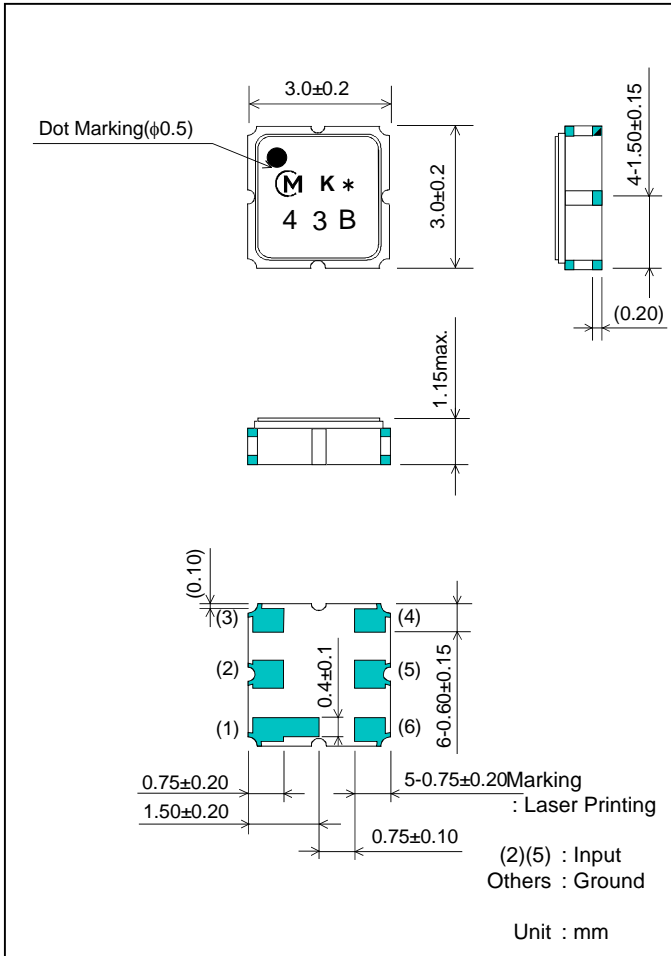
# SAW RESONATOR FOR RKE

Murata part number : SARCC433M92KX□0 series

## Features

- Lead free component (RoHS compliant).
- Passivation layer : SiO<sub>2</sub>
- AECQ200 compliant

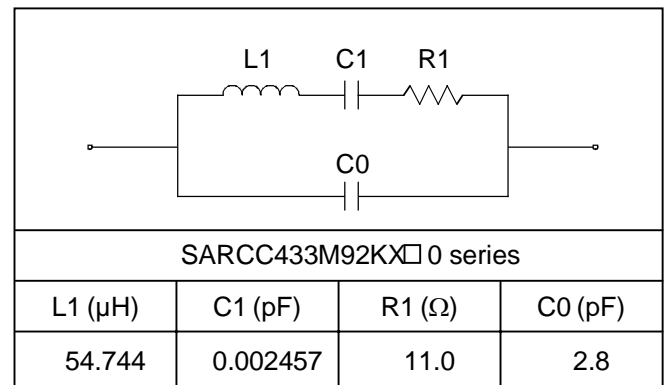
## Package Dimensions



## Specification

Item	Specification(25±2°C)
Resonant Frequency	
SARCC433M92KXD0	433.920MHz ±50 ppm
SARCC433M92KXL0	433.920±0.050MHz
SARCC433M92KXM0	433.920±0.075MHz
Resonant Loss	1.4dB max.
Parallel Capacitance at 1MHz	2.7±0.5pF
Operating Temperature Range	-40 to +85°C
Storage Temperature Range	-40 to +85°C
D. C. Voltage between the terminals	3V(max.)
Frequency Temperature Coefficient	-0.016±0.003 ppm/°C <sup>2</sup>
Frequency Aging	-50 ppm/10yr

## Equivalent Circuit

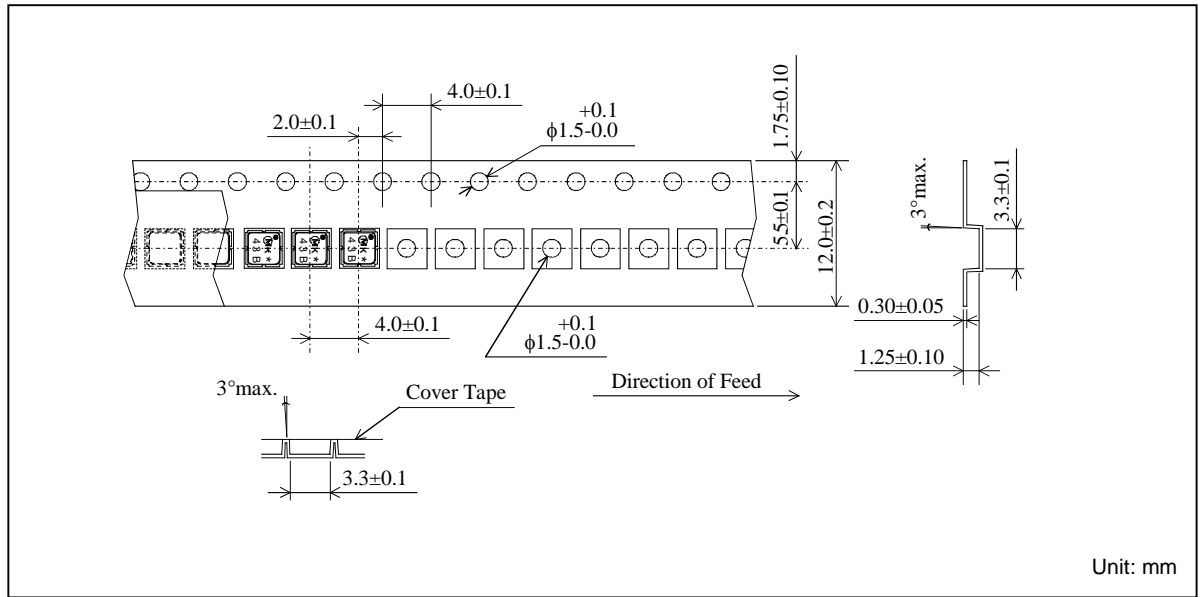


- This PDF Datasheet is downloaded from the website of Murata Manufacturing Co., Ltd. Therefore, it's specifications are subject to change or our products in it may be discontinued without advance notice. Please check with our sales representatives or product engineers before ordering.

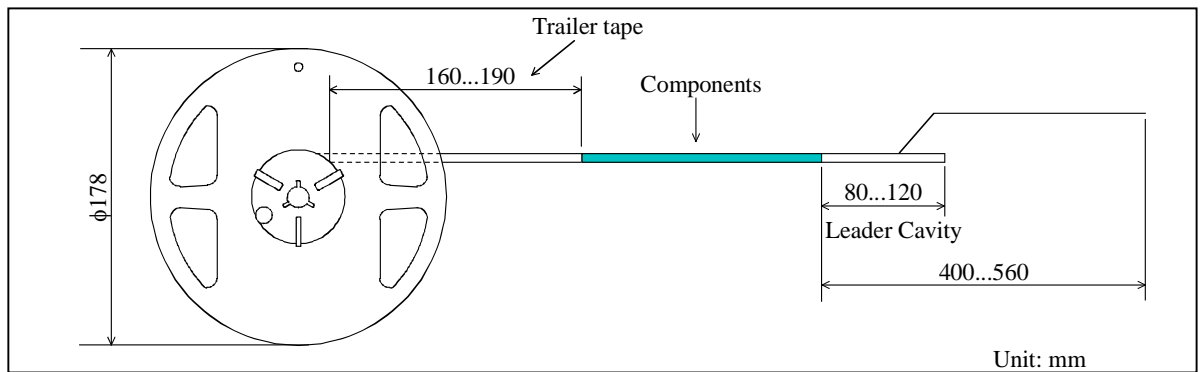
# SAW RESONATOR FOR RKE

Murata part number : SARCC433M92KX□0 series

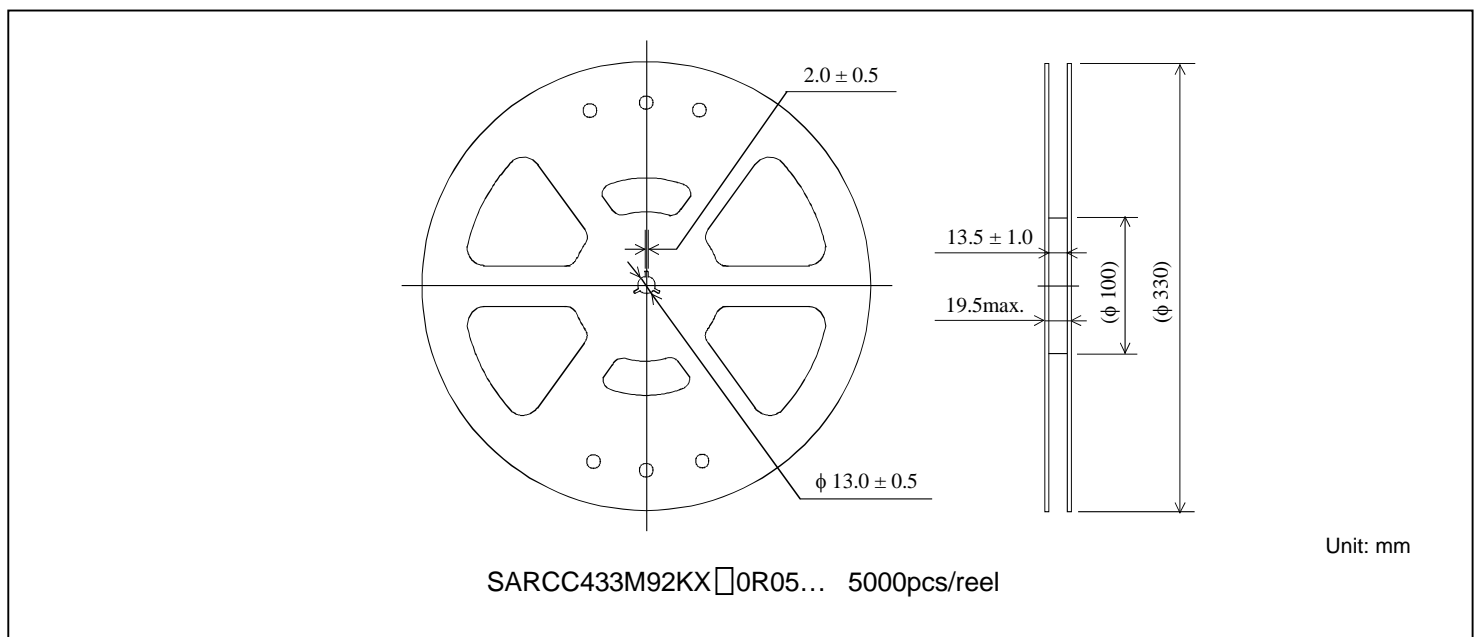
## Dimensions of Carrier Tape



## Dimensions of Tape



## Dimensions of Reel

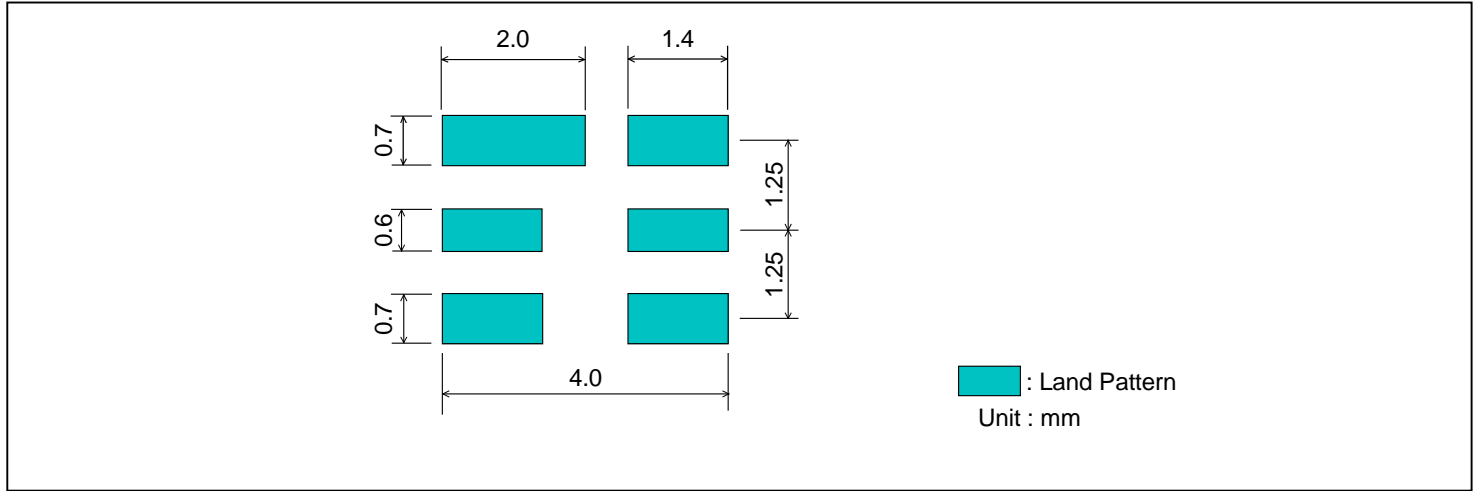


- This PDF Datasheet is downloaded from the website of Murata Manufacturing Co., Ltd. Therefore, it's specifications are subject to change or our products in it may be discontinued without advance notice. Please check with our sales representatives or product engineers before ordering.

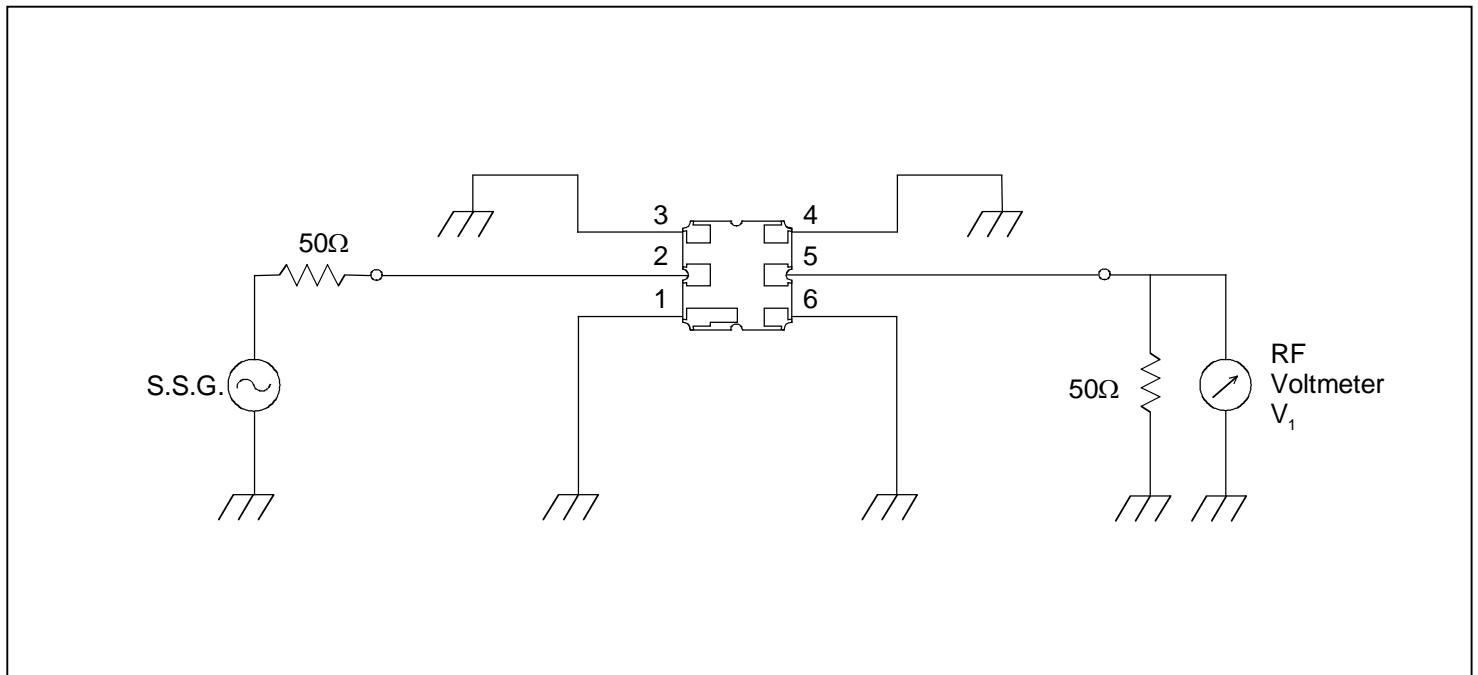
# SAW RESONATOR FOR RKE

Murata part number : SARCC433M92KX□0 series

## Recommended Land Pattern



## Test Circuit



- This PDF Datasheet is downloaded from the website of Murata Manufacturing Co., Ltd. Therefore, it's specifications are subject to change or our products in it may be discontinued without advance notice. Please check with our sales representatives or product engineers before ordering.