

# KT Series Right Angle Sealed Tact Switch for SMT



## Features/Benefits

- High shear force with extended bracket
- Easy to pick & place with top plate tab
- Rubber or hard plastic actuator
- Press fit or snap fit caps

## Typical Applications

- Telecommunications
- Computer products
- Instrumentation
- Power supply

## Specification

CONTACT ARRANGEMENT: SPST, N.O.  
TERMINALS: Gullwing type for SMT

## Electrical

CONTACT RATING: 1.0 VA max. @ 50 V AC or DC max.  
ELECTRICAL & MECHANICAL LIFE: 100,000 make-and-break cycles at full load.  
DIELECTRIC STRENGTH: 250 Vrms min. @ sea level.  
CONTACT RESISTANCE: Below 50 mΩ typ. initial @ 2-4 V DC, 100 mA.  
INSULATION RESISTANCE: 10<sup>9</sup> Ω min.

**NOTE:** Specifications listed above are for switches with standard options.  
For information on specific and custom switches, consult Customer Service Center.

## Environmental

OPERATING TEMPERATURE: -40°C to 90°C

## Process

SOLDERABILITY: Per MIL-STD-202F method 208D, or EIA RS-186E method 9 (1 hour steam aging).  
DEGREE OF PROTECTION: IP57; protection against harmful dust deposits, full-scale voltage protection, temporary immersion.

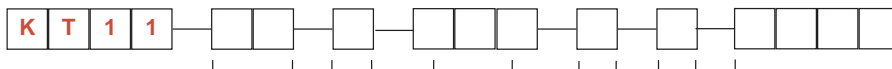
## Packaging

Switches supplied in rigid dispensing tubes or anti-static tape and reels per EIA 481-2 (800 pieces per reel.). Tape and cover strip are conductive for use near statically sensitive components.

## How To Order

Our easy build-a-switch concept allows you to mix and match options to create the switch you need. To order, select desired option from each category and place it in the appropriate box.

## SWITCH



### Actuator

- B0** Soft, flush
- B1** Soft, 0,64 mm
- B2** Soft, 2,24 mm
- P2** Hard, 2,36 mm
- P3** Hard, 1,50 mm
- P4** Hard, 3,96 mm
- S1** ø0,1 mm for caps
- S2** ø0,14 mm with anti-rotation

### Orientation

- S** Side actuated

### Mounting Bracket

- AM** Right angle
- A1M** Right angle with front solder pad
- A2M** Right angle with front solder pad pick & place tab
- A3M** Right angle with pick & place tab

### Contact Plating

- 1** Silver
- 3** Gold

### Actuating Force

- 3** 3 N (300 grams)

### Color

- (NONE)** No cap
- 0380** Snap fit, high temperature, ivory, ø8 mm

## BUTTON

To order buttons in bulk



### Button Type

- 02** Press fit, ø4 mm
- 03** Snap fit, high temperature, ø8 mm

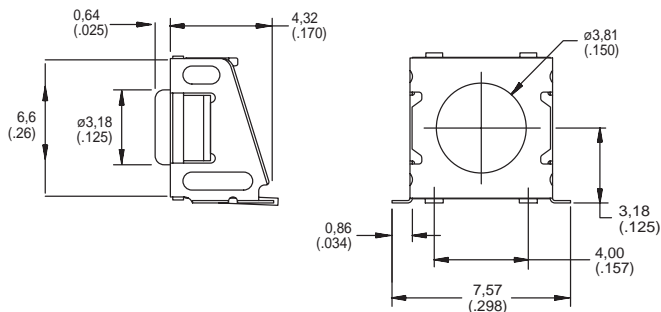
### Button Color

- 90** Black
- 80** Ivory

# KT Series Right Angle Sealed Tact Switch for SMT

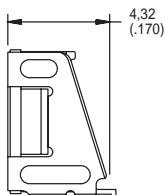
SERIES 

## KT11

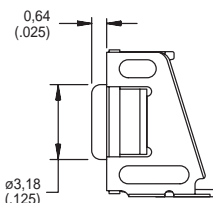


ACTUATOR 

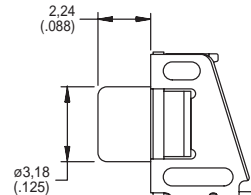
### B0 SOFT, FLUSH



### B1 SOFT, 0,64 mm

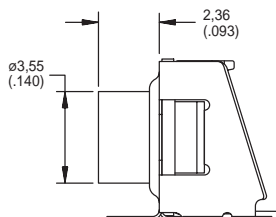


### B2 SOFT, 2,24 mm

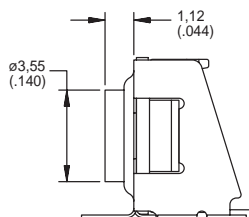


B0, B1 & B2 available with A & A1 mounting bracket only.

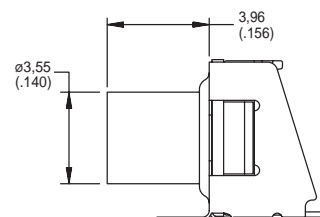
### P2 HARD, 2,36 mm



### P3 HARD, 1,50 mm

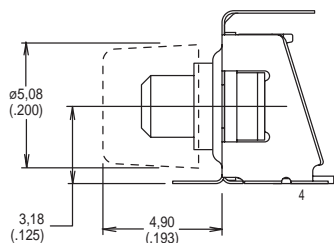


### P4 HARD, 3,96 mm

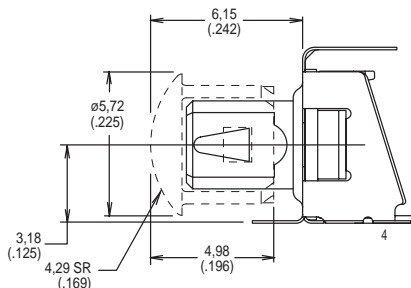


P4 recommended with A1 & A2 mounting bracket only.

### S1 $\phi 0,1$ mm FOR PRESS FIT CAPS



### S2 $\phi 0,14$ mm FOR SNAP FIT CAPS



S1 & S2 preferred with A1 & A2 mounting bracket only.



Dimensions are shown: mm (inch)  
Dimensions subject to change

# KT Series Right Angle Sealed Tact Switch

## ORIENTATION



**S** SIDE ACTUATED

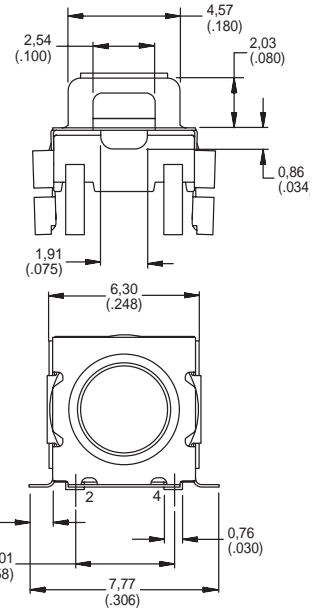
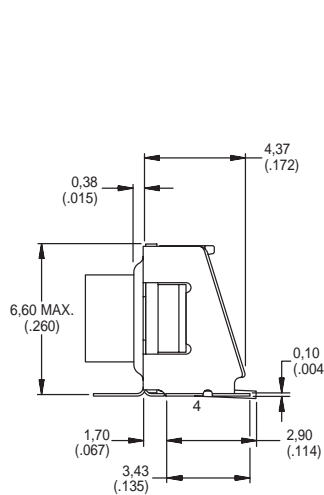
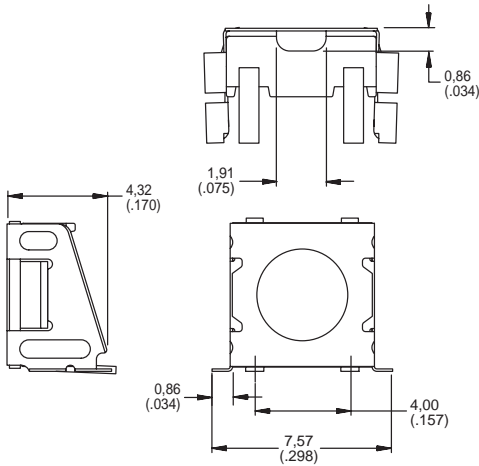
## MOUNTING BRACKET



**AM** RIGHT ANGLE

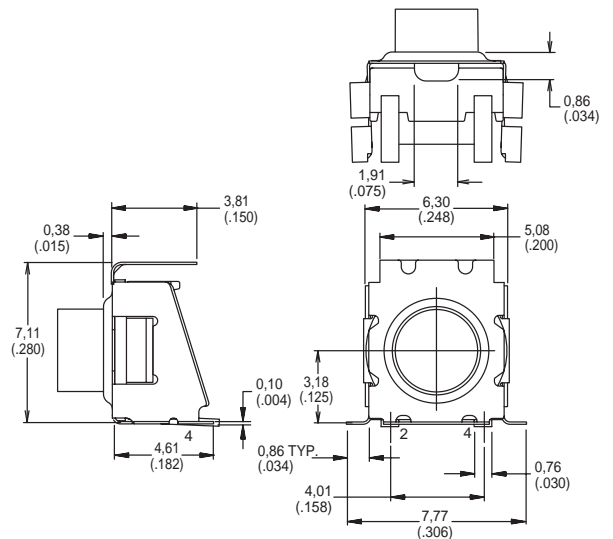
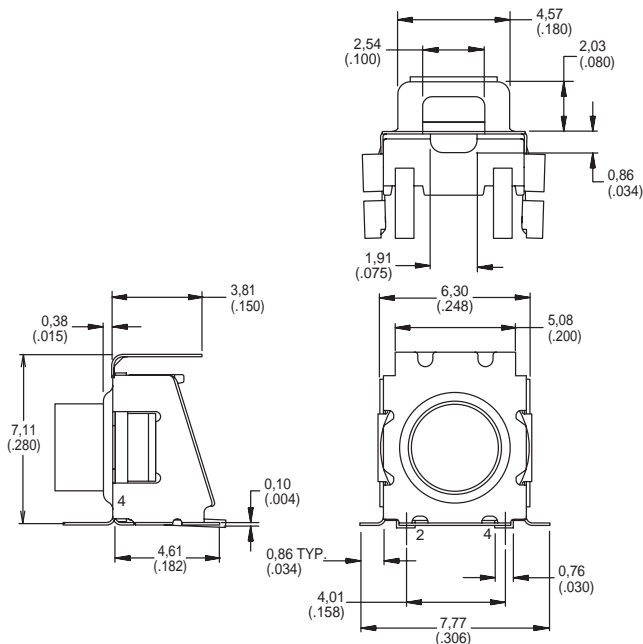
**A1M** RIGHT ANGLE WITH FRONT SOLDER PAD

Tactile Switches



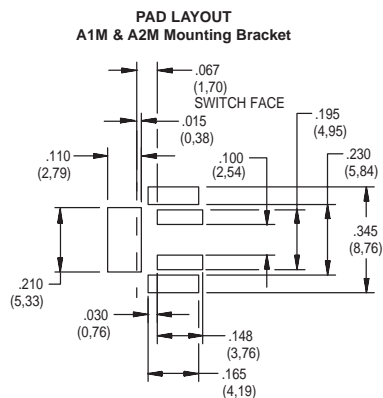
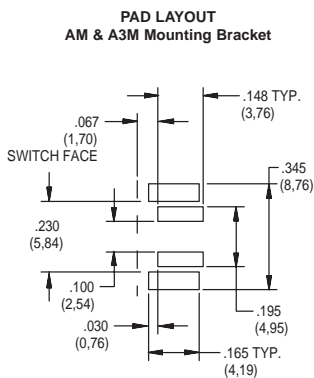
**A2M** RIGHT ANGLE WITH FRONT SOLDER PAD AND PICK & PLACE TAB

**A3M** RIGHT ANGLE WITH PICK & PLACE TAB



# KT Series Right Angle Sealed Tact Switch

## MOUNTING BRACKET



## ACTUATING FORCE

OPTION CODE	FORCE
<b>3</b>	3 N (300 grams)

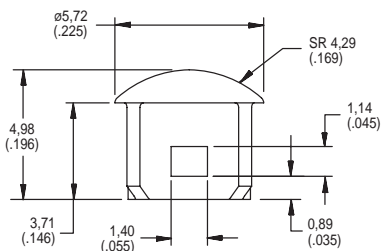
## CONTACT PLATING

OPTION CODE	MATERIAL
<b>1</b>	SILVER
<b>3</b>	GOLD

## BUTTON

**(NONE)** NO BUTTON

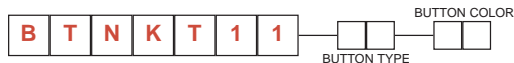
**0380** SNAP FIT, HIGH TEMPERATURE, ivory, Ø8 mm



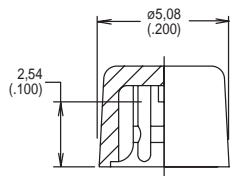
### BUTTON

To order buttons in bulk

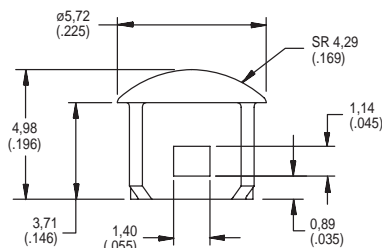
### Button Type



**02** PRESS FIT, ø4 mm



**03** SNAP FIT, HIGH TEMPERATURE, Ø8 mm



### Button Color

OPTION CODE	BUTTON COLOR
<b>90</b>	BLACK
<b>80</b>	IVORY

