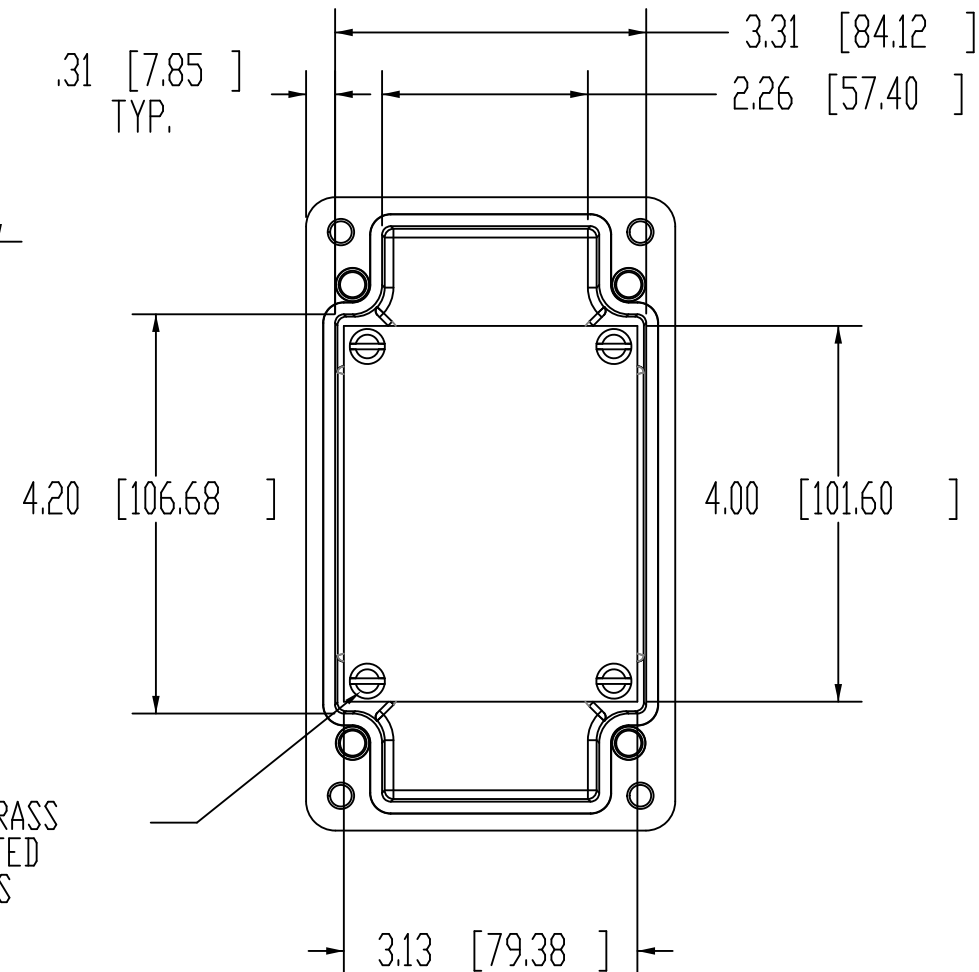
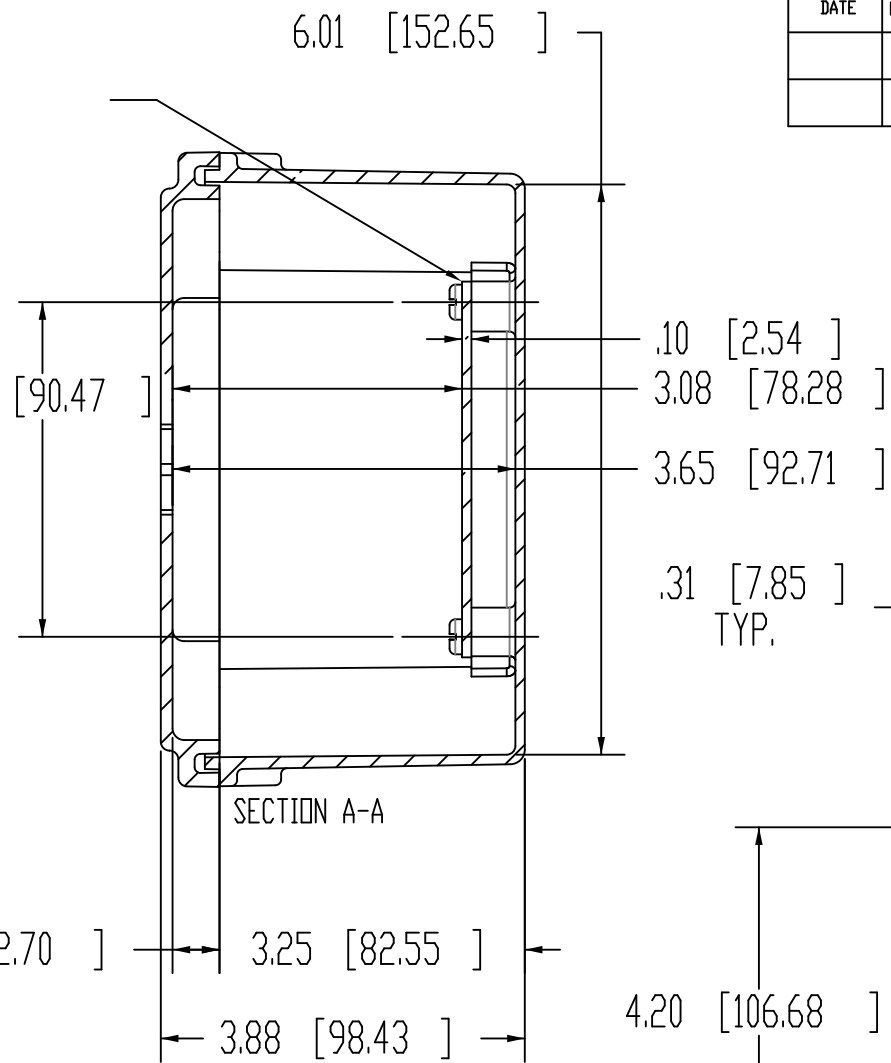
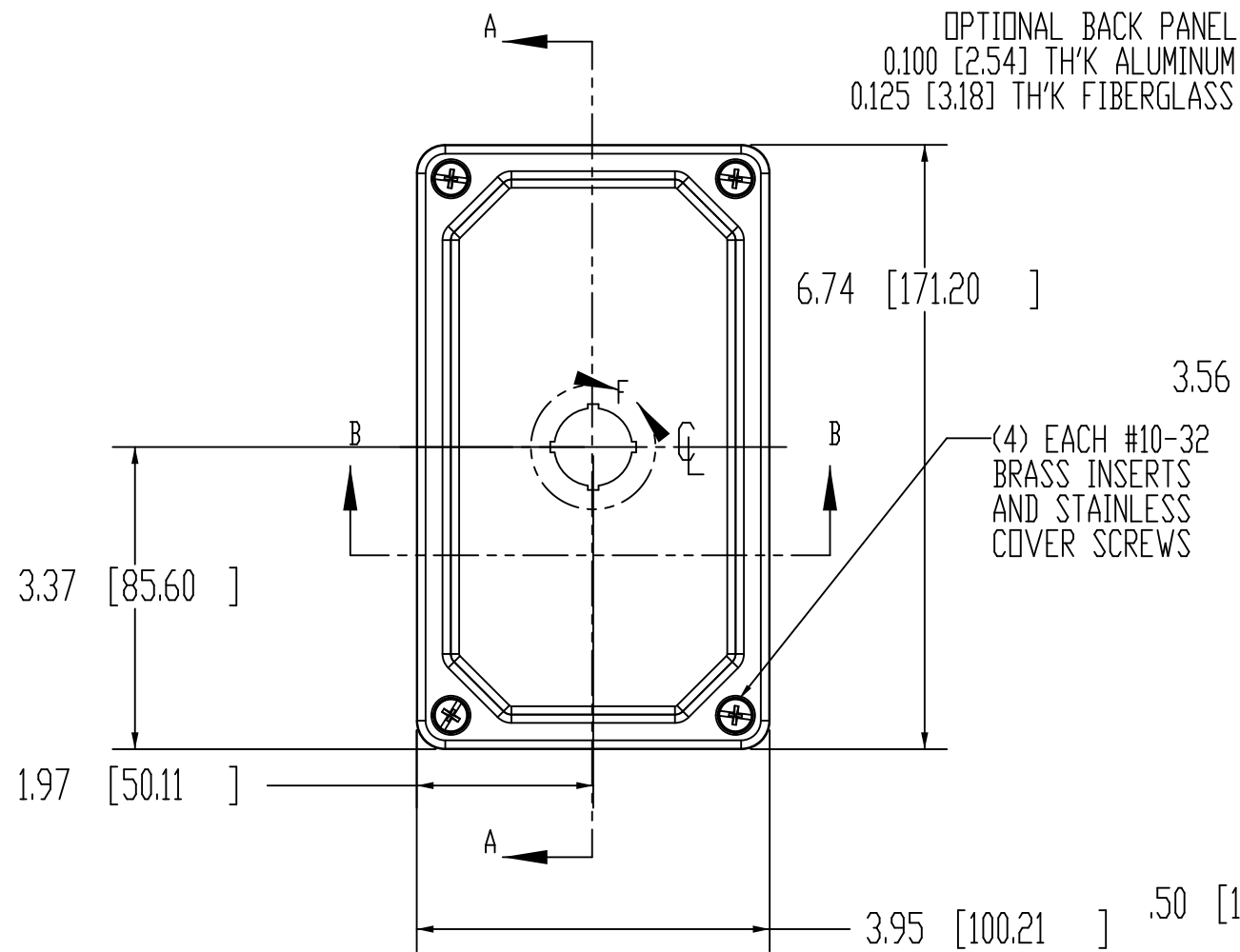
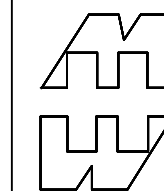
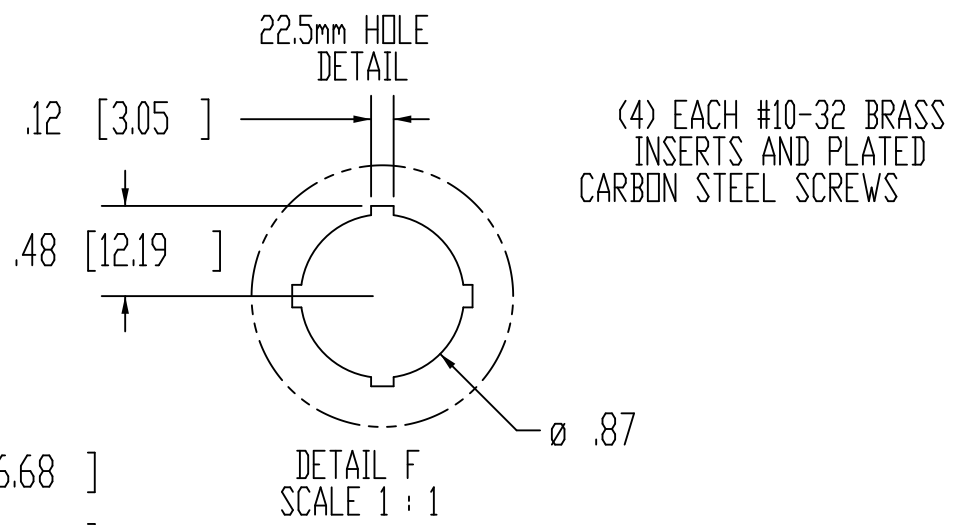
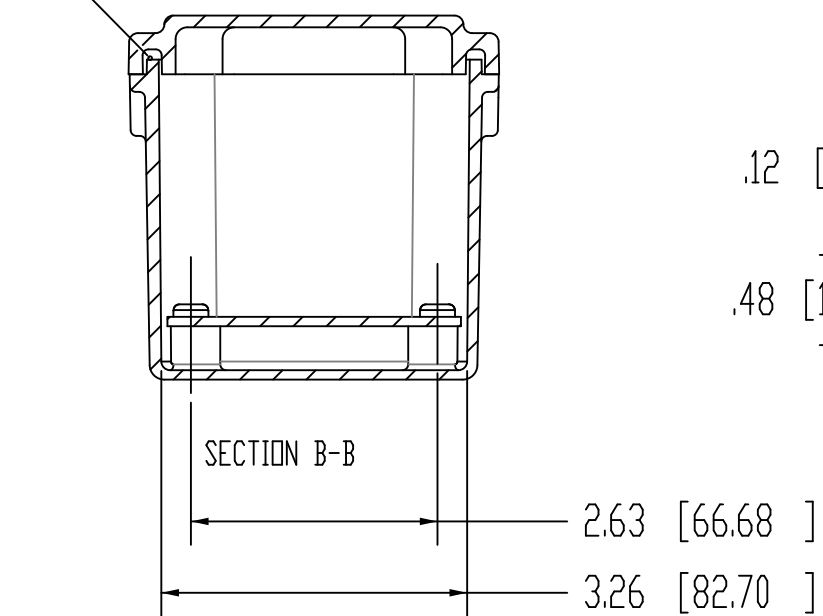


DATE	REV.	DESCRIPTION	DR	CK	REL



CLOSED CELL NEOPRENE GASKET



PART No. PJ744P221  
 for more information visit  
[www.hamfmg.com](http://www.hamfmg.com)  
 Data subject to change without notice  
 Drawing Not to Scale