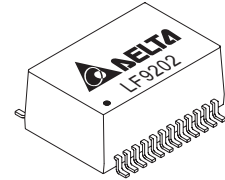




# 100/1000BASE-T TRANSFORMER MODULES

## Networking Components

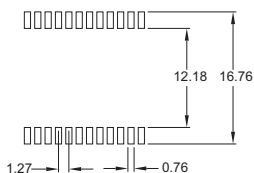
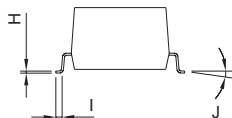
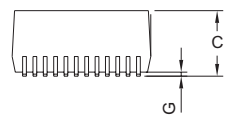
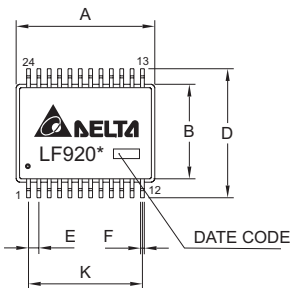


### ELECTRICAL CHARACTERISTICS @25°C

Rise Time & Fall Time @5.0ns (Max), Hi-Pot Test @60Sec, 1500Vrms, OCL @8mA DC Bias 350uH (Min)														
Model	Insertion Loss (dB Max)		Return Loss (dB Min)					Cross Talk (dB Min)			Com. To Com. Rejection Ratio (dB Min)	Diff. To Com. Mode Rejection (dB Min)		Turns Ratio TX/RX (±5%)
	1-100	100-125	1-30	40	50	60-80	100	30	60	100	1-100	1-60	60-100	1
	MHz		MHz					MHz			MHz	MHz		MHz
LF9202	-1.0	-1.2	-18	-14.5	-13.5	-12	-10	-45	-40	-35	-30	-40	-30	1:1 / 1:1
LF9203	-1.0	-1.2	-18	-14.5	-13.5	-12	-10	-45	-40	-35	-30	-40	-30	1:1 / 1:1

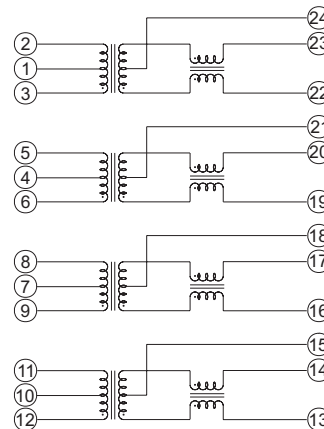
### MECHANICAL CONSTRUCTION

### SCHEMATICS

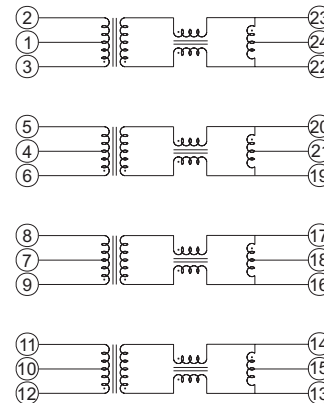


UNIT : mm / inch  
 A = 17.00 ± 0.254 / 0.669 ± 0.010  
 B = 12.00 ± 0.254 / 0.472 ± 0.010  
 C = 8.35 ± 0.254 / 0.329 ± 0.010  
 D = 16.00 ± 0.254 / 0.630 ± 0.010  
 E = 1.27 / 0.050 (TYP)  
 F = 0.46 ± 0.127 / 0.018 ± 0.005  
 G = 0.254 ± 0.127 / 0.010 ± 0.005  
 H = 0.254 / 0.010 (TYP)  
 I = 1.00 ± 0.254 / 0.039 ± 0.010  
 J = 0°~8°  
 K = 13.97 / 0.550 (TYP)

#### LF9202



#### LF9203



### DELTA ELECTRONICS, INC.

(TAOYUAN PLANT CPBG) 252, SAN YING ROAD, KUEI SAN INDUSTRIAL ZONE, TAOYUAN SHIEN, TAIWAN, R.O.C.  
 TEL: 886-3-3591968; FAX: 886-3-3591991  
 Http://www.deltaww.com/products/networking