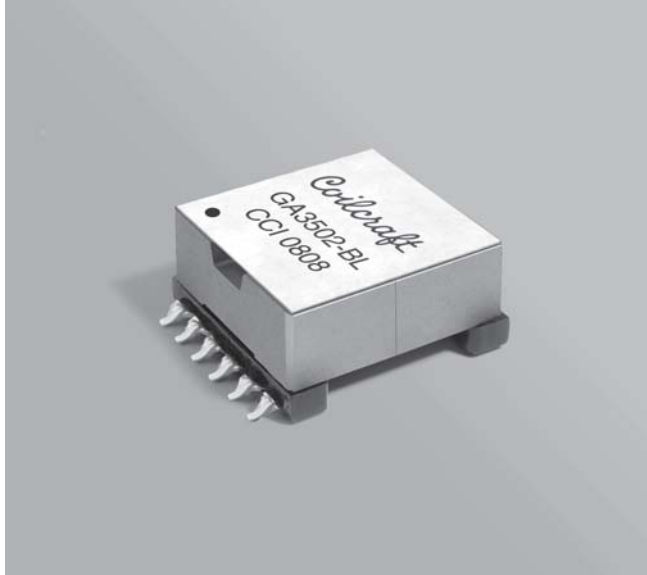




**NEW!**

# Flyback Transformer

For Maxim Off-Line LED Driver



- Designed for PWM Dimming of High-Brightness LEDs
- Bias winding output: 18 V, 20 mA
- 400 V input; 110 V, 0.4 A output
- 1500 Vrms primary and bias to secondary isolation

**Core material** Ferrite

**Terminations** RoHS tin-silver over tin over nickel over phos bronze. Other terminations available at additional cost.

**Weight** 21.3 g

**Ambient temperature** -40°C to +125°C

**Storage temperature** Component: -40°C to +125°C.  
Packaging: -40°C to +80°C

**Resistance to soldering heat** Max three 40 second reflows at +260°C, parts cooled to room temperature between cycles

**Moisture Sensitivity Level (MSL)** 1 (unlimited floor life at <30°C / 85% relative humidity)

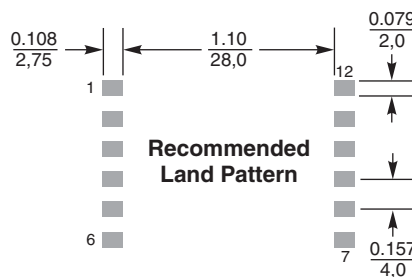
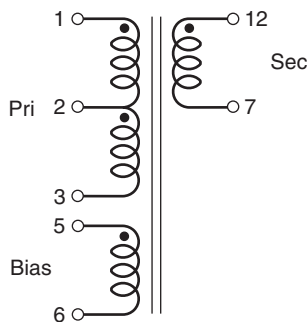
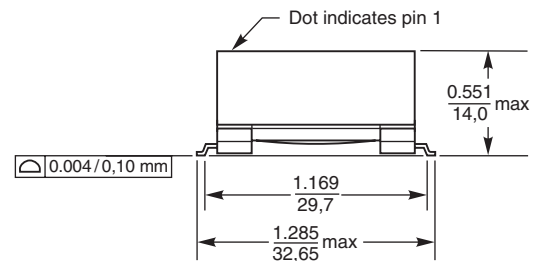
**Failures in Time (FIT) / Mean Time Between Failures (MTBF)**  
38 per billion hours / 26,315,789 hours, calculated per Telcordia SR-332

**Packaging** 24 parts per tray

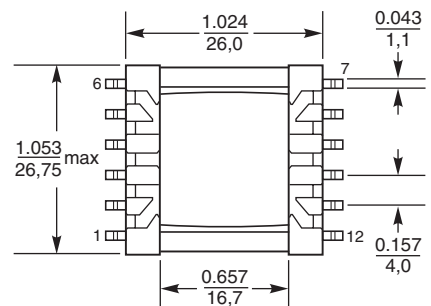
**PCB washing** Only pure water or alcohol recommended

Part number	Inductance at 0 A <sub>dc</sub> <sup>1</sup> ±10% (µH)	Inductance at I <sub>pk</sub> <sup>2</sup> min (µH)	DCR max (Ohms)	Leakage Inductance <sup>3</sup> max (µH)	Turns ratio		I <sub>pk</sub> <sup>2</sup> (A)	Output <sup>4</sup>
					pri : sec	pri : bias		
GA3502-BL	800	720	1.283 (pins 1-3) 0.146 (pins 5-6) 0.361 (pins 12-7)	6.60	1 : 0.035	1 : 0.06	0.75	110 V, 0.4 A

1. Inductance is for the primary (pins 1-3), measured at 250 kHz, 0.3 Vrms.
  2. Peak primary current drawn at minimum input voltage.
  3. Leakage inductance is for the primary winding (pins 1-3) with the secondary winding shorted.
  4. Output is for the secondary. Bias winding output is 18 V, 20 mA.
  5. Electrical specifications at 25°C.
- Refer to Doc 362 "Soldering Surface Mount Components" before soldering.



Dimensions are in  $\frac{\text{inches}}{\text{mm}}$



**Coilcraft**® These parts are preproduction products for electrical evaluation only.  
Specification subject to change without notice.

Document 708 Revised 10/28/08

1102 Silver Lake Road Cary, Illinois 60013 Phone 847/639-6400 Fax 847/639-1469

E-mail [info@coilcraft.com](mailto:info@coilcraft.com) Web <http://www.coilcraft.com>