

### Part Numbering System

Example

D
SF(SR or BS)
□□□.□□
A(B)
□□
—
T(N or S)
D(S)
□□  
(1)
(2)
(3)
(4)
(5)
(6)
(7)
(8)

Remarks:

(1) Manufacture's Logo

(2) Product Name

Code	Name
SF	SAW Filter
SR	SAW Resonator
BS	SAW Filter for Base Station

(3) Center Frequency(MHz)

(4) Product Type

Name	Code	Type
SF	A	Narrow Band
SF	B	Wide Band
SR	A	One-port
SR	B	Two-port

(5) Series Code or Tolerance Code

Name	Code	Series
SF	01,02...	
Name	Code	Tolerance
SR	01	+/-75KHz
SR	02	+/-100KHz
SR	03	+/-150KHz
SR	04	+/-250KHz
SR	05	+/-500KHz
SR	06	+/-50KHz
SR	07	+/-200KHz

(6) Substrate Material

Code	Material
T	LiTaO <sub>3</sub>
N	LiNbO <sub>3</sub>
S	Quartz

(7) Package Type

Code	Package Type
D	DIP
S	SMD

(8) Package Code

Type	Code	Package
DIP	01	F-11
DIP	02	TO-39/3A
DIP	03	TO-39/3B
DIP	04	TO-39/4
DIP	06	SF-712
DIP	09	33.0x25.4mm
DIP	11	D11
DIP	12	D12
SMD	22	3.0x3.0mm
SMD	31	3.8x3.8mm
SMD	41	4.8x5.2mm
SMD	51	5.0x5.0mm
SMD	53	5.0x3.5mm
SMD	61	19.0x6.5mm
SMD	62	13.3x6.5mm
SMD	63	9.1x4.8mm
SMD	71	7.0x5.0mm

### RF SAW Filter for Cellular Telephone

Part Number	Center Frequency	BW	I.L	Ripple	Rejection	Package	Applications
DSF902.5B01-TS22	902.5MHz	25MHz	2.2dB	1.2dB	30dB	SMD3.0×3.0	GSM
DSF942.5B01-TS22	942.5MHz	35MHz	2.2dB	0.8dB	30dB	SMD3.0×3.0	PDC/EGSM
DSF942.5B02-TS22	942.5MHz	35MHz	3.4dB	1.4dB	50dB	SMD3.0×3.0	PDC/EGSM
DSF942.5B03-TS22	942.5MHz	35MHz	3.2dB	0.7dB	50dB	SMD3.0×3.0	PDC/EGSM
DSF947.5B01-TS22	947.5MHz	25MHz	2.9dB	0.9dB	30dB	SMD3.0×3.0	GSM
DSF836.5B01-TS22	836.5MHz	25MHz	2.2dB	0.9dB	27dB	SMD3.0×3.0	CDMA/AMPS
DSF881.5B01-TS22	881.5MHz	25MHz	2.2dB	0.9dB	26dB	SMD3.0×3.0	CDMA/AMPS
DSF1842.5B01-TS22	1842.5MHz	75MHz	2.5dB	1.0dB	30dB	SMD3.0×3.0	DCS

### IF SAW Filter for Cellular Telephone

Part Number	Center Frequency	BW	I.L	Ripple	Rejection	Package	Applications
DSF400.0A01-SS51	400MHz	+/-83KHz	4.0dB	0.5dB	40dB	SMD5.0×5.0	GSM
DSF360.0A01-SS51	360MHz	315KHz	4.3dB	0.6dB	40dB	SMD5.0×5.0	GSM
DSF282.0A01-SS51	282MHz	+/-65KHz	3.5dB	0.6dB	40dB	SMD5.0×5.0	GSM
DSF246.0A01-SS51	246MHz	+/-80KHz	6.0dB	0.6dB	40dB	SMD5.0×5.0	GSM
DSF85.36A01-SS71	85.36MHz	+/-300KHz	11.5dB	0.5dB	40dB	SMD7.0×5.0	CDMA

### SAW Filter for Cordless Telephone

Part Number	Center Frequency	BW	I.L	Ripple	Rejection	Package	Applications
DSF903.0B01-TD01	903MHz	3.8MHz	3.3dB	0.5dB	40dB	F-11	ISM
DSF903.0B01-TS22	903MHz	3.8MHz	3.3dB	0.5dB	40dB	SMD3.0×3.0	ISM
DSF927.0B01-TD01	927MHz	3.8MHz	3.5dB	0.5dB	40dB	F-11	ISM
DSF927.0B01-TS22	927MHz	3.8MHz	3.5dB	0.5dB	40dB	SMD3.0×3.0	ISM
DSF886.0B01-TD01	886MHz	+/-2MHz	2.8dB	0.5dB	45dB	F-11	CT-1+
DSF886.0B01-TS22	886MHz	+/-2MHz	2.8dB	0.5dB	45dB	SMD3.0×3.0	CT-1+
DSF931.0B01-TD01	931MHz	+/-2MHz	3.0dB	0.5dB	45dB	F-11	CT-1+
DSF931.0B01-TS22	931MHz	+/-2MHz	3.0dB	0.5dB	45dB	SMD3.0×3.0	CT-1+
DSF914.0B01-TD01	914MHz	+/-1MHz	2.8dB	0.5dB	45dB	F-11	CT-1
DSF914.0B01-TS22	914MHz	+/-1MHz	2.8dB	0.5dB	45dB	SMD3.0×3.0	CT-1
DSF959.0B01-TD01	959MHz	+/-1MHz	3.0dB	0.5dB	45dB	F-11	CT-1
DSF959.0B01-TS22	959MHz	+/-1MHz	3.0dB	0.5dB	45dB	SMD3.0×3.0	CT-1
DSF914.5B01-TS31	914.5MHz	+/-1.2MHz	2.8dB	0.5dB	45dB	SMD3.8×3.8	
DSF959.5B01-TS31	959.5MHz	+/-1.2MHz	3.0dB	0.5dB	45dB	SMD3.8×3.8	
DSF915.0B01-TS31	915MHz	+/-3.5MHz	2.9dB	0.5dB	45dB	SMD3.8×3.8	
DSF110.592B01-TD01	110.592MHz	+/-576KHz	3.0dB	--	40dB	F-11	
DSF110.592B02-SD06	110.592MHz	+/-650KHz	10.0dB	--	45dB	SF-712	

## SAW Filter for Wireless Lan

Part Number	Center Frequency	BW	I.L	Ripple	Rejection	Package
DSF374.0B01-NS51	374MHz	+/-7MHz	9.5dB	0.4dB	45dB	SMD5.0×5.0
DSF374.0B02-NS51	374MHz	+/-7MHz	9.8dB	0.5dB	45dB	SMD5.0×5.0

## SAW Filter for Base Station

Part Number	Center Frequency	1dB BW	I.L	Ripple	Rejection	Package
DBS208.0A01-SS62	208MHz	300KHz	5.8dB	1.2dB	50dB	SMD13.3×6.5
DBS208.0B01-NS63	208MHz	800KHz	2.0dB	0.3dB	40dB	SMD9.1×4.8
DBS167.0A01-SS61	167MHz	300KHz	5.5dB	0.6dB	45dB	SMD19.0×6.5
DBS87.0A01-SS61	87MHz	300KHz	5.5dB	0.6dB	53dB	SMD19.0×6.5
DBS238.4A01-SS61	238.4MHz	1MHz	10dB	0.7dB	52dB	SMD19.0×6.5
DBS27.5B01-SD09	27.5MHz	3.22MHz	21dB	0.9dB	60dB	DIP33.0×25.4

## SAW Filter for Low Power System

Part Number	Center Frequency	BW	I.L	Ripple	Rejection	Package	Impedance
DSF410.0B01-TD01	410MHz	+/-2MHz	2.5dB	0.6dB	65dB	F-11	150 Ω
DSF410.0B01-TS31	410MHz	+/-2MHz	2.5dB	0.6dB	65dB	SMD3.8×3.8	150 Ω
DSF410.0B02-TD01	410MHz	+/-2MHz	2.7dB	0.7dB	53dB	F-11	50 Ω
DSF410.0B02-TS31	410MHz	+/-2MHz	2.7dB	0.7dB	53dB	SMD3.8×3.8	50 Ω
DSF412.0B01-TD01	412MHz	+/-2MHz	2.7dB	0.7dB	65dB	F-11	150 Ω
DSF414.0B01-TD01	414MHz	+/-2MHz	2.7dB	0.7dB	65dB	F-11	150 Ω
DSF418.0B01-TD01	418MHz	+/-2MHz	2.5dB	0.6dB	65dB	F-11	150 Ω
DSF418.0B01-TS51	418MHz	+/-2MHz	2.5dB	0.6dB	65dB	SMD5.0×5.0	150 Ω
DSF420.0B01-TD01	420MHz	+/-2MHz	2.7dB	0.7dB	65dB	F-11	150 Ω
DSF426.0B01-TD01	426MHz	+/-2MHz	2.7dB	0.7dB	65dB	F-11	150 Ω
DSF430.0B01-TD01	430MHz	+/-2MHz	2.5dB	0.6dB	65dB	F-11	150 Ω
DSF430.5B01-TS31	430.5MHz	+/-2MHz	2.5dB	0.6dB	65dB	SMD3.8×3.8	150 Ω
DSF430.5B01-TS51	430.5MHz	+/-2MHz	2.5dB	0.6dB	65dB	SMD5.0×5.0	150 Ω
DSF434.0B01-TD01	434MHz	+/-2MHz	2.5dB	0.6dB	65dB	F-11	150 Ω
DSF434.0B01-TS31	434MHz	+/-2MHz	2.5dB	0.6dB	65dB	SMD3.8×3.8	150 Ω
DSF434.0B01-TS51	434MHz	+/-2MHz	2.5dB	0.6dB	65dB	SMD5.0×5.0	150 Ω
DSF434.0B02-TD01	434MHz	+/-2MHz	2.7dB	0.7dB	53dB	F-11	50 Ω
DSF434.0B02-TS31	434MHz	+/-2MHz	2.7dB	0.7dB	53dB	SMD3.8×3.8	50 Ω
DSF434.0B02-TS51	434MHz	+/-2MHz	2.7dB	0.7dB	53dB	SMD5.0×5.0	50 Ω
DSF444.0B01-TD01	444MHz	+/-2MHz	2.7dB	0.7dB	65dB	F-11	150 Ω
DSF444.5B01-TS51	444.5MHz	+/-2MHz	2.7dB	0.7dB	65dB	SMD5.0×5.0	150 Ω
DSF446.0B01-TD01	446MHz	+/-2MHz	2.5dB	0.6dB	65dB	F-11	150 Ω

Continued on the following page.

### SAW Filter for Low Power System

Continued from the preceding page.

Part Number	Center Frequency	BW	I.L	Ripple	Rejection	Package	Impedance
DSF446.0B01-TS31	446MHz	+/-2MHz	2.5dB	0.6dB	65dB	SMD3.8×3.8	150 Ω
DSF446.0B02-TD01	446MHz	+/-2MHz	2.7dB	0.6dB	53dB	F-11	50 Ω
DSF446.0B02-TS31	446MHz	+/-2MHz	2.7dB	0.6dB	53dB	SMD3.8×3.8	50 Ω
DSF446.0B02-TS51	446MHz	+/-2MHz	2.7dB	0.6dB	53dB	SMD5.0×5.0	50 Ω
DSF450.0B01-TD01	450MHz	+/-2MHz	2.7dB	0.7dB	65dB	F-11	150 Ω
DSF452.0B01-TD01	452MHz	+/-2MHz	2.7dB	0.7dB	65dB	F-11	150 Ω
DSF454.0B01-TD01	454MHz	+/-2MHz	2.5dB	0.6dB	65dB	F-11	150 Ω
DSF456.0B01-TD01	456MHz	+/-2MHz	2.7dB	0.7dB	65dB	F-11	150 Ω
DSF458.0B01-TD01	458MHz	+/-2MHz	2.5dB	0.6dB	65dB	F-11	150 Ω
DSF460.0B01-TD01	460MHz	+/-2MHz	2.7dB	0.7dB	65dB	F-11	150 Ω
DSF462.0B01-TD01	462MHz	+/-2MHz	2.5dB	0.6dB	65dB	F-11	150 Ω
DSF464.0B01-TD01	464MHz	+/-2MHz	2.5dB	0.6dB	65dB	F-11	150 Ω
DSF464.0B01-TS31	464MHz	+/-2MHz	2.5dB	0.6dB	65dB	SMD3.8×3.8	150 Ω
DSF464.0B01-TS51	464MHz	+/-2MHz	2.5dB	0.6dB	65dB	SMD5.0×5.0	150 Ω
DSF465.0B01-TD01	465MHz	+/-3MHz	2.3dB	0.6dB	65dB	F-11	150 Ω
DSF465.0B01-TS31	465MHz	+/-3MHz	2.3dB	0.6dB	65dB	SMD3.8×3.8	150 Ω
DSF465.0B01-TS51	465MHz	+/-3MHz	2.3dB	0.6dB	65dB	SMD5.0×5.0	150 Ω
DSF465.0B02-TD01	465MHz	+/-3MHz	2.5dB	0.6dB	53dB	F-11	50 Ω
DSF465.0B02-TS31	465MHz	+/-3MHz	2.5dB	0.6dB	53dB	SMD3.8×3.8	50 Ω
DSF465.0B02-TS51	465MHz	+/-3MHz	2.5dB	0.6dB	53dB	SMD5.0×5.0	50 Ω
DSF466.0B01-TD01	466MHz	+/-2MHz	2.5dB	0.6dB	65dB	F-11	150 Ω
DSF466.0B01-TS51	466MHz	+/-2MHz	2.5dB	0.6dB	65dB	SMD5.0×5.0	150 Ω
DSF468.0B01-TD01	468MHz	+/-2MHz	2.5dB	0.6dB	65dB	F-11	150 Ω
DSF470.0B01-TD01	470MHz	+/-2MHz	2.7dB	0.7dB	65dB	F-11	150 Ω
DSF474.0B01-TD01	474MHz	+/-2MHz	2.7dB	0.7dB	65dB	F-11	150 Ω
DSF474.0B01-TS31	474MHz	+/-2MHz	2.7dB	0.7dB	65dB	SMD3.8×3.8	150 Ω
DSF478.0B01-TD01	478MHz	+/-2MHz	2.7dB	0.7dB	65dB	F-11	150 Ω
DSF480.0B11-TD01	480MHz	+/-2MHz	2.7dB	0.7dB	65dB	F-11	150 Ω
DSF480.0B11-TS31	480MHz	+/-2MHz	2.7dB	0.7dB	65dB	SMD3.8×3.8	150 Ω
DSF482.0B01-TD01	482MHz	+/-2MHz	2.7dB	0.7dB	65dB	F-11	150 Ω
DSF488.0B01-TD01	488MHz	+/-2MHz	2.7dB	0.7dB	65dB	F-11	150 Ω
DSF281.0B01-ND01	281MHz	+/-3.5MHz	3.3dB	1.0dB	60dB	F-11	150 Ω
DSF281.0B01-NS51	281MHz	+/-3.5MHz	3.3dB	1.0dB	60dB	SMD5.0×5.0	150 Ω
DSF139.0B01-ND01	139MHz	+/-4MHz	5.0dB	1.2dB	50dB	F-11	150 Ω
DSF147.0B01-TD01	147MHz	+/-4MHz	5.0dB	1.2dB	50dB	F-11	
DSF155.0B01-TD01	155MHz	+/-4MHz	5.0dB	1.2dB	50dB	F-11	
DSF163.0B01-TD01	163MHz	+/-4MHz	5.0dB	1.2dB	50dB	F-11	
DSF171.0B01-TD01	171MHz	+/-4MHz	5.0dB	1.2dB	50dB	F-11	

Continued on the following page.

### SAW Filter for Low Power System

Continued from the preceding page.

Part Number	Center Frequency	BW	I.L	Ripple	Rejection	Package	Impedance
DSF864.0B01-TS22	864MHz	+/-1.5MHz	3.5dB	0.6dB	36dB	SMD3.0×3.0	50 Ω
DSF864.0B01-TS31	864MHz	+/-1.5MHz	3.5dB	0.6dB	36dB	SMD3.8×3.8	50 Ω
DSF868.0B01-TS31	868MHz	+/-1MHz	3.5dB	0.7dB	40dB	SMD3.8×3.8	50 Ω
DSF868.0B01-TS51	868MHz	+/-1MHz	3.5dB	0.7dB	40dB	SMD5.0×5.0	50 Ω
DSF869.0B01-TS22	869MHz	+/-1MHz	3.5dB	0.7dB	40dB	SMD3.0×3.0	50 Ω
DSF869.0B01-TS31	869MHz	+/-1MHz	3.5dB	0.7dB	40dB	SMD3.8×3.8	50 Ω
DSF915.0B02-TS31	915MHz	+/-13MHz	2.9dB	0.4dB	30dB	SMD3.8×3.8	50 Ω
DSF304.0B02-TS51	304MHz	+/-2MHz	2.8dB	0.7dB	53dB	SMD5.0×5.0	50 Ω
DSF304.0B03-ND01	304MHz	+/-3.5MHz	2.8dB	0.7dB	55dB	F-11	150 Ω
DSF400.0B01-TD01	400MHz	+/-2MHz	2.7dB	0.6dB	65dB	F-11	150 Ω
DSF403.0B01-TD01	403MHz	+/-2MHz	2.7dB	0.6dB	65dB	F-11	150 Ω
DSF403.5B01-TS31	403.5MHz	+/-2MHz	2.7dB	0.6dB	65dB	SMD3.8×3.8	150 Ω
DSF404.0B01-TD01	404MHz	+/-2MHz	2.7dB	0.6dB	65dB	F-11	150 Ω
DSF449.0B03-NS31	449MHz	+/-3MHz	2.7dB	0.7dB	53dB	SMD3.8×3.8	50 Ω
DSF465.0B03-ND01	465MHz	+/-5MHz	2.3dB	0.6dB	50dB	F-11	50 Ω
DSF465.0B03-NS31	465MHz	+/-5MHz	2.3dB	0.6dB	50dB	SMD3.8×3.8	50 Ω
DSF465.0B04-ND01	465MHz	+/-5MHz	2.5dB	0.6dB	55dB	F-11	150 Ω
DSF465.0B04-NS31	465MHz	+/-5MHz	2.5dB	0.6dB	55dB	SMD3.8×3.8	150 Ω
DSF465.0B05-NS31	465MHz	+/-3MHz	2.7dB	0.7dB	50dB	SMD3.8×3.8	50 Ω
DSF930.5B01-TD01	930.5MHz	+/-2MHz	2.8dB	0.5dB	55dB	F-11	50 Ω
DSF930.5B01-TS22	930.5MHz	+/-2MHz	2.8dB	0.5dB	55dB	SMD3.0×3.0	50 Ω

### SAW Filter for Satellite Receiver

Part Number	Center Frequency	BW	I.L	Ripple	Rejection	Package
DSF480.0B01-ND03	480+/-1MHz	17.6+/-1MHz	18.5dB	0.3dB	53dB	TO-39/3B
DSF480.0B01-ND04	480+/-1MHz	17.6+/-1MHz	18.5dB	0.3dB	53dB	TO-39/4
DSF480.0B02-ND03	480+/-1MHz	26.7+/-1MHz	17.8dB	0.3dB	53dB	TO-39/3B
DSF479.5B06-ND04	479.5MHz	16.0+/-1MHz	23.1dB	0.7dB	48dB	TO-39/4

### SAW Resonator for VCR RF-Modulator

Part Number	Center Frequency	Tolerance	Insertion Loss	Package
DSR71.726A01-SD06	71.726MHz	+/-70KHz	2.5dB	SF-712
DSR98.90A01-SD06	98.9MHz	+/-70KHz	2.5dB	SF-712
DSR108.20A01-SD06	108.20MHz	+/-70KHz	2.5dB	SF-712
DSR117.20A01-SD06	117.20MHz	+/-70KHz	2.5dB	SF-712
DSR119.20A01-SD06	119.2MHz	+/-70KHz	2.5dB	SF-712

Continued on the following page.

### SAW Resonator for VCR RF-Modulator

Continued from the preceding page.

Part Number	Center Frequency	Tolerance	Insertion Loss	Package
DSR119.24A01-SD06	119.24MHz	+/-70KHz	2.5dB	SF-712
DSR211.25A01-SD06	211.25MHz	+/-70KHz	2.5dB	SF-712
DSR217.25A01-SD02	217.25MHz	+/-75KHz	1.5dB	TO-39/3A
DSR535.25A01-SD02	535.25MHz	+/-75KHz	1.5dB	TO-39/3A
DSR551.25A01-SD02	551.25MHz	+/-75KHz	1.5dB	TO-39/3A
DSR607.25A01-SD02	607.25MHz	+/-75KHz	1.5dB	TO-39/3A
DSR55.25/62.25A01-SD06	55.25MHz/62.25MHz	+/-80KHz	2.6dB/2.5dB	SF-712
DSR61.24/67.24A01-SD06	61.24MHz/67.24MHz	+/-80KHz	2.3dB/2.2dB	SF-712
DSR77.25/85.25A01-SD06	77.25MHz/85.25MHz	+/-80KHz	2.6dB/2.5dB	SF-712

### One-port SAW Resonator for Wireless Remote Controller

Part Number	Center Frequency	Tolerance	Insertion Loss	Package
DSR300.00A01-SD02	300MHz	+/-75KHz	1.3dB	TO-39/3A
DSR303.825A01-SD01	303.825MHz	+/-75KHz	1.3dB	F-11
DSR303.825A01-SD02	303.825MHz	+/-75KHz	1.3dB	TO-39/3A
DSR303.825A01-SS51	303.825MHz	+/-75KHz	1.3dB	SMD5.0×5.0
DSR303.875A01-SD01	303.875MHz	+/-75KHz	1.3dB	F-11
DSR303.875A01-SD02	303.875MHz	+/-75KHz	1.3dB	TO-39/3A
DSR303.875A01-SS51	303.875MHz	+/-75KHz	1.3dB	SMD5.0×5.0
DSR304.25A01-SS51	304.25MHz	+/-75KHz	1.3dB	SMD5.0×5.0
DSR304.50A01-SD02	304.5MHz	+/-75KHz	1.3dB	TO-39/3A
DSR310.00A01-SD01	310MHz	+/-75KHz	1.3dB	F-11
DSR310.00A01-SD02	310MHz	+/-75KHz	1.3dB	TO-39/3A
DSR310.00A01-SS51	310MHz	+/-75KHz	1.3dB	SMD5.0×5.0
DSR313.225A01-SD02	313.225MHz	+/-75KHz	1.3dB	TO-39/3A
DSR313.225A01-SS51	313.225MHz	+/-75KHz	1.3dB	SMD5.0×5.0
DSR313.25A01-SD02	313.25MHz	+/-75KHz	1.3dB	TO-39/3A
DSR313.275A01-SD02	313.275MHz	+/-75KHz	1.3dB	TO-39/3A
DSR313.275A01-SS51	313.275MHz	+/-75KHz	1.3dB	SMD5.0×5.0
DSR313.50A01-SS51	313.5MHz	+/-75KHz	1.3dB	SMD5.0×5.0
DSR314.50A01-SD02	314.5MHz	+/-75KHz	1.3dB	TO-39/3A
DSR314.50A01-SS51	314.5MHz	+/-75KHz	1.3dB	SMD5.0×5.0
DSR315.00A01-SD01	315MHz	+/-75KHz	1.3dB	F-11
DSR315.00A01-SD11	315MHz	+/-75KHz	1.3dB	D11
DSR315.00A01-SD12	315MHz	+/-75KHz	1.3dB	D12
DSR315.00A01-SD02	315MHz	+/-75KHz	1.3dB	TO-39/3A

Continued on the following page.

Note: Frequency tolerance of +/-50KHz, +/-150KHz, +/-250KHz is available

### One-port SAW Resonator for Wireless Remote Controller

Continued from the preceding page.

Part Number	CenterFrequency	Tolerance	Insertion Loss	Package
DSR315.00A01-SS51	315MHz	+/-75KHz	1.3dB	SMD5.0×3.5
DSR315.00A01-SS53	315MHz	+/-75KHz	1.3dB	SMD5.0×3.5
DSR315.20A01-SD02	315.2MHz	+/-75KHz	1.3dB	TO-39/3A
DSR315.50A01-SD02	315.5MHz	+/-75KHz	1.3dB	TO-39/3A
DSR315.50A01-SS51	315.5MHz	+/-75KHz	1.3dB	SMD5.0×5.0
DSR315.50A01-SS53	315.5MHz	+/-75KHz	1.3dB	SMD5.0×3.5
DSR316.00A01-SD02	316MHz	+/-75KHz	1.3dB	TO-39/3A
DSR316.80A01-SD02	316.8MHz	+/-75KHz	1.3dB	TO-39/3A
DSR317.50A01-SD02	317.5MHz	+/-75KHz	1.3dB	TO-39/3A
DSR318.00A01-SD02	318MHz	+/-75KHz	1.3dB	TO-39/3A
DSR318.00A01-SS51	318MHz	+/-75KHz	1.3dB	SMD5.0×3.5
DSR319.50A01-SD02	319.5MHz	+/-75KHz	1.3dB	TO-39/3A
DSR319.50A01-SS51	319.5MHz	+/-75KHz	1.3dB	SMD5.0×5.0
DSR319.50A01-SS53	319.5MHz	+/-75KHz	1.3dB	SMD5.0×3.5
DSR320.00A01-SD02	320MHz	+/-75KHz	1.3dB	TO-39/3A
DSR325.00A01-SD02	325MHz	+/-75KHz	1.3dB	TO-39/3A
DSR330.00A01-SD02	330MHz	+/-75KHz	1.3dB	TO-39/3A
DSR330.00A01-SS51	330MHz	+/-75KHz	1.3dB	SMD5.0×5.0
DSR340.00A01-SD02	340MHz	+/-75KHz	1.3dB	TO-39/3A
DSR345.00A01-SD01	345MHz	+/-75KHz	1.3dB	F-11
DSR345.00A01-SD02	345MHz	+/-75KHz	1.3dB	TO-39/3A
DSR350.00A01-SD02	350MHz	+/-75KHz	1.3dB	TO-39/3A
DSR350.00A01-SS51	350MHz	+/-75KHz	1.3dB	SMD5.0×5.0
DSR360.00A01-SD01	360MHz	+/-75KHz	1.3dB	F-11
DSR360.00A01-SD02	360MHz	+/-75KHz	1.3dB	TO-39/3A
DSR360.00A01-SS51	360MHz	+/-75KHz	1.3dB	SMD5.0×5.0
DSR372.00A01-SD02	372MHz	+/-75KHz	1.3dB	TO-39/3A
DSR372.00A01-SS53	372MHz	+/-75KHz	1.3dB	SMD5.0×3.5
DSR388.95A01-SD01	388.95MHz	+/-75KHz	1.3dB	F-11
DSR388.95A01-SD02	388.95MHz	+/-75KHz	1.3dB	TO-39/3A
DSR390.00A01-SD01	390MHz	+/-75KHz	1.3dB	F-11
DSR390.00A01-SD02	390MHz	+/-75KHz	1.3dB	TO-39/3A
DSR390.00A01-SS51	390MHz	+/-75KHz	1.3dB	SMD5.0×5.0
DSR390.00A01-SS53	390MHz	+/-75KHz	1.3dB	SMD5.0×3.5
DSR390.33A01-SD01	390.33MHz	+/-75KHz	1.3dB	F-11
DSR390.33A01-SD02	390.33MHz	+/-75KHz	1.3dB	TO-39/3A
DSR391.00A01-SD02	391MHz	+/-75KHz	1.3dB	TO-39/3A

Continued on the following page.

Note:Frequency tolerance of +/-50KHz,+/-150KHz,+/-250KHz is available

### One-port SAW Resonator for Wireless Remote Controller

Continued from the preceding page.

Part Number	Center Frequency	Tolerance	Insertion Loss	Package
DSR395.00A01-SD01	395MHz	+/-75KHz	1.3dB	F-11
DSR395.00A01-SD02	395MHz	+/-75KHz	1.3dB	TO-39/3A
DSR395.00A01-SS51	395MHz	+/-75KHz	1.3dB	SMD5.0×5.0
DSR395.50A01-SD02	395.5MHz	+/-75KHz	1.3dB	TO-39/3A
DSR396.00A01-SD02	396MHz	+/-75KHz	1.3dB	TO-39/3A
DSR400.00A01-SS51	400MHz	+/-75KHz	1.3dB	SMD5.0×5.0
DSR407.30A01-SD02	407.3MHz	+/-75KHz	1.3dB	TO-39/3A
DSR407.30A01-SS51	407.3MHz	+/-75KHz	1.3dB	SMD5.0×5.0
DSR417.25A01-SD02	417.25MHz	+/-75KHz	1.3dB	TO-39/3A
DSR417.50A01-SD02	417.50MHz	+/-75KHz	1.3dB	TO-39/3A
DSR418.00A01-SD01	418MHz	+/-75KHz	1.3dB	F-11
DSR418.00A01-SD02	418MHz	+/-75KHz	1.3dB	TO-39/3A
DSR418.00A01-SS51	418MHz	+/-75KHz	1.3dB	SMD5.0×5.0
DSR423.17A01-SS51	423.17MHz	+/-75KHz	1.3dB	SMD5.0×5.0
DSR423.22A01-SD01	423.22MHz	+/-75KHz	1.3dB	F-11
DSR423.22A01-SD02	423.22MHz	+/-75KHz	1.3dB	TO-39/3A
DSR423.22A01-SS51	423.22MHz	+/-75KHz	1.3dB	SMD5.0×5.0
DSR426.00A01-SD02	426MHz	+/-75KHz	1.3dB	TO-39/3A
DSR432.50A01-SD02	432.5MHz	+/-75KHz	1.3dB	TO-39/3A
DSR433.00A01-SD02	433MHz	+/-75KHz	1.3dB	TO-39/3A
DSR433.42A01-SD01	433.42MHz	+/-75KHz	1.3dB	F-11
DSR433.42A01-SD02	433.42MHz	+/-75KHz	1.3dB	TO-39/3A
DSR433.42A01-SS51	433.42MHz	+/-75KHz	1.3dB	SMD5.0×5.0
DSR433.92A01-SD01	433.92MHz	+/-75KHz	1.2dB	F-11
DSR433.92A01-SD11	433.92MHz	+/-75KHz	1.2dB	D11
DSR433.92A01-SD012	433.92MHz	+/-75KHz	1.2dB	D12
DSR433.92A01-SD02	433.92MHz	+/-75KHz	1.2dB	TO-39/3A
DSR433.92A01-SS51	433.92MHz	+/-75KHz	1.2dB	SMD5.0×5.0
DSR433.92A01-SS53	433.92MHz	+/-75KHz	1.2dB	SMD5.0×3.5
DSR434.15A01-SD02	434.15MHz	+/-75KHz	1.3dB	TO-39/3A
DSR434.42A01-SD02	434.42MHz	+/-75KHz	1.3dB	TO-39/3A
DSR434.42A01-SS51	434.42MHz	+/-75KHz	1.3dB	SMD5.0×5.0
DSR451.90A01-SD01	451.9MHz	+/-75KHz	1.3dB	F-11
DSR451.90A01-SS51	451.9MHz	+/-75KHz	1.3dB	SMD5.0×5.0
DSR452.15A01-SD02	452.15MHz	+/-75KHz	1.3dB	TO-39/3A
DSR452.50A01-SD02	452.5MHz	+/-75KHz	1.3dB	TO-39/3A
DSR457.00A01-SD02	457MHz	+/-75KHz	1.3dB	TO-39/3A

Continued on the following page.

Note: Frequency tolerance of +/-50KHz, +/-150KHz, +/-250KHz is available



## One-port SAW Resonator for Wireless Remote Controller

Continued from the preceding page.

Part Number	Center Frequency	Tolerance	Insertion Loss	Package
DSR457.50A01-SD02	457.5MHz	+/-75KHz	1.3dB	TO-39/3A
DSR458.00A01-SD02	458MHz	+/-75KHz	1.3dB	TO-39/3A
DSR462.64A01-SD02	462.64MHz	+/-75KHz	1.3dB	TO-39/3A
DSR462.64A01-SS51	462.64MHz	+/-75KHz	1.3dB	SMD5.0×5.0
DSR462.68A01-SS51	462.68MHz	+/-75KHz	1.3dB	SMD5.0×5.0
DSR479.50A01-SD02	479.5MHz	+/-75KHz	1.3dB	TO-39/3A
DSR479.50A01-SS51	479.5MHz	+/-75KHz	1.3dB	SMD5.0×5.0
DSR480.00A01-SD02	480MHz	+/-75KHz	1.3dB	TO-39/3A
DSR480.00A01-SS51	480MHz	+/-75KHz	1.3dB	SMD5.0×5.0
DSR499.50A01-SS51	499.5MHz	+/-75KHz	1.3dB	SMD5.0×5.0
DSR500.00A01-SD02	500MHz	+/-75KHz	1.3dB	TO-39/3A
DSR809.00A03-SD02	809MHz	+/-150KHz	1.5dB	TO-39/3A
DSR868.00A03-SD02	868MHz	+/-150KHz	1.5dB	TO-39/3A
DSR868.30A03-SD02	868.3MHz	+/-150KHz	1.5dB	TO-39/3A
DSR868.30A03-SS51	868.3MHz	+/-150KHz	1.5dB	SMD5.0×5.0
DSR868.35A03-SS51	868.35MHz	+/-150KHz	1.5dB	SMD5.0×5.0
DSR868.75A03-SS51	868.75MHz	+/-150KHz	1.5dB	SMD5.0×5.0
DSR904.00A03-SD02	904MHz	+/-150KHz	1.5dB	TO-39/3A
DSR905.00A03-SD02	905MHz	+/-150KHz	1.5dB	TO-39/3A
DSR915.00A03-SD02	915MHz	+/-150KHz	1.5dB	TO-39/3A
DSR915.00A03-SS51	915MHz	+/-150KHz	1.5dB	SMD5.0×5.0
DSR916.50A03-SD02	916.5MHz	+/-150KHz	1.5dB	TO-39/3A
DSR916.50A03-SS51	916.5MHz	+/-150KHz	1.5dB	SMD5.0×5.0
DSR919.00A03-SD02	919MHz	+/-150KHz	1.5dB	TO-39/3A

Note: Frequency tolerance of +/-50KHz, +/-150KHz, +/-250KHz is available

## Two-port SAW Resonator for Wireless Remote Controller

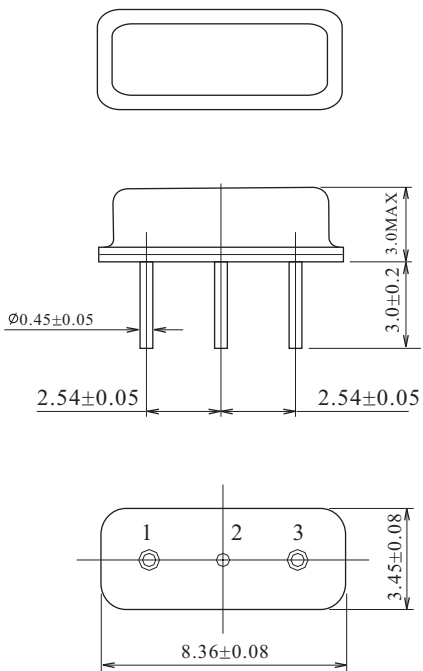
Part Number	Center Frequency	Tolerance	Insertion Loss	Package
DSR303.825B01-SD02	303.825MHz	+/-75KHz	5.6dB	TO-39/3A
DSR303.875B01-SD02	303.875MHz	+/-75KHz	5.6dB	TO-39/3A
DSR380.00B01-SD02	380MHz	+/-75KHz	5.6dB	TO-39/3A
DSR433.22B01-SD01	433.22MHz	+/-75KHz	5.6dB	F-11
DSR433.22B01-SD02	433.22MHz	+/-75KHz	5.6dB	TO-39/3A
DSR433.37B01-SD02	433.37MHz	+/-75KHz	5.6dB	TO-39/3A
DSR433.42B01-SD02	433.42MHz	+/-75KHz	5.8dB	TO-39/3A
DSR433.92B01-SD02	433.92MHz	+/-75KHz	5.3dB	TO-39/3A
DSR433.92B01-SS51	433.92MHz	+/-75KHz	5.3dB	SMD5.0×5.0

Note: Frequency tolerance of +/-50KHz, +/-150KHz, +/-250KHz is available

## Front-end SAW Filter for Wireless Remote Controller

Part Number	Center Frequency	BW	I.L	Rejection	Package
DSF303.825A01-SS51	303.825MHz	650KHz	2.3dB	35dB	SMD5.0×5.0
DSF303.875A01-SS51	303.875MHz	650KHz	2.3dB	35dB	SMD5.0×5.0
DSF315.00A01-SD01	315MHz	650KHz	2.3dB	35dB	F-11
DSF315.00A01-SD02	315MHz	650KHz	2.3dB	35dB	TO-39/3A
DSF315.00A01-SS51	315MHz	650KHz	2.3dB	35dB	SMD5.0×5.0
DSF315.50A01-SD02	315.5MHz	650KHz	2.3dB	35dB	TO-39/3A
DSF318.00A01-SD02	318MHz	650KHz	2.2dB	35dB	TO-39/3A
DSF319.50A01-SD01	319.5MHz	650KHz	2.2dB	35dB	F-11
DSF319.50A01-SD02	319.5MHz	650KHz	2.2dB	35dB	TO-39/3A
DSF390.00A01-SD02	390MHz	650KHz	2.2dB	35dB	TO-39/3A
DSF433.42A01-SS51	433.42MHz	650KHz	2.3dB	35dB	SMD5.0×5.0
DSF433.92A01-SD01	433.92MHz	650KHz	2.3dB	35dB	F-11
DSF433.92A01-SD02	433.92MHz	650KHz	2.3dB	35dB	TO-39/3A
DSF433.92A01-SS51	433.92MHz	650KHz	2.3dB	35dB	SMD5.0×5.0
DSF434.00A01-SD02	434MHz	650KHz	2.3dB	35dB	TO-39/3A
DSF434.42A01-SS51	434.42MHz	650KHz	2.3dB	35dB	SMD5.0×5.0
DSF447.725A01-SD02	447.725MHz	650KHz	2.3dB	35dB	TO-39/3A

D11(8.36×3.45mm)



D12(φ6.94mm)

