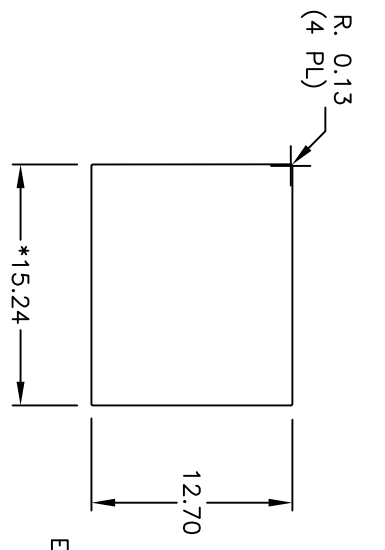


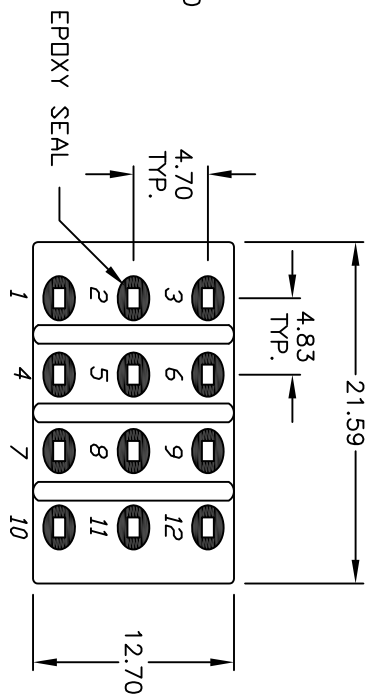
BLACK BEZEL



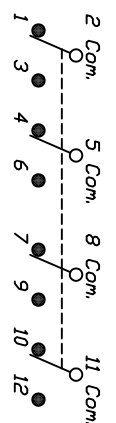
RECOMMENDED PANEL MOUNTING

PANEL THICKNESS  
1.52 TO 3.18

\* DIMENSION IS 15.75/15.88  
FOR PANEL THICKNESS BETWEEN  
1.52mm TO 3.18mm



BOTTOM VIEW

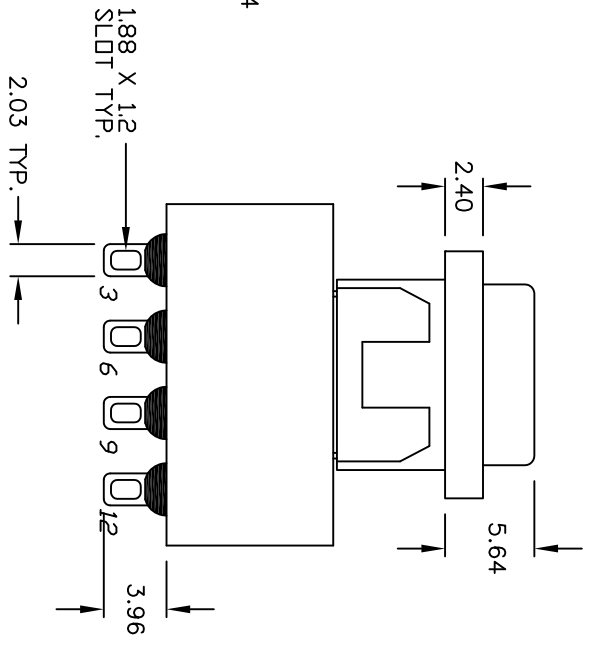
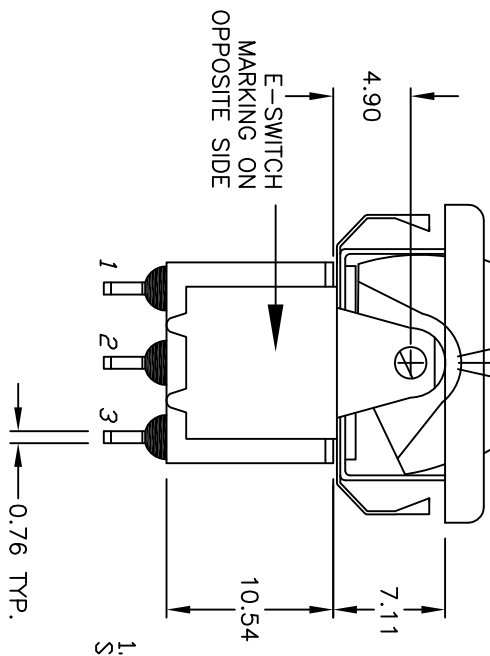


CIRCUIT: 4PDT  
CONTACT CONFIGURATION

SWITCH FUNCTION		
POS. 1	POS. 2	POS. 3
DN	N/DNE	DN
2-3, 5-6	DPEN	2-1, 5-4
8-9, 11-12		8-7, 11-10

NOTES:

1. ALL DIMENSIONS IN MM
2. GENERAL TOLERANCE: X.X=±0.4  
X.XX=±0.25
3. TERM. NOS. FOR REF. ONLY
4. RATING: 2 AMPS @ 250VAC  
5 AMPS @ 120VAC OR 28VDC
5. CONTACT RESISTANCE: 10mILLI Ohms max initial  
@2-4VDC, 100mA for AG & AU
6. ELECTRICAL LIFE: 50,000 make-and-break  
cycles at full load.
7. INSULATION RESISTANCE: 1,000M ohm min.
8. DIELECTRIC STRENGTH: 1000V RMS @sea level
9. OPERATING TEMP.: -30°C to 85°C



D	19948	CORRECT RATING	05/13/11	BMA
C	12202	REVISED AND REDRAWN	5/31/02	CB
REV.	ECN NO.	DESCRIPTION	DATE	CHKD

TITLE		DATE		REV	
300 4P-1 R6 BLK M1 Q E BLK		5/31/02		D	
SCALE	DR	DWG	REV		
2:1	CB	T346003	D		



THE INFORMATION CONTAINED IN THIS DOCUMENT IS PROPRIETARY TO E-SWITCH AND IS NOT TO BE COPIED OR TRANSFERRED