

Model No.	OSCTXX
REV.	C1

PRODUCT SPECIFICATION FOR **Ribbon Light**

Descriptions:

- Linear separable LED strip on flexible printed circuit board with self-adhesive back
- Long life, easy installation
- Voltages available 12VDC
- This is common anode to drive

Features:

- RGB LED ribbon light,
- Directly use on line voltage
- Low power consumption, high intensity
- Energy saving
- Excellent beam control
- Long life

Application:

- Channel letter signs
- Indirect accent décor light
- Large area back lighting
- Under counter light
- Decorate building's contour
- Substitute neon light

Product Picture:





Model No.	OSCTXX
REV.	C1

Device Selection Guide

Module No.	Color	Dom. Wavelength (Typ.)	Intensity / Per LED (Typ.)
OSCTR5	Red	625±5nm	1120 mcd
OSCTO5	Orange	605±5nm	1120 mcd
OSCTY5	Yellow	590±5nm	1120 mcd
OSCTG5	Green	525±5nm	3000 mcd
OSCTB5	Blue	470±5nm	1560 mcd
OSCTW5	White	X=0.27 ; Y=0.28	7000 mcd
OSCTM5	Warm White	X=0.45 ; Y=0.41	5000 mcd
OSCTK5	Pink	X=0.45 ; Y=0.17	1900 mcd
OSCTRGB	Red	625±5nm	500 mcd
	Green	525±5nm	1120 mcd
	Blue	470±5nm	400 mcd

Absolute Maximum Ratings(Ta=25)

Items	Symbol	Values	Units
Operating supply range(DC)	V _{dc}	14	V
Input Current (DC)	I _i	0.9	A
Power Dissipation	P _a	12.6	W
LED Light Source Temperature	T _{led}	105	DegC
Operating Temperature	T _{ope}	-10 ~ +40	DegC
Storage Temperature	T _{sto}	-20 ~ +80	DegC

Typical Performance (Ta=25)

Items	Symbol	Min.	Typ.	Max.	Units
LED Module Power	P _m	-	7.2	12.6	w
Input Voltage(DC)	V _i	-	12	14	V
Product input Current	I _f	-	0.6	0.9	A
Beam Pattern	BP	-	120	-	Deg
LED Quantity of Every Meter	QTY	-	30	-	PCS
Total Length of Modules (Including Pin)	L _{mod.}	-	1000	-	mm
Net Weight	Wei.	---	12	---	g

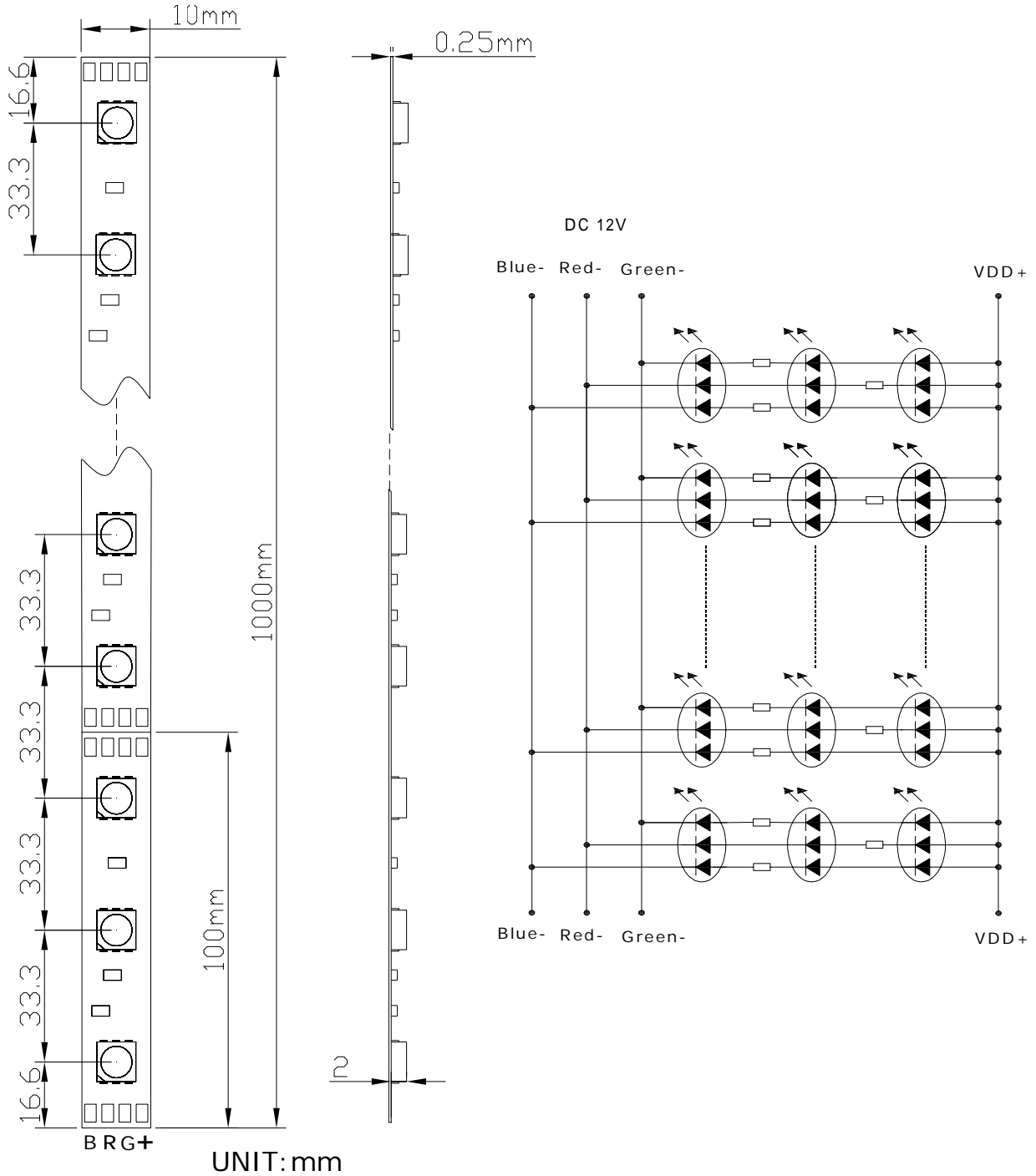
LED & Application Technologies



Optosupply Limited <http://www.optosupply.com>

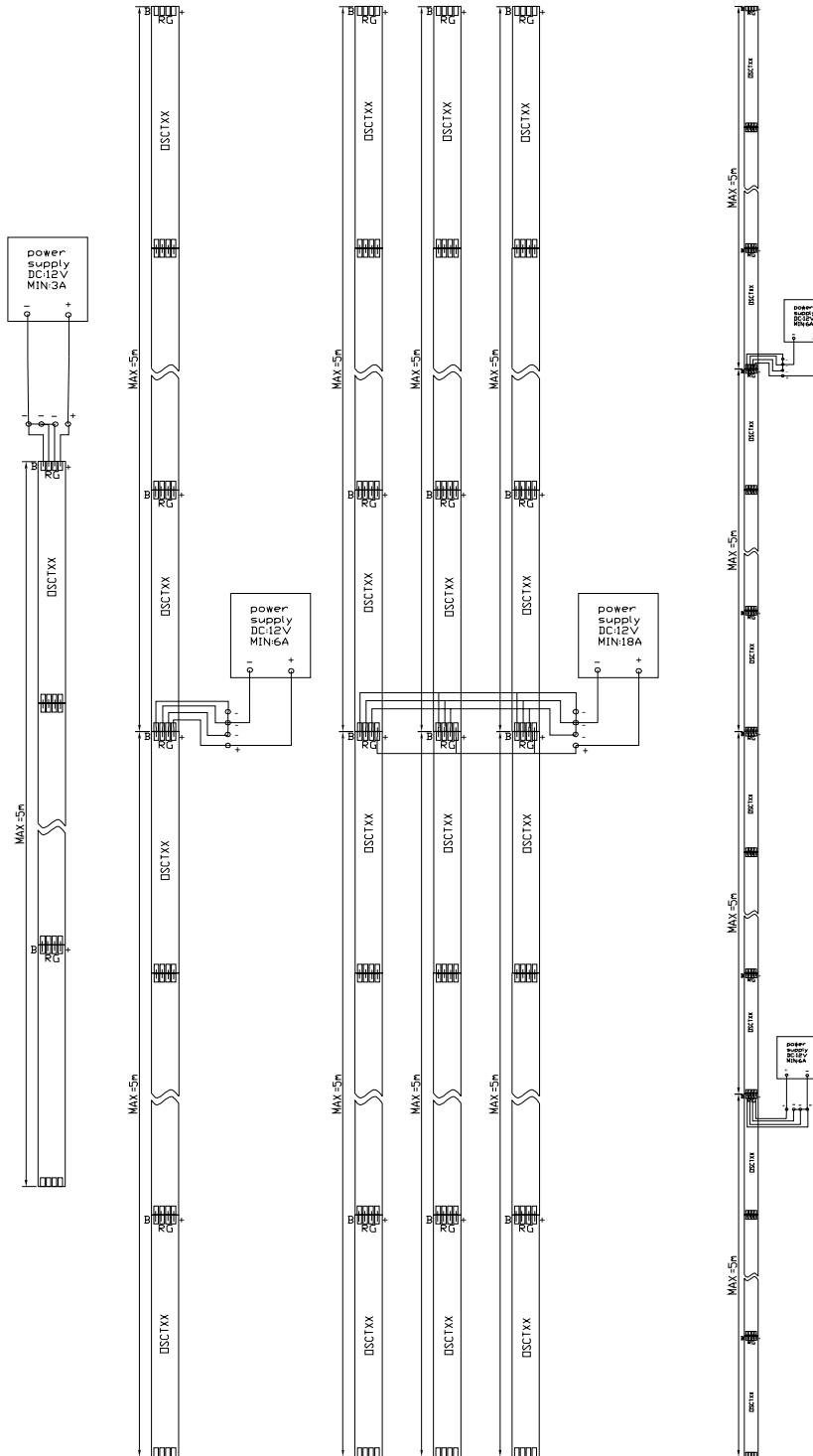
Model No.	OSCTXX
REV.	C1

Product Dimensions:



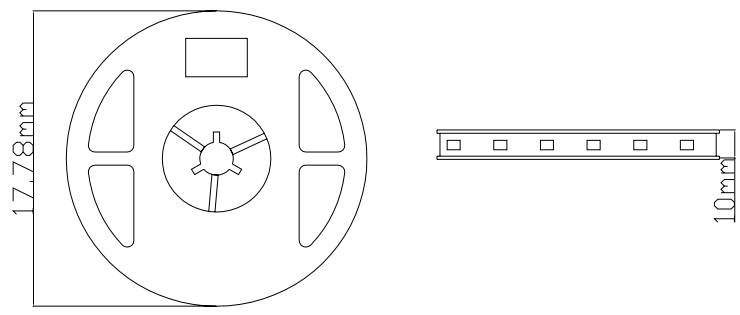
Model No.	OSCTXX
REV.	C1

Applied Product Electrical Connection Schematic Diagram:

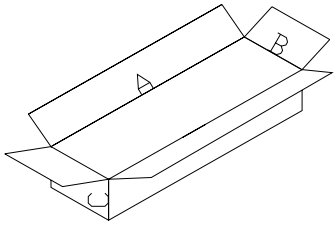


Model No.	OSCTXX
REV.	C1

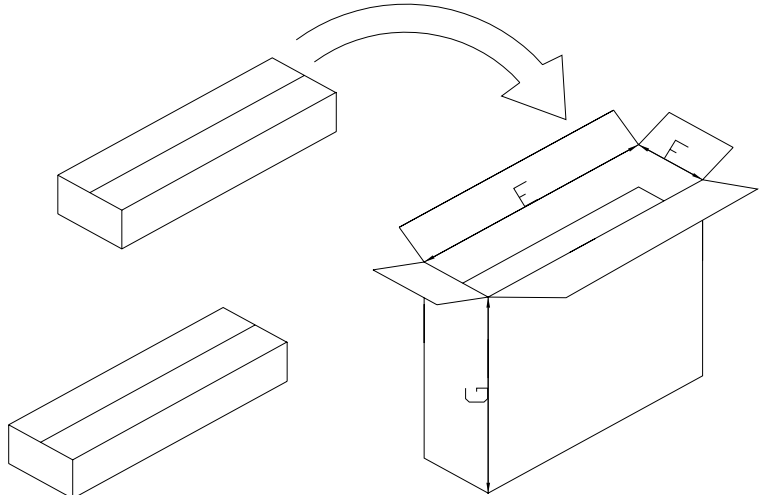
Product Packing Instruction:

	Package: Box
	5M/ Roll
	15 Roll/ Box

Unit: mm	
A	475±10
B	235±10
C	105±5



Packaging methods: 5 Boxes/ Carton



Unit: mm	
E	490±10
F	250±10
G	560±10

3.1 There are 5 Boxes in carton, totally 75 Roll/ Box

3.2 The dimension of outer carton is 490*250*560mm