

ESD protected N-CHANNEL MOSFET

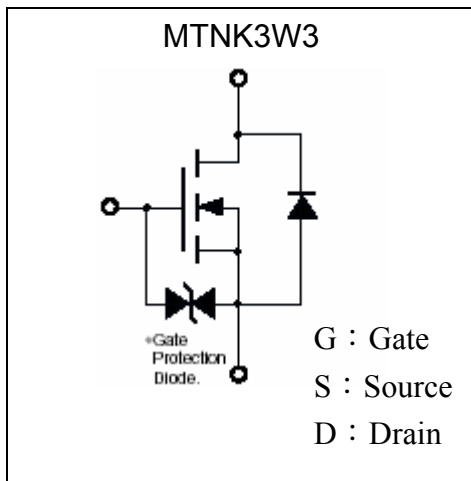
MTNK3W3

BV_{DSS}	20V
I_D	100mA
$R_{DS(on)}$	3Ω

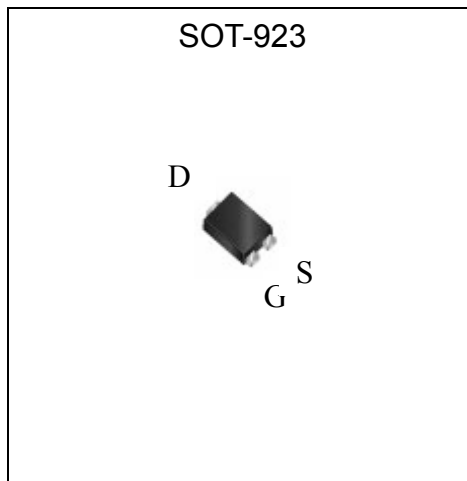
Description

- Low voltage drive, 1.8V
- Easy to use in parallel
- High speed switching
- ESD protected device
- Pb-free package

Symbol



Outline



Absolute Maximum Ratings (Ta=25°C)

Parameter	Symbol	Limits	Unit
Drain-Source Voltage	BV_{DSS}	20	V
Gate-Source Voltage	V_{GS}	±8	V
Continuous Drain Current	I_D	100	mA
Pulsed Drain Current	I_{DM}	400 *1	mA
Total Power Dissipation	P_D	150 *2	mW
ESD susceptibility		350 *3	V
Operating Junction and Storage Temperature Range	T_j	-55~+150	°C
Thermal Resistance, Junction-to-Ambient	$R_{th(ja)}$	833	°C/W

Note : *1. Pulse Width ≤ 300μs, Duty cycle ≤ 2%.
 *2. When device mounted on recommended land pattern.
 *3. Human body model, 1.5kΩ in series with 100pF.

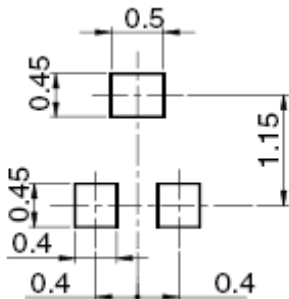
Electrical Characteristics (Ta=25°C)

Symbol	Min.	Typ.	Max.	Unit	Test Conditions
Static					
BV _{DSS}	20	-	-	V	V _{GS} =0, I _D =100μA
V _{GS(th)}	0.5	-	1.0	V	V _{DS} =V _{GS} , I _D =250μA
I _{GSS}	-	-	±1	μA	V _{GS} =±8V, V _{DS} =0
I _{DSS}	-	-	500	nA	V _{DS} =20V, V _{GS} =0
R _{DSON}	-	1.7	3	Ω	V _{GS} =4.5V, I _D =100mA
	-	3.5	6		V _{GS} =1.8V, I _D =20mA
G _{FS}	100	-	-	mS	V _{DS} =5V, I _D =100mA
Dynamic					
C _{iss}	-	23	50	pF	V _{DS} =10V, V _{GS} =0, f=1MHz
C _{oss}	-	7.7	25		
C _{rss}	-	5.8	5		
Source-Drain Diode					
*V _{SD}	-	-	1	V	V _{GS} =0V, I _S =10mA

*Pulse Test : Pulse Width ≤300μs, Duty Cycle ≤2%

Ordering Information

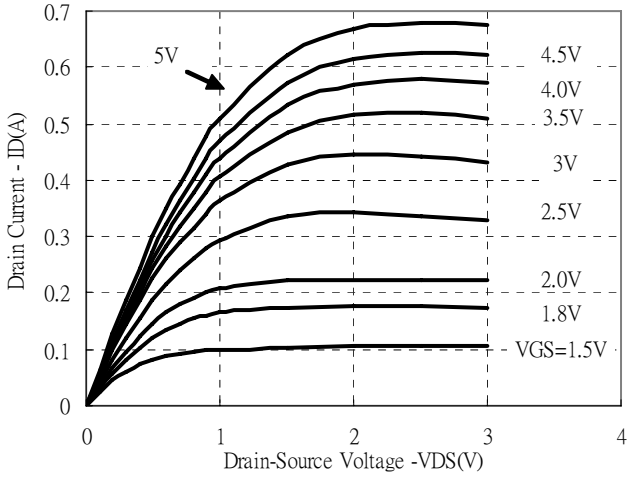
Device	Package	Shipping	Marking
MTNK3W3	SOT-923 (Pb-free)	8000 pcs / Tape & Reel	E

Recommended Footprint


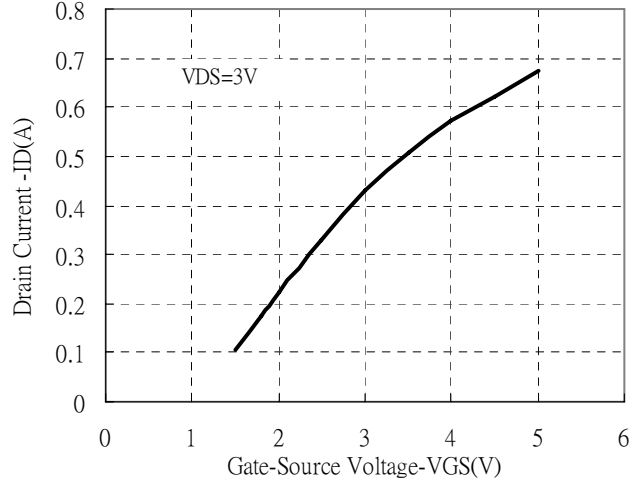
unit : mm

Typical Characteristics

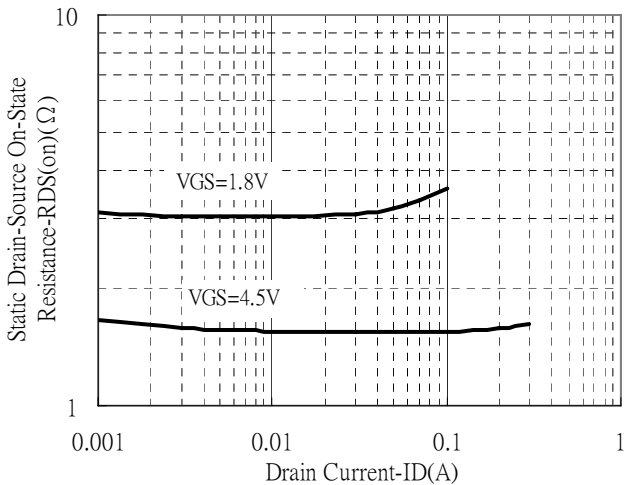
Typical Output Characteristics



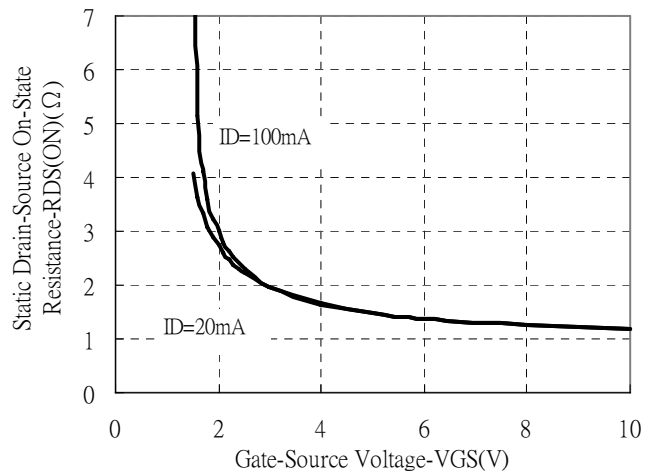
Typical Transfer Characteristics



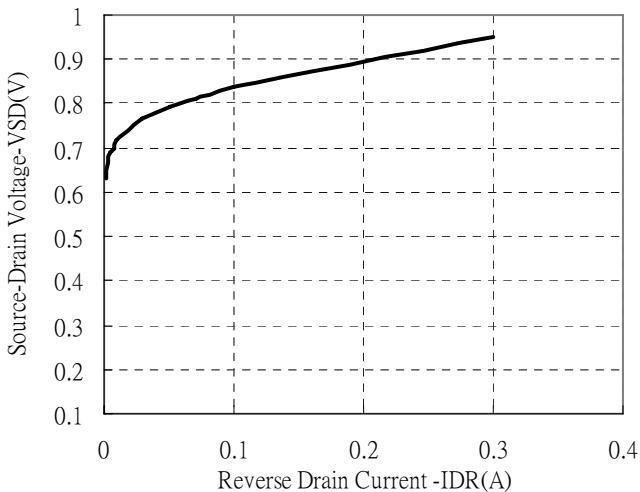
Static Drain-Source On-State resistance vs Drain Current



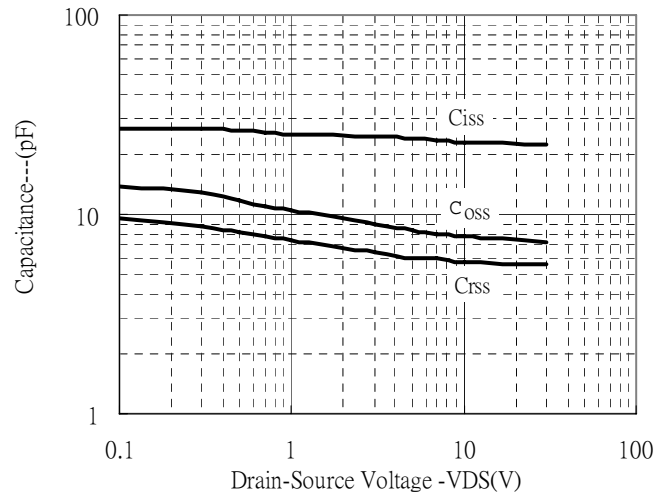
Static Drain-Source On-State Resistance vs Gate-Source Voltage



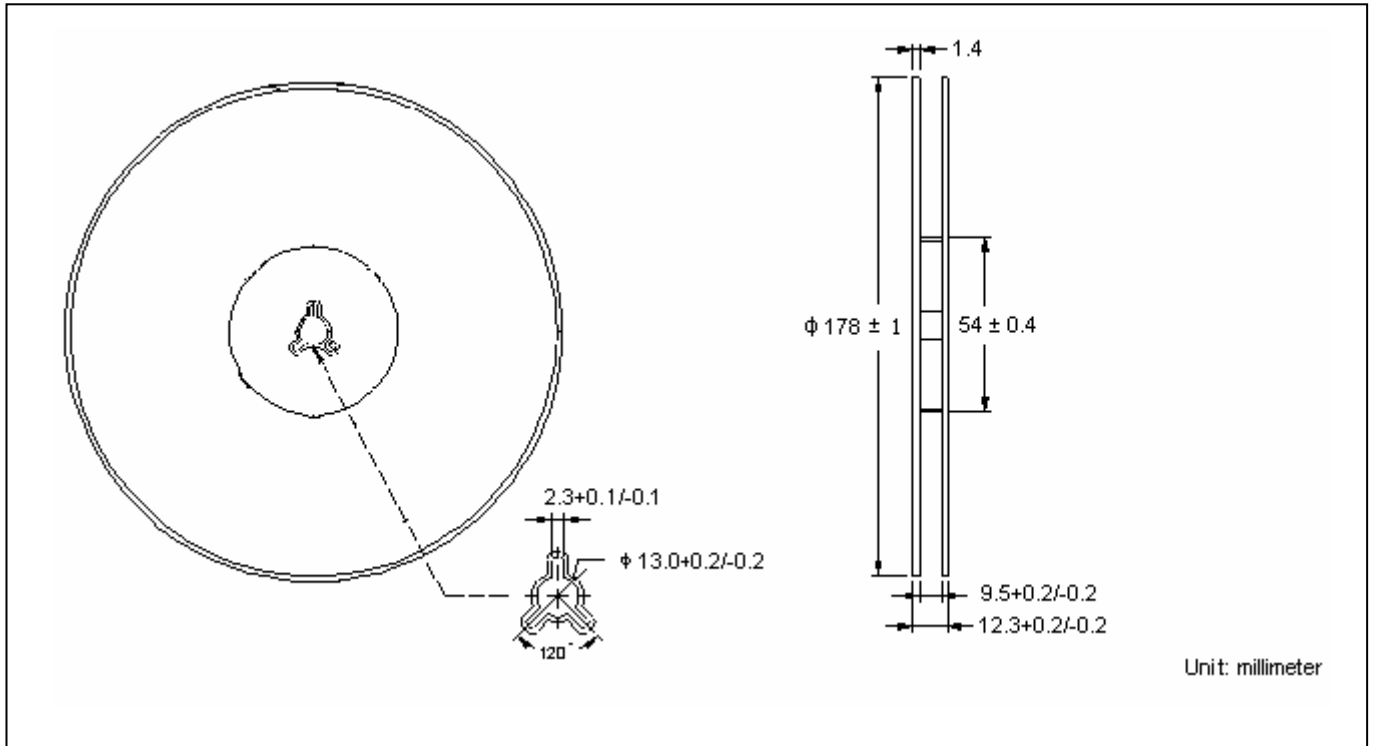
Reverse Drain Current vs Source-Drain Voltage



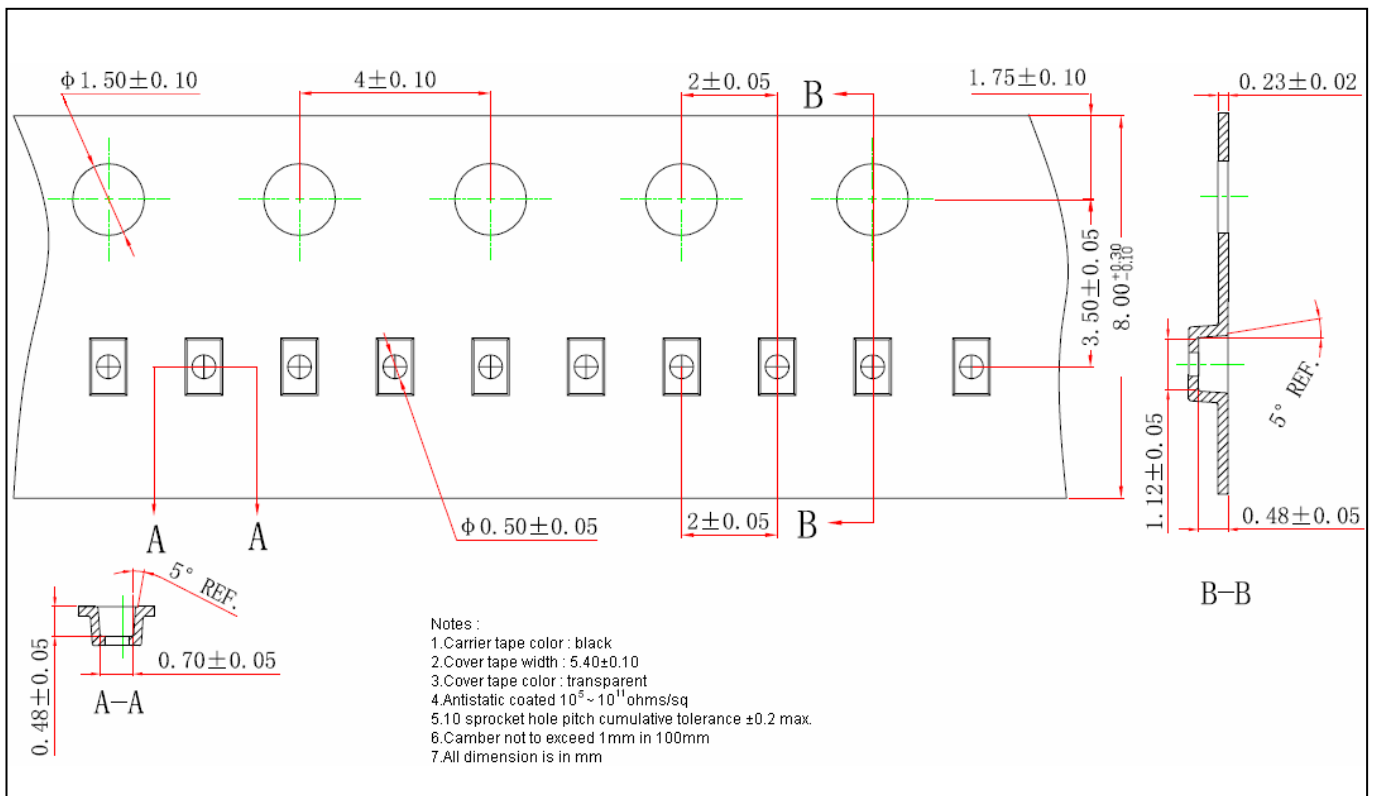
Capacitance vs Drain-to-Source Voltage



Reel Dimension



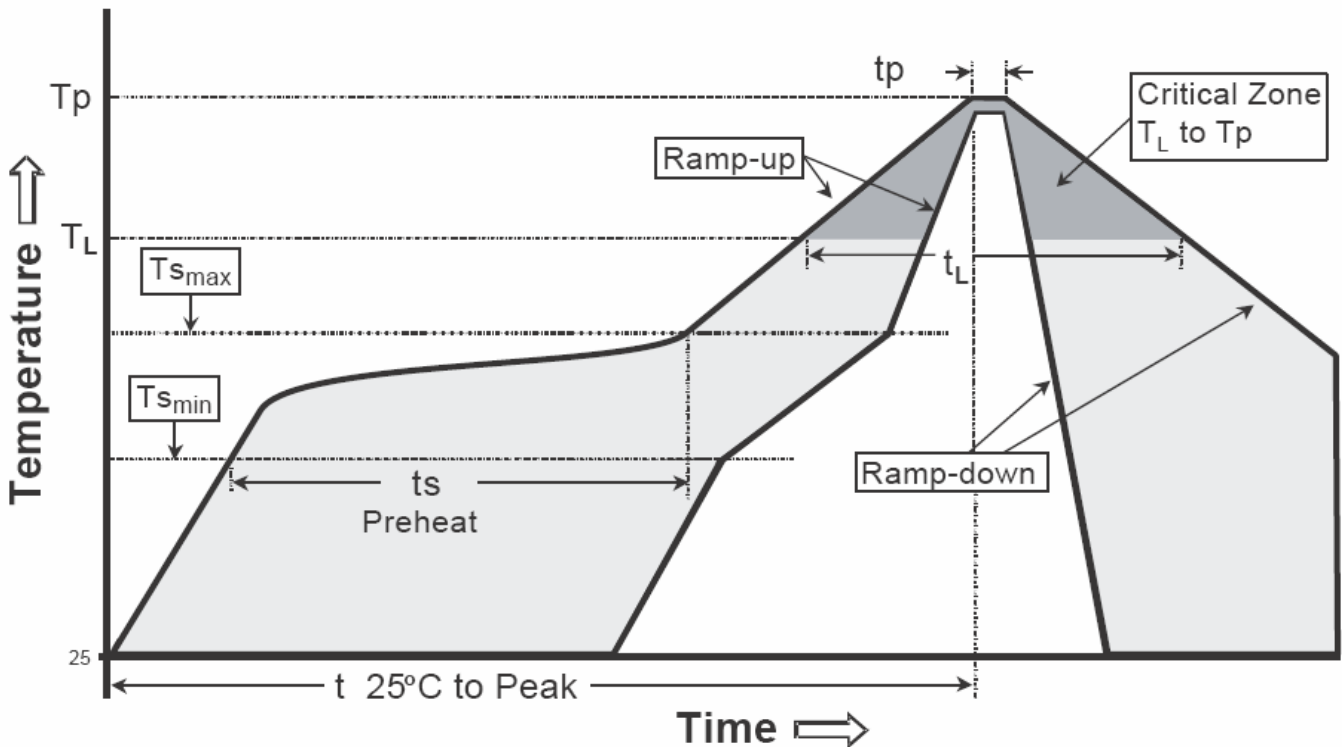
Carrier Tape Dimension



Recommended wave soldering condition

Product	Peak Temperature	Soldering Time
Pb-free devices	260 +0/-5 °C	5 +1/-1 seconds

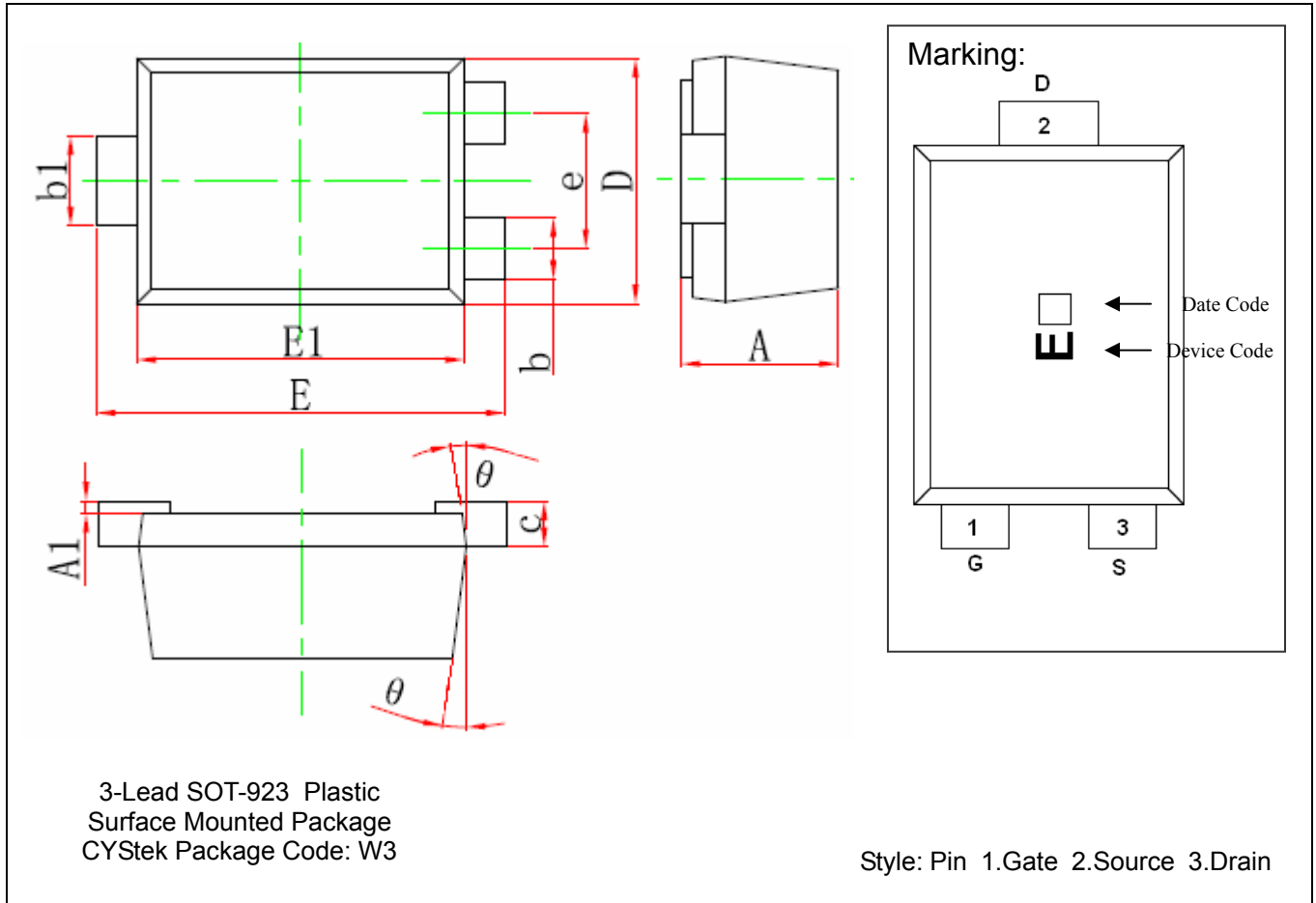
Recommended temperature profile for IR reflow



Profile feature	Sn-Pb eutectic Assembly	Pb-free Assembly
Average ramp-up rate (T _{smax} to T _p)	3°C/second max.	3°C/second max.
Preheat		
-Temperature Min(T _{s min})	100°C	150°C
-Temperature Max(T _{s max})	150°C	200°C
-Time(t _{s min} to t _{s max})	60-120 seconds	60-180 seconds
Time maintained above:		
-Temperature (T _L)	183°C	217°C
- Time (t _L)	60-150 seconds	60-150 seconds
Peak Temperature(T _P)	240 +0/-5 °C	260 +0/-5 °C
Time within 5°C of actual peak temperature(t _p)	10-30 seconds	20-40 seconds
Ramp down rate	6°C/second max.	6°C/second max.
Time 25 °C to peak temperature	6 minutes max.	8 minutes max.

Note : All temperatures refer to topside of the package, measured on the package body surface.

SOT-923 Dimension



*Typical

DIM	Inches		Millimeters		DIM	Inches		Millimeters	
	Min.	Max.	Min.	Max.		Min.	Max.	Min.	Max.
A	0.014	0.017	0.350	0.430	D	0.022	0.026	0.550	0.650
A1	0.000	0.002	0.000	0.050	E	0.035	0.043	0.900	1.100
b	0.004	0.009	0.100	0.220	E1	0.030	0.033	0.750	0.850
b1	0.007	0.011	0.170	0.270	e	0.014*		0.035*	
c	-	0.006	-	0.015	theta	7° REF		7° REF	

- Notes: 1.Controlling dimension: millimeters.
 2.Maximum lead thickness includes lead finish thickness, and minimum lead thickness is the minimum thickness of base material.
 3.If there is any question with packing specification or packing method, please contact your local CYStek sales office.

Material:

- Lead: Pure tin plated
- Mold Compound: Epoxy resin family, flammability solid burning class: UL94V-0

Important Notice:

- All rights are reserved. Reproduction in whole or in part is prohibited without the prior written approval of CYStek.
- CYStek reserves the right to make changes to its products without notice.
- CYStek **semiconductor products are not warranted to be suitable for use in Life-Support Applications, or systems.**
- CYStek assumes no liability for any consequence of customer product design, infringement of patents, or application assistance.