

PLEASE CHECK WWW.MOLEX.COM FOR LATEST PART INFORMATION

Part Number: [0395433004](#)
Status: **Active**
Description: 5.00mm (.197") Pitch Eurostyle™ Vertical Fixed Mount PCB Terminal Block, 4 Circuits

Documents:

[3D Model](#)
[Drawing \(PDF\)](#)

[RoHS Certificate of Compliance \(PDF\)](#)

General

Product Family	Terminal Blocks
Series	39543
Application	Wire-to-Board
Component Type	One Piece
Product Literature Order No	USA-355
Product Name	ESE, Eurostyle™ Fixed Mount
Type	Euro Block

Physical

Circuits (Loaded)	4
Entry Angle	Horizontal
Lock to Mating Part	None
Number of Rows	1
Orientation	Vertical
PC Tail Length (in)	0.118 In
PC Tail Length (mm)	3.00 mm
PCB Thickness Recommended (in)	0.080 In
PCB Thickness Recommended (mm)	2.00 mm
Panel Mount	No
Pitch - Mating Interface (in)	0.197 In
Pitch - Mating Interface (mm)	5.00 mm
Polarized to Mating Part	N/A
Stackable	No
Temperature Range - Operating	-40°C to +105°C
Wire Size AWG	14, 16, 18, 20, 22
Wire Size mm²	0.33 - 2.08

Electrical

Current - Maximum per Contact	15A
Voltage - Maximum	300V

Solder Process Data

Duration at Max. Process Temperature (seconds)	5
Lead-free Process Capability	Wave Capable (TH only)
Max. Cycles at Max. Process Temperature	135
Process Temperature max. C	260

Material Info

Reference - Drawing Numbers

Sales Drawing SD-39501-002, SD-39543-005



EU RoHS

**ELV and RoHS
Compliant**
REACH SVHC
 Not Reviewed
**Halogen-Free
Status**

China RoHS



Not Reviewed

**Need more information on product
environmental compliance?**

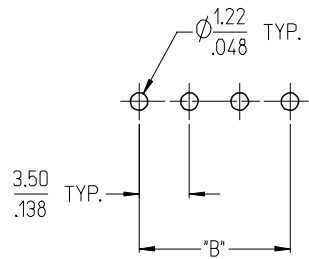
Email productcompliance@molex.com
 For a multiple part number RoHS Certificate of
 Compliance, [click here](#)

Please visit the [Contact Us](#) section for any
 non-product compliance questions.

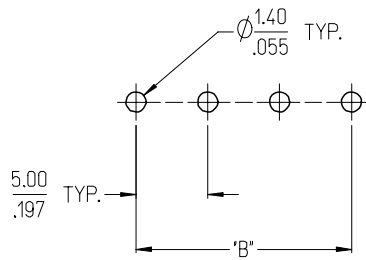
Search Parts in this Series

39543Series

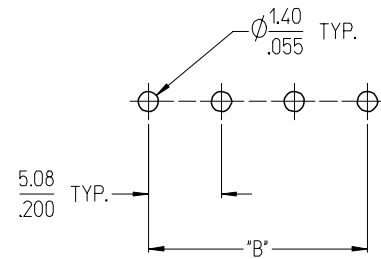
3950X SERIES
3.50mm HEADERS



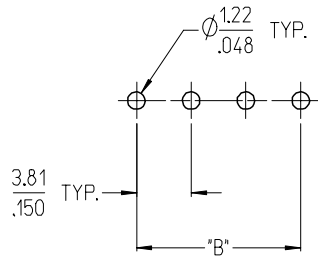
3952X & 3954X SERIES
5.00mm HEADERS
5.00mm 10 AMP FIXED



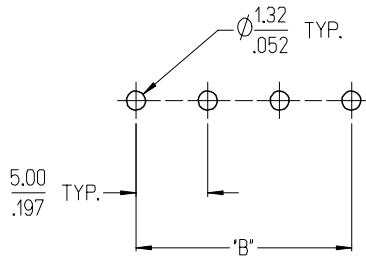
3953X SERIES
5.08mm HEADERS



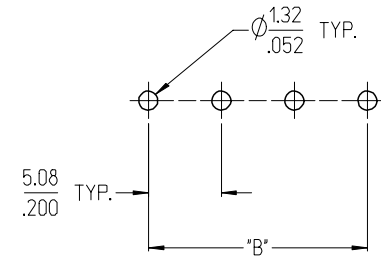
3951X SERIES
3.81mm HEADERS



3954X SERIES
5.00mm 15 AMP FIXED



3954X SERIES
5.08mm 15 AMP FIXED



NOTES:

- REFER TO INDIVIDUAL PRODUCT SALES DRAWINGS FOR "B" DIMENSION.
- DOES NOT APPLY TO DUAL LEVEL HEADERS, SERIES 39528 AND 39538.
- TYP. = TYPICAL.

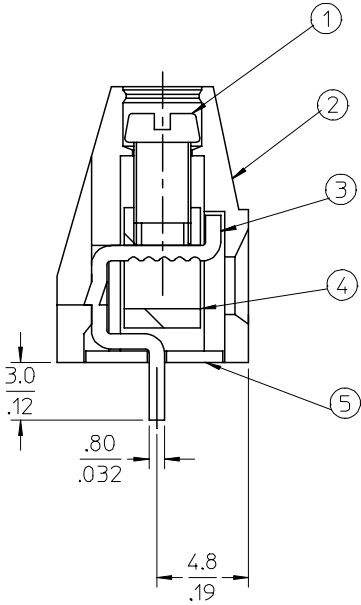
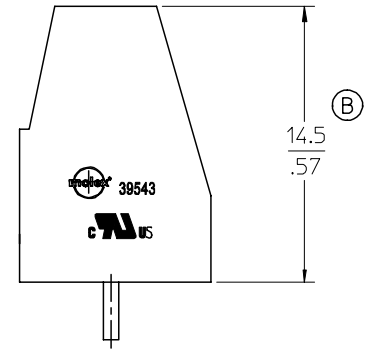
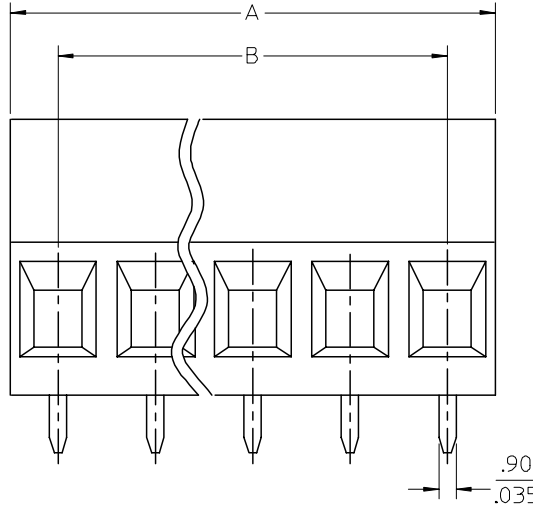
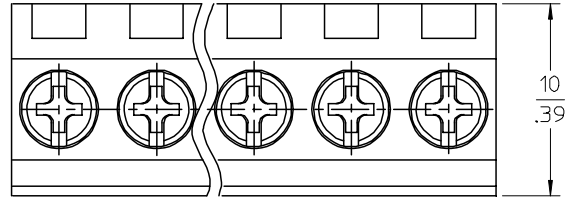
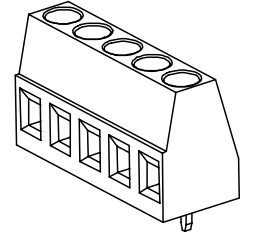
INITIAL RELEASE
EC NO: ETC2007-0096
DRW: CLYORK 2006/10/02
CHKD: JMACNEIL 2006/10/04
APPR: JMACNEIL 2006/10/04

REV	DESCRIPTION
A	QUALITY SYMBOLS ▽=0 ▽=0

GENERAL TOLERANCES (UNLESS SPECIFIED)	
	MM/IN
4 PLACES	± --- ± ---
3 PLACES	± --- ± .005
2 PLACES	± 0.13 ± .01
1 PLACE	± 0.3 ± ---
ANGULAR ± 2 °	
DRAFT WHERE APPLICABLE MUST REMAIN WITHIN DIMENSIONS	

DIMENSION STYLE	
MM/IN	
DRAWN BY	DATE
C. YORK	2006/08/25
CHECKED BY	DATE
J. MACNEIL	2006/08/25
APPROVED BY	DATE
J. MACNEIL	2006/08/25
MATERIAL NO.	---

SCALE	DESIGN UNITS	THIRD ANGLE PROJECTION
3:1	INCH	
TITLE		
RECOMMENDED PCB LAYOUT FOR ESE TERMINAL BLOCKS		
MOLEX INCORPORATED		
DOCUMENT NO.	SHEET NO.	
SD-39501-002	1 OF 1	
SIZE B THIS DRAWING CONTAINS INFORMATION THAT IS PROPRIETARY TO MOLEX INCORPORATED AND SHOULD NOT BE USED WITHOUT WRITTEN PERMISSION		



SPECIFICATIONS:

- 1. Material:
- (1). Screw: C1010.
- (2). Body: PA66
- (3). Terminal: Brass
- (4). cage: Brass
- (5). Cover: PA66
- 2. Wire range: 22 - 14AWG.
- 3. Electrical rating: 300V, 15A.
- 4. MAX TORQUE: 4.5 in-lbs.
- 5. Wire strip length: 5.00mm.
- 6. Insulation resistance: DC500V, 500M.
- 9. Operating temperature: -40C to +105C.
- 10. A = N x P.
- 11. B = (N - 1) x P
- 12. P = (Pitch) = 5.00MM (.197").
- 13. N = Number of positions available 2 through 24.
- (B) 14. ALL COMPONENTS ARE ROHS COMPLIANT.

ADDED DIM. & ROHS NOTE
 EC NO: ETC2007-0156
 DRW: JHLE 2006/10/11
 CHKD: JMACNEIL 2006/10/11
 APPR: JMACNEIL 2006/10/12

REV	DESCRIPTION
B	

QUALITY SYMBOLS	
	=0
	=0

GENERAL TOLERANCES (UNLESS SPECIFIED)		
	MM	INCH
4 PLACES	± ---	± .0015
3 PLACES	± 0.038	± .005
2 PLACES	± 0.13	± .01
1 PLACE	± 0.3	± ---
ANGULAR ± 2 °		

DIMENSION STYLE		SCALE	DESIGN UNITS	THIRD ANGLE PROJECTION
MM/IN		4:1	INCH	
DRAWN BY	DATE	TITLE		
LROTHAUS	12/6/05	5.0MM, EURO TERM BLOCK VERTICAL, PC MOUNT STAMPED TERMINAL		
CHECKED BY	DATE	MOLEX INCORPORATED		
C. YORK	01/06/06	MATERIAL NO. SEE CHART		
APPROVED BY	DATE	DOCUMENT NO. SD-39543-005		SHEET NO. 1 OF 1
DRAFT WHERE APPLICABLE MUST REMAIN WITHIN DIMENSIONS				

Description	Circuit Size	Material Numbers						Dimensional Information			
		Black			Green			Dim. A Dim B			
		100% Tin			100% Tin						
		Printing Options			Printing Options						
None	10A	11A	None	10A	11A	mm	inch	mm	inch		
5.0mm, Euro Block, PC Mount, Vertical	2	395433002	395435002	395437002	395933002	395935002	395937002	10.00	0.394	5.00	0.197
5.0mm, Euro Block, PC Mount, Vertical	3	395433003	395435003	395437003	395933003	395935003	395937003	15.00	0.591	10.00	0.394
5.0mm, Euro Block, PC Mount, Vertical	4	395433004	395435004	395437004	395933004	395935004	395937004	20.00	0.787	15.00	0.591
5.0mm, Euro Block, PC Mount, Vertical	5	395433005	395435005	395437005	395933005	395935005	395937005	25.00	0.984	20.00	0.787
5.0mm, Euro Block, PC Mount, Vertical	6	395433006	395435006	395437006	395933006	395935006	395937006	30.00	1.181	25.00	0.984
5.0mm, Euro Block, PC Mount, Vertical	7	395433007	395435007	395437007	395933007	395935007	395937007	35.00	1.378	30.00	1.181
5.0mm, Euro Block, PC Mount, Vertical	8	395433008	395435008	395437008	395933008	395935008	395937008	40.00	1.575	35.00	1.378
5.0mm, Euro Block, PC Mount, Vertical	9	395433009	395435009	395437009	395933009	395935009	395937009	45.00	1.772	40.00	1.575
5.0mm, Euro Block, PC Mount, Vertical	10	395433010	395435010	395437010	395933010	395935010	395937010	50.00	1.969	45.00	1.772
5.0mm, Euro Block, PC Mount, Vertical	11	395433011	395435011	395437011	395933011	395935011	395937011	55.00	2.165	50.00	1.969
5.0mm, Euro Block, PC Mount, Vertical	12	395433012	395435012	395437012	395933012	395935012	395937012	60.00	2.362	55.00	2.165
5.0mm, Euro Block, PC Mount, Vertical	13	395433013	395435013	395437013	395933013	395935013	395937013	65.00	2.559	60.00	2.362
5.0mm, Euro Block, PC Mount, Vertical	14	395433014	395435014	395437014	395933014	395935014	395937014	70.00	2.756	65.00	2.559
5.0mm, Euro Block, PC Mount, Vertical	15	395433015	395435015	395437015	395933015	395935015	395937015	75.00	2.953	70.00	2.756
5.0mm, Euro Block, PC Mount, Vertical	16	395433016	395435016	395437016	395933016	395935016	395937016	80.00	3.150	75.00	2.953
5.0mm, Euro Block, PC Mount, Vertical	17	395433017	395435017	395437017	395933017	395935017	395937017	85.00	3.346	80.00	3.150
5.0mm, Euro Block, PC Mount, Vertical	18	395433018	395435018	395437018	395933018	395935018	395937018	90.00	3.543	85.00	3.346
5.0mm, Euro Block, PC Mount, Vertical	19	395433019	395435019	395437019	395933019	395935019	395937019	95.00	3.740	90.00	3.543
5.0mm, Euro Block, PC Mount, Vertical	20	395433020	395435020	395437020	395933020	395935020	395937020	100.00	3.937	95.00	3.740
5.0mm, Euro Block, PC Mount, Vertical	21	395433021	395435021	395437021	395933021	395935021	395937021	105.00	4.134	100.00	3.937
5.0mm, Euro Block, PC Mount, Vertical	22	395433022	395435022	395437022	395933022	395935022	395937022	110.00	4.331	105.00	4.134
5.0mm, Euro Block, PC Mount, Vertical	23	395433023	395435023	395437023	395933023	395935023	395937023	115.00	4.528	110.00	4.331
5.0mm, Euro Block, PC Mount, Vertical	24	395433024	395435024	395437024	395933024	395935024	395937024	120.00	4.724	115.00	4.528

ADDED DIM. & ROHS NOTE EC NO: ETC2007-0156 DRW: JHLE 2006/10/11 CHKD: JMACNEIL 2006/10/11 APPR: JMACNEIL 2006/10/12	QUALITY SYMBOLS ▽=0 ▽=0	GENERAL TOLERANCES (UNLESS SPECIFIED)		DIMENSION STYLE MM/IN		SCALE 4:1	DESIGN UNITS INCH	THIRD ANGLE PROJECTION
		4 PLACES ± --- ±.0015	3 PLACES ± 0.038 ±.005	DRAWN BY LROTHAUS	DATE 12/6/05	TITLE 5.0MM, EURO TERM. BLOCK VERTICAL, PC MOUNT, STAMPED TERMINAL		
		2 PLACES ± 0.13 ±.01	1 PLACE ± 0.3 ± ---	CHECKED BY C. YORK	DATE 01/06/06			
		ANGULAR ± 2 °		APPROVED BY DATE		MOLEX INCORPORATED		
DRAFT WHERE APPLICABLE MUST REMAIN WITHIN DIMENSIONS		MATERIAL NO. SEE CHART		DOCUMENT NO. SD-39543-005		SHEET NO. 2 OF 2		
THIS DRAWING CONTAINS INFORMATION THAT IS PROPRIETARY TO MOLEX INCORPORATED AND SHOULD NOT BE USED WITHOUT WRITTEN PERMISSION								