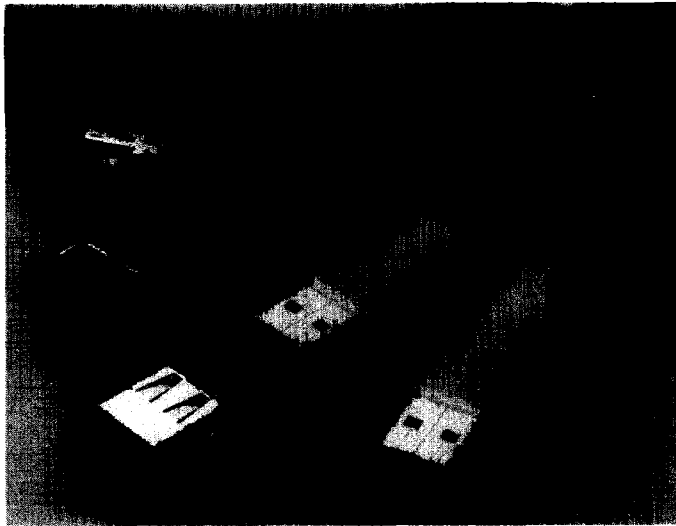


Universal Serial Bus (USB) Connector



The Universal Serial Bus (USB) Connector allows a standard for attachment of computer peripherals and devices to desktop computer through a single universal cable. Series 'A' cables are permanently attached to devices including keyboards and computer pointing devices. Series 'B' Connectors connect sockets on devices like printer and computers. Methode's USB connectors are available in a wide variety of custom configurations and options including selective gold plating, surface and right-angle mounting styles for receptacles and stacked and single level receptacles.

Materials

Contact Material: Copper Alloy

Contact Plating: Selective gold flash over contact. Front and rear shells are tin or tin-lead plating over copper

Mechanical Performance: Mating interface complies with USB Spec Rev 1.0

Features

- USB standard for peripherals and computer devices
- Available in 30 mil and selective over gold plating
- Surface mount and right angle connector styles
- Thermoplastic overmolded and stainless steel shells
- Single and double stack connector options

Electrical Performance

Current Rating: 30 VAC, 1 amp max per contact

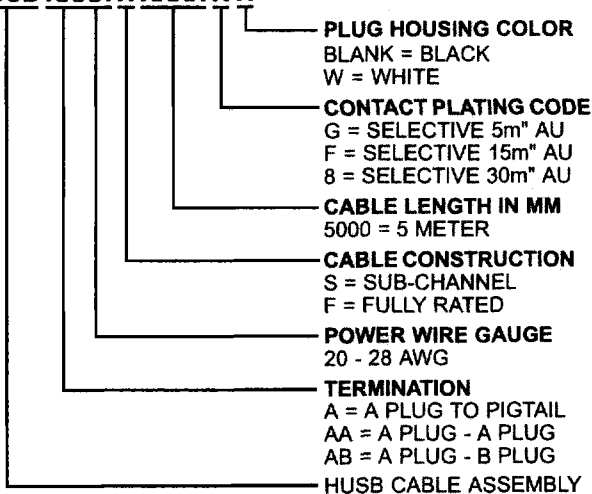
Contact Resistance: 15 milliohms max (initial)

Dielectric Withstand Voltage: 750 VAC at sea level

Capacitance: 2 picofarads max at 1 khz

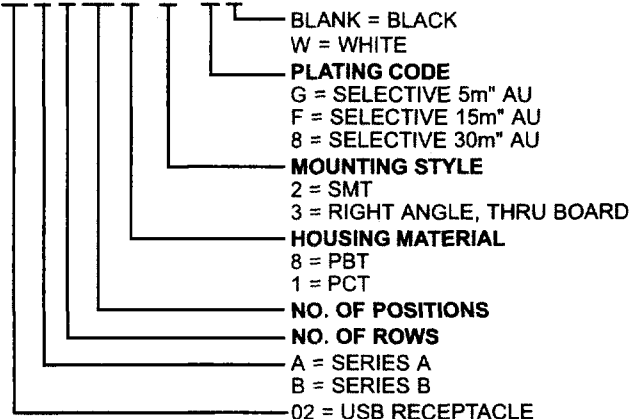
ORDERING INFORMATION FOR CABLE ASSEMBLIES

HUSB XXXX X XXXX X-X



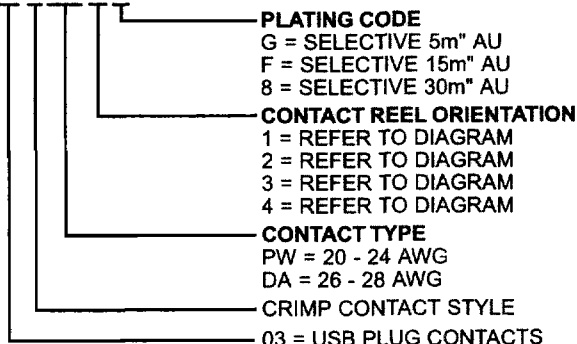
ORDERING INFORMATION FOR RECEPTACLE

02 X-X XX-X1-X00X-X



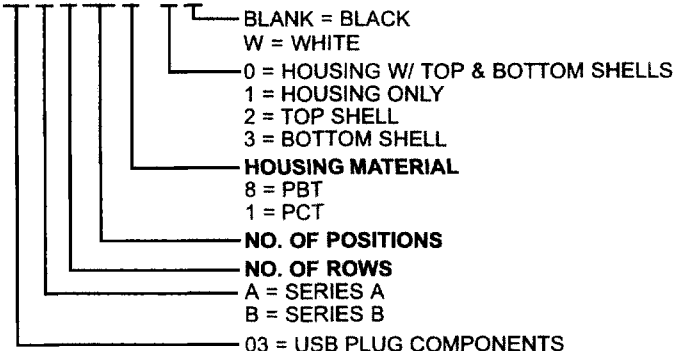
ORDERING INFORMATION FOR CONTACT

03-4 XX-X-X



ORDERING INFORMATION FOR PLUG

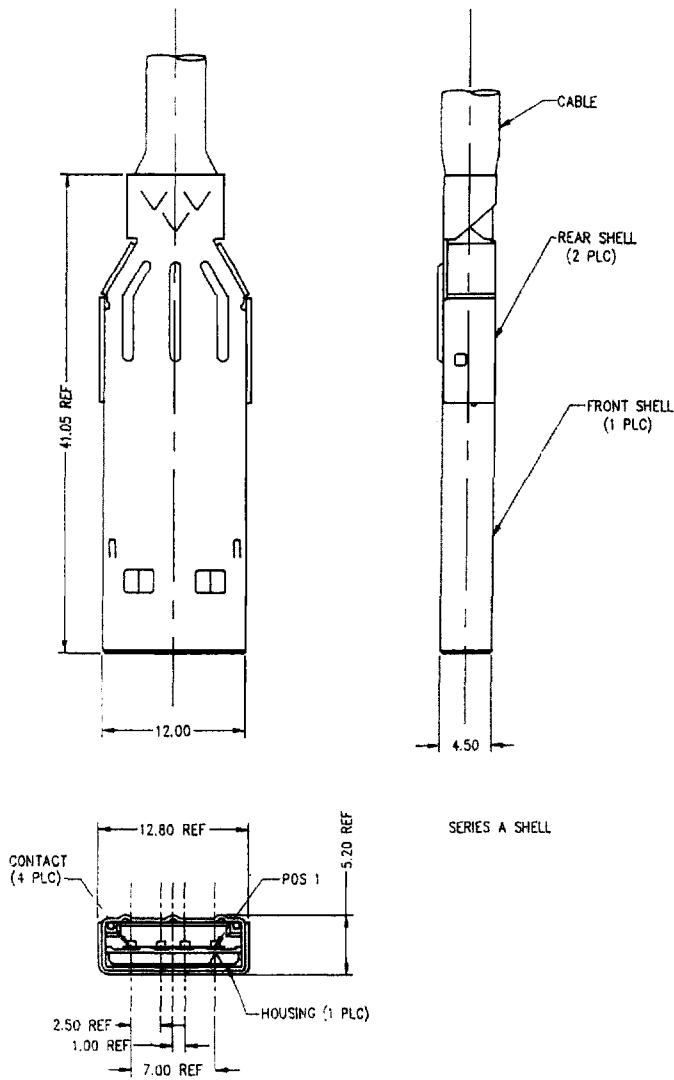
03 X-X XX-X1-X-X



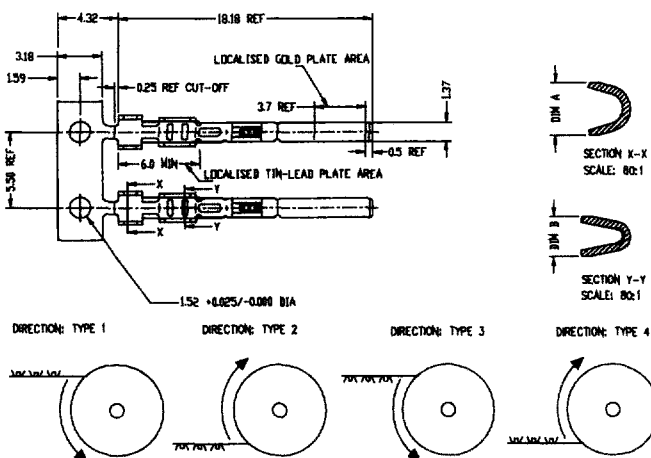
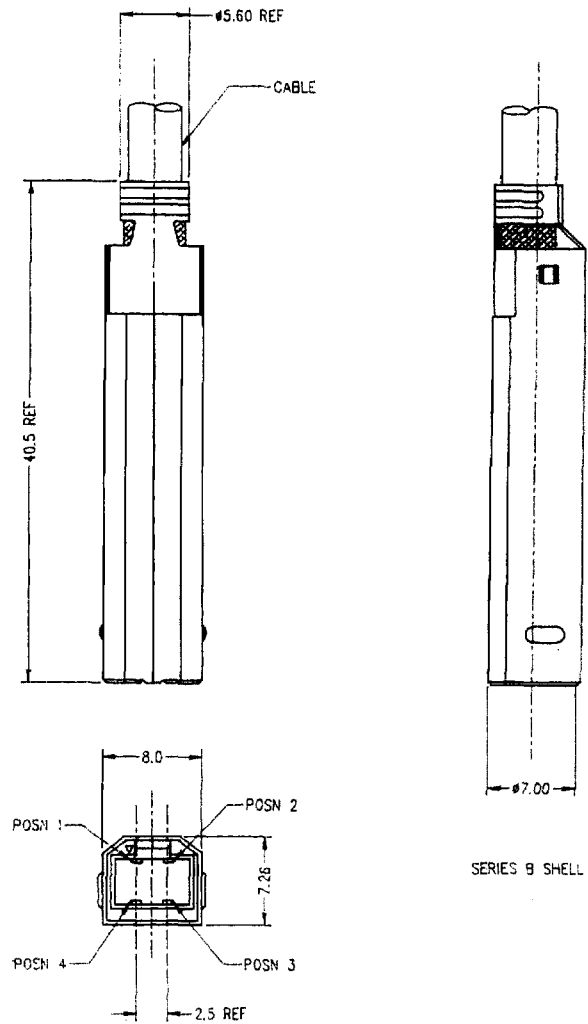
USB Series 'A' and 'B' Plugs



SERIES A SHELL



SERIES B SHELL



NOTES

- 1.0 MATERIALS: COPPER ALLOY
- 2.0 FINISHES: SELECTIVE GOLD PLATING ON MATING END;
TIN-LEAD PLATING ON TERMINATION END;
ALL NICKEL UNDERPLATED
- 3.0 RECOMMENDED APPLICABLE WIRE SIZE: REFER TO TABLE A
- 4.0 INTERPRET DIMENSIONS ACCORDING TO ANSI Y14.5M - 1982
- 5.0 UNLESS OTHERWISE SPECIFIED, ALL DIMENSIONS ARE IN MILLIMETERS

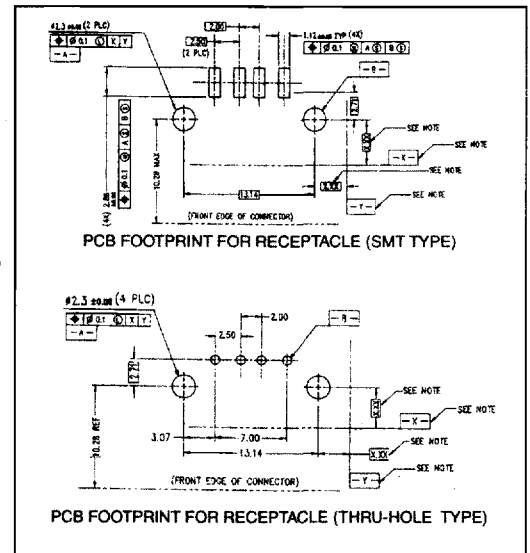
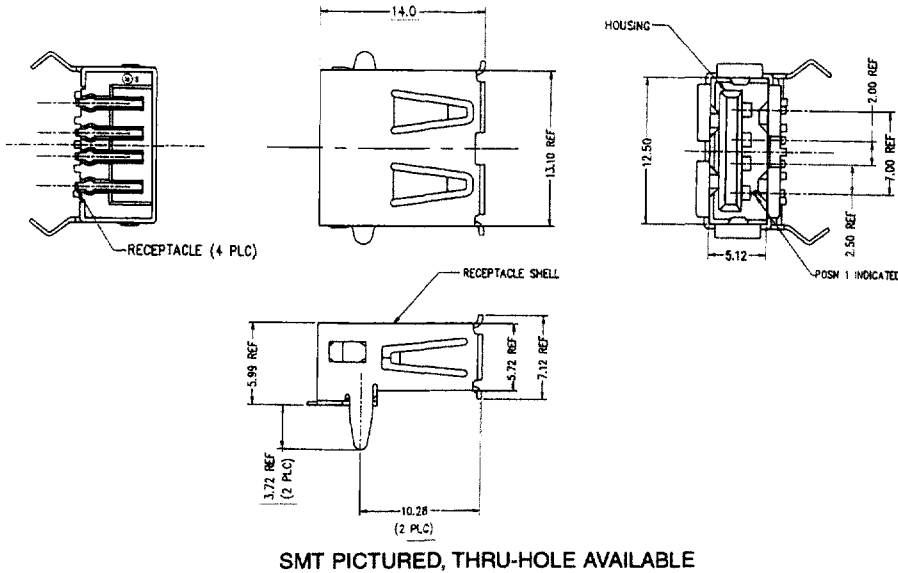
TABLE A

TYPE OF CONTACT	WIRE RANGE	INSULATION RANGE	DIMENSION	
			DIM A	DIM B
TYPE A	20 - 24 AWG	1.03 - 1.58 MM	2.41	1.90
TYPE B	26 - 28 AWG	0.79 - 1.05 MM	1.72	1.27

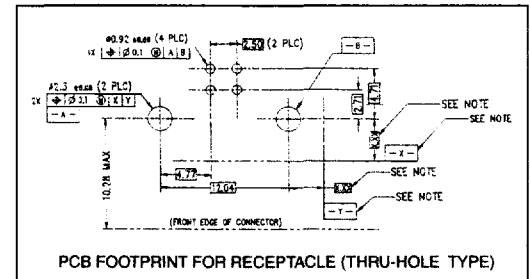
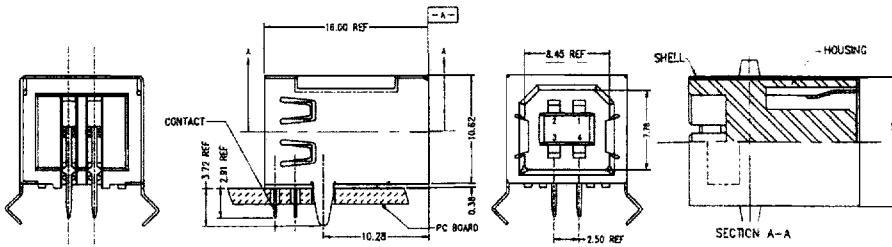
USB Series 'A' and 'B' Receptacles



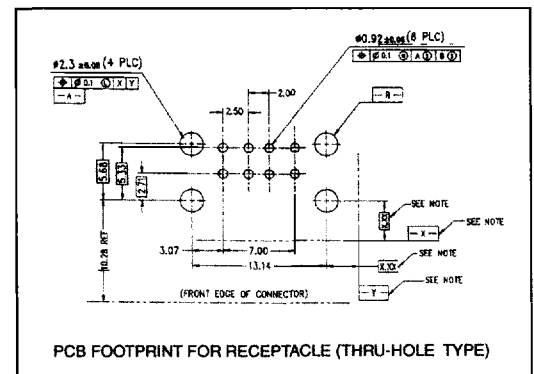
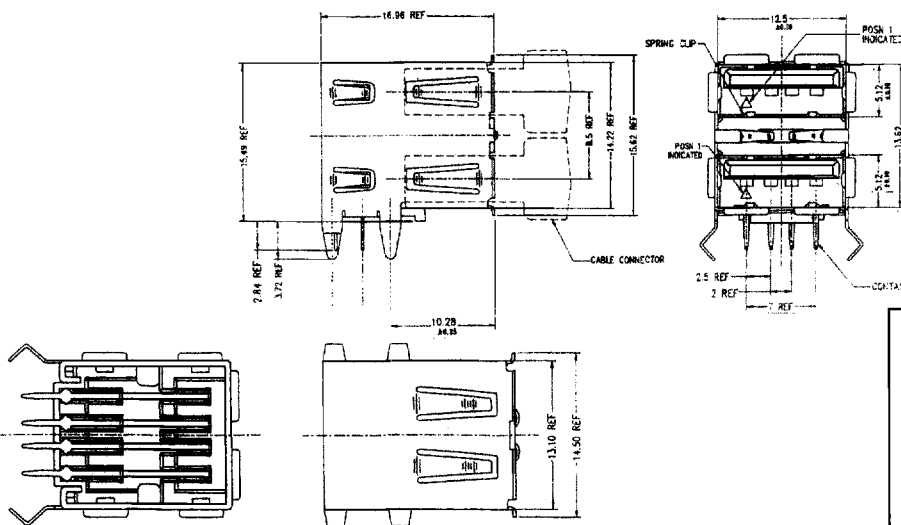
USB Series A Connector



USB Series B Thru-Hole Connector

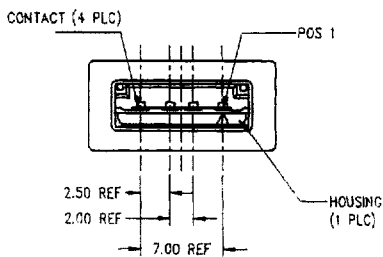
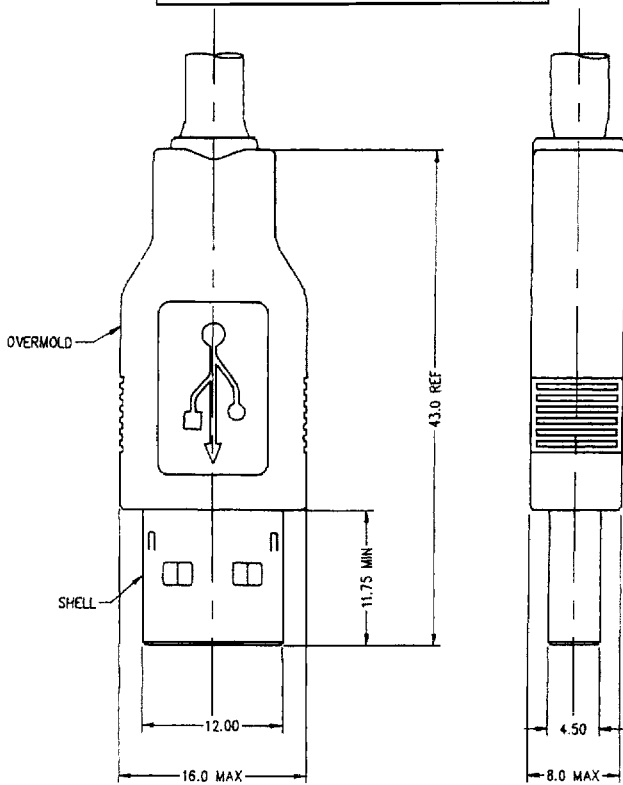
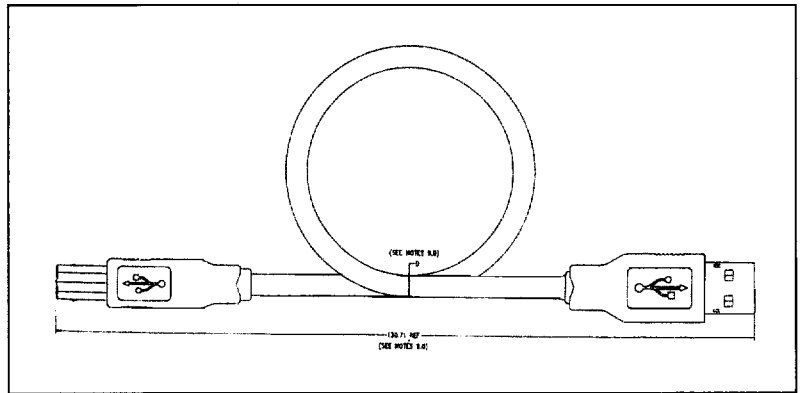
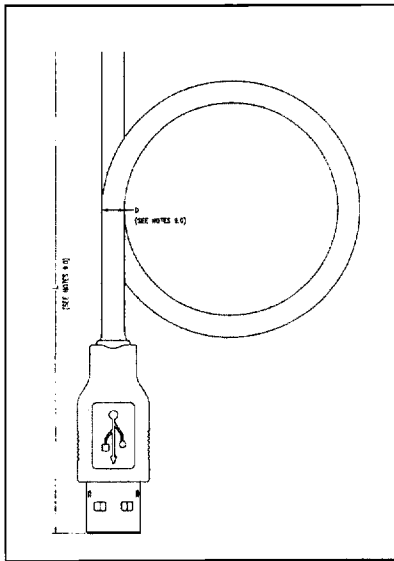


USB Series A Thru-Hole Stacked Connector



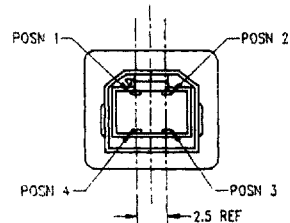
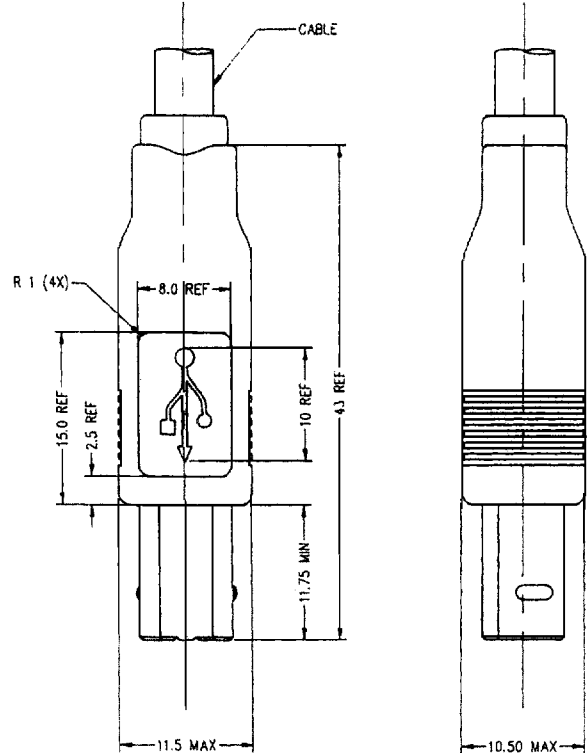
Note to PCB Footprints: Datum and basic dim established by customer

USB Series 'A' and 'B' Cables



SERIES A SHELL

SERIES A PLUG



SERIES B SHELL

SERIES B PLUG