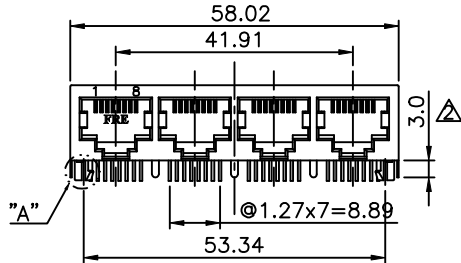
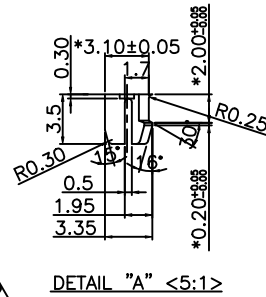
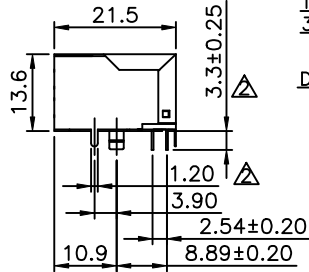


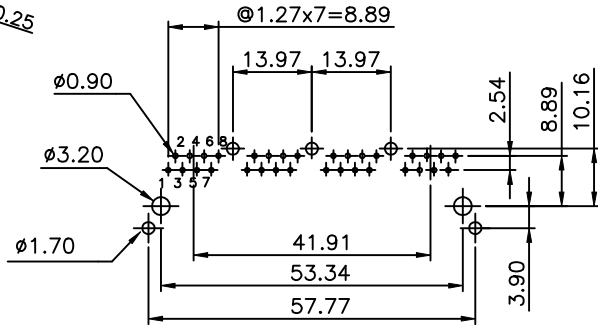
E5TAB-1FXXY4-L  
XXXX



DATE CODE  
YEAR XXXX  
WEEK DAY



REVISION RECORD				
REV	ECO	DESCRIPTION	DRFT	CHKD
△		ADD NEW P/N	YJL 04/08/05	
△		MODIFY DRAWING	SUNLL 04/28/05	
△		MODIFY PART NO.	LIUXIN 07/15/05	



PCB Layout T=1.60mm  
Component Side Shown

**NOTES:**

**Characteristics Description:**

1. RJ45 10/100 Base-Tx Transformer Jack With Transformer/ Impedance Resistor/High Voltage Capacitor.
2. Size Same As RJ-45 Modular Jack To Save PCB Board Space.
3. Reduce EMI Radiation, Improve EMI Performance.
4. Designed For Network Interface Card Application.
5. Designed To Meet IEEE 802.3u Requirement.
6. Designed For 100 Base Transmission over UTP-5 Cable.

**Electrical Specification:**

1. Rise Time(10-90%):2.5ns Typical  
OCL: 350uH Minimum @ 100KHZ 100mV 8mADC
2. Insertion Loss: -1.0dB MAX @ 100 KHZ-100 MHZ
3. Return Loss: -18dB Minimum @ 1 MHZ-30 MHZ  
-15dB Minimum @ 40 MHZ-50 MHZ  
-10dB Minimum @ 60 MHZ-80 MHZ
4. Cross Talk: -38dB Typ @ 100 KHZ-100 MHZ
5. Turn Ratio: RX=1CT:1CT(±3%) TX=1CT:1CT(±3%)  
CW/W: 20pF Typ. @100 KHZ 100mV
6. Leakage Inductance(TX&RX): 0.4uH MAX
7. CMRR: -40dB Typ @ 100 KHZ-100 MHZ
8. ISOLATION VOLTAGE @60HZ:1500Vrms(INPUT TO OUTPUT) 60SEC

**Mechanical:**

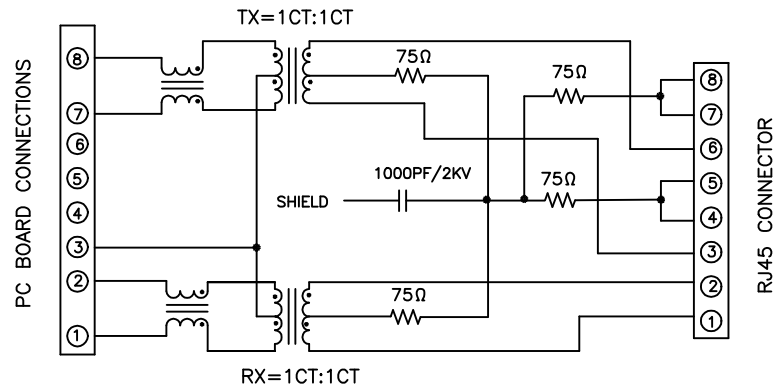
1. Housing Material : △: NYLON+30%.G.F(FR52) UL94V-0 COLOR: BLACK OR YELLOW
2. Insert Material : NYLON+30%.G.F(FR52) UL94V-0
3. Contact Mateial : Phosphor Bronze t=0.35mm.
4. Plating : 1: Contact Area- Selectine Gold Plating.  
2: TailS Tin Over Nickel.
5. Operating Life : 750 Cycles Min.
6. Pcb Retention Pre-Solder : 1 Lb Min.
7. Pcb Retention Post-Solder : 10 Lbs Min.

**Environmental:**

1. Storage : -40°C To+85°C.
2. Operation : 0°C To+70°C.
3. Wave Soldering Temperature: 255~265° (5~10 SECONDS)

Mates With Modular Plug Conforming To  
Fcc Part 68, Subpart F.

**Schematic:**



(TYPICAL FOR EACH PORT)

△△ Part Number: E5TAB-XXXXYX-L

- 15-W/O TAB
- △ 1F-W/O TAB, W/ DATE CODE&P/N
- UV-W/O LED W/"FRE" LOGO HS'G Use Material Black
- KF-W/O LED W/"FRE" LOGO HS'G Use Material Yellow
- Gold Plating: 1-3u" 2-6u" 3-15u" 4-30u" 5-50u"

DETACHED LISTS	MM (INCH)	DFTO YJL	DATE 03/16/05	FULL RISE ELECTRONIC CO., LTD	
	TOLERANCES EXCEPT AS NOTED	CHKD	DATE 05/07/05		
	MM	MFO	DATE		
	MM	APPLV	DATE		
	±			TITLE	
.0 ±0.20	±			TRANSFORMER PCB GANG JACK (4 PORTS)	
.00 ±0.15	±			DRAWING NO. G5T3218-LA	SIZE A3
.000 ±0.075	±			/PART NO. SEE NOTE	REV 3
ANGLES ±		QT'Y :		DO NOT SCALE DRAWING	07/15/05
THIRD ANGLE PROJECTION		FINISH :		SCALE : 1:1	SHEET X OF Y