

ATTENUATORS

TNC up to 6 GHz, 100 Watts

SPECIFICATIONS:

Models: XT100W-XX, XT100W-XXF, XT100W-XXM

RoHS
Compliant

AEROFLEX
A passion for performance.

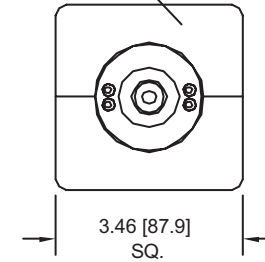
Electrical:

Frequency Range _____ DC - 6.0 GHz
 Standard Freq. Values _____ 1.5, 2.5, & 6 GHz
 Standard dB Values _____ 3, 6, 10, 20, 30 & 40 dB
 Attenuation Accuracy DC - 1.5 GHz 1.5 - 2.5 GHz 2.5 - 6 GHz
 1 - 6 dB _____ ±0.50 dB _____ ±0.50 dB _____ ±0.75 dB
 10 - 40 dB _____ ±0.75 dB _____ ±1.0 dB _____ ±1.5 dB
 VSWR (Max.) _____ 1.20:1 _____ 1.30:1 _____ 1.40:1
 Input Power _____ 100 Watts Avg.
 _____ Derated Linearly to 20 Watts @ +125°C
 Reverse Power _____ 20 Watts Max.
 Peak Power _____ 1 kW Max.
 _____ (5uSec Pulse, .05% Duty Cycle)
 Impedance _____ 50 Ohms
 Operating Temp Range _____ -55°C to +125°C

Mechanical:

TNC Connectors _____ Passivated Stainless Steel
 _____ Mates with MIL-STD-348
 Conductors _____ Gold Plated Beryllium Copper
 Housing _____ Anodized Aluminum

Custom Mtg. hole Config.
may be Added to this
Surface



**END VIEW
TYPICAL**

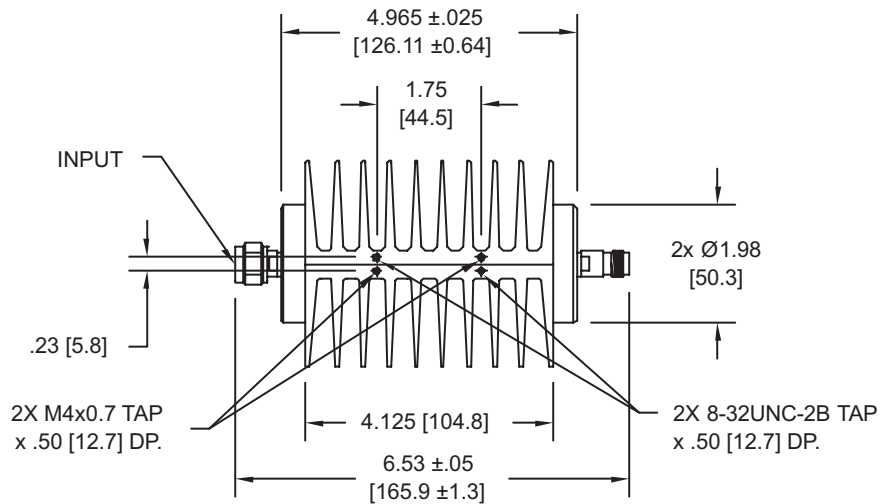
Units must be Mounted in such a way as to
Allow for Free Air Flow Around fins to Assure
Performance

Note: Units are Unidirectional, Therefore Input Connector MUST be specified & will be Indicated on Unit

Model Number: **XT100W-XX**
 Male/Female Connectors
 Length: 6.53 ±.05 [165.9 ±1.3]
 Pictured

Model Number: **XT100W-XXF**
 Female/Female Connectors
 Length: 6.62 ±.05 [168.1 ±1.3]

Model Number: **XT100W-XXM**
 Male/Male Connectors
 Length: 6.43 ±.05 [163.3 ±1.3]



HOW TO ORDER:

Model Number: **XT100W-XXY**

Freq. Range
 1 = DC - 1.5 GHz
 2 = DC - 2.5 GHz
 6 = DC - 6 GHz

Connector Configuration
 = Male/Female
 (Male Input)
 F = Fem/Fem
 M = Male/Male
 FM = Female/Male
 (Female Input)
 dB Value

Ordering Examples:

Model Number: **1T100W-1**
 DC - 1.5 GHz, 1 dB; TNC - Male/Fem

Model Number: **2T100W-3F**
 DC - 2.5 GHz, 3 dB; TNC - Fem/Fem

Model Number: **6T100W-20FM**
 DC - 6 GHz, 20 dB; TNC - Female/Male

Note: Dimensions in Brackets are Expressed in Millimeters and are for Reference Only.
 Design, specifications are subject to change without notice. Contact factory for technical
 specifications before purchasing or use.

XT100W-ATT: REV N

AEROFLEX
INMET

Aeroflex / Inmet, Inc. • 300 Dino Drive, Ann Arbor, MI 48103 • U.S.A.
 888-244-6638 or 734-426-5553 • FAX: 734-426-5557
 www.aeroflex-inmet.com • sales@eroflex-inmet.com