

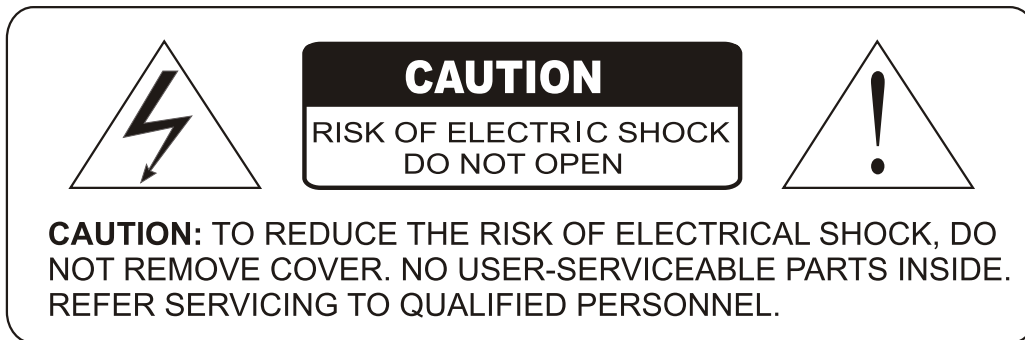


INSTRUCTIONS

XA8550

POWER AMPLIFIER

WARNING: TO REDUCE THE RISK OF FIRE OR ELECTRIC SHOCK, DO NOT EXPOSE THIS APPLIANCE TO RAIN OR MOISTURE.



Dangerous Voltage



The lightning flash with arrowhead symbol, within an equilateral triangle, is intended to alert the user to presence of uninsulated “Dangerous voltage” within the product’s enclosure that may be of sufficient magnitude to constitute a risk of electric shock to persons.

Important Instructions



The exclamation point within an equilateral triangle is intended to alert the user to presence of important operating and maintenance (servicing) instructions in the literature accompanying the appliance.



Marking by the “CE” symbol indicates compliance of this device with the EMS (Electromagnetic Compatibility) and LVD (low voltage directive) standards of the European Community.

Chapter 1

Important Safety Instruction

1.1 Before Use

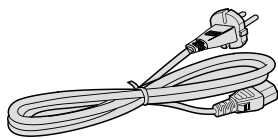
Please read all instructions and precautions carefully and completely before operating your XA8550 power amplifier.

1. Read these instructions.
2. Keep these instructions.
3. Heed all warnings.
4. Follow all instructions.
5. Do not use this apparatus near water.
6. Clean only with dry cloth.
7. Always keep this unit out of the reach of children.
8. Do not install near any heat sources such as radiators, heat registers, stoves, or other apparatus (including amplifiers) that produce heat.
9. Protect the power cord from being walked on or pinched particularly at plugs, convenience receptacles, and the point where they exit from the apparatus.
10. Unplug this apparatus during lightning storms or when unused for a long time.
11. Always disconnect your entire system from the AC mains before connecting or disconnecting any cable, or when cleaning any component.
12. This product must be terminated with a three conductor AC mains power cord which includes an earth ground connection, to prevent shock hazard, all three connections must always be used.
13. AC extension cords are not recommended for use with this product.
14. Never use flammable or combustible chemicals for cleaning audio components.
15. Never operate this product with any cover removed.
16. Never pour or spill liquids directly onto this unit.
17. Never block air flow through ventilation slots or heat sinks.
18. Never by pass any fuse.
19. Never replace any fuse with a value or type other than those specified.
20. Never attempt to repair this product, if a problem occurs, contact your dealer.
21. Never expose this product to extremely high or low temperatures.
22. Never operate this product in an explosive atmosphere.

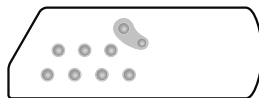
1.2 Check Accessory

Unpack your XA8550 power amplifier and keep all packing materials for future transport or service, locate and remove all accessory items from the accessory box within the controller shipping carton.

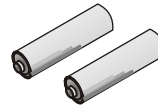
Accessories Included:



1. AC power cord × 1



2. Remote controller × 1

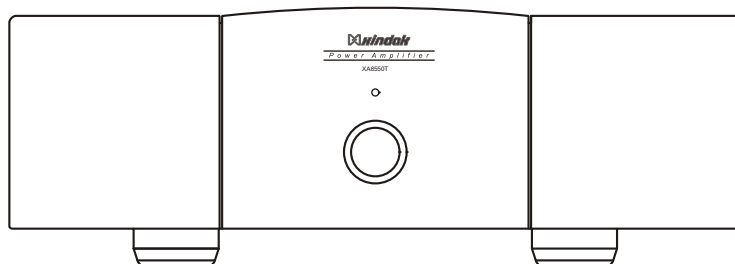


3. AAA batteries × 2



4. User manual (This manual)

2.1 Product Features



XA8550 is a Dual Channel Power Amplifier. The appearance is both simple and elegant. Besides, the sound of this unit is fast with high analysis ability and full musical taste on the base of good balance. The circuit features of this unit are as following:

Power Amplifying Circuit

The power amplifying circuit of the power stage is the classical current negative feedback circuit with full symmetrical and full complementary structure which is well appraised in audio field. The main advantages of this circuit are low distortion, wide dynamic range, good controlling ability, steady work and euphonic tone color. The current amplifying circuit is three-stage Darlington circuit, whose first stage adopts MJE350/MJE340 geminate transistors and second stage adopts Toshiba 2SC517/2SA1930 geminate transistors. The output transistors are three pairs of SANKEN 2SC3264/2SC1295 high current geminate transistors. Thus this amplifier has powerful drive. Power Supply System

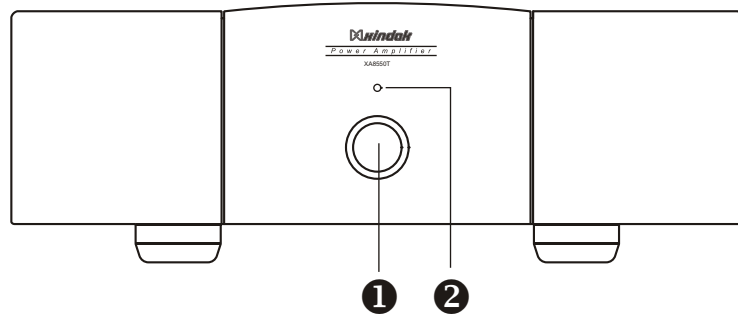
This unit adopts two 300W annular transformers as power supply, so 600W power in total. Besides, the rectifiers are 50A/400V bridge rectifiers. The main power supply filtering capacitances are 82000uF/63V Rubycon electrolytic capacitances.

RCA input port

The two pairs of RCA ports are parallel connected. When there is signal on the input ports, on the output ports the signal could be transmitted to the bass or to the second amplifier to achieve the partial tone on bi-amplifiers.

Output port

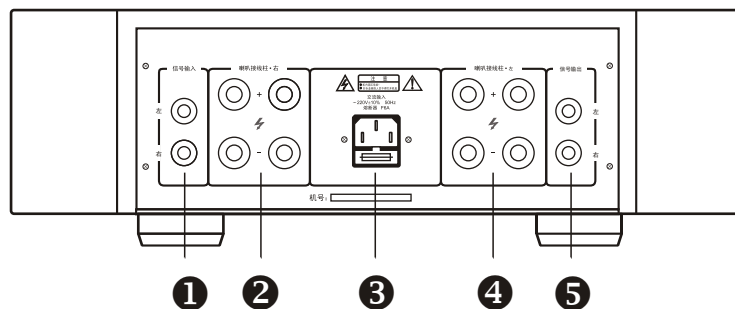
Considering the special connecting way for partial tone, two pairs of output ports for loudspeakers are offered on each channel.

2.2 Front Panel & Rear Panel

Front Panel
1 Power button

This button connects and disconnects the XA8550 from the AC mains power. By using the button to turn the system on and off.

2 Power on indicator

When this unit is switched on, the indicator will glitter, which shows the system is in pre-heating model. About 5 seconds later, the indicator will stop glittering and keep light. When the system is in protected model, the indicator will be glittering all the time.


Rear Panel
1 Audio Input

Connect the input signal by RCA.

2 Right Loudspeaker Binding Posts

To output the amplified audio signal and be connected to the right channel speaker with loudspeaker cable.

3 Power supply input jack

Connect it to the power supply by attached power Cord.

4 Left Loudspeaker Binding Posts

To output the amplified audio signal and be connected to the left channel speaker with loudspeaker cable.

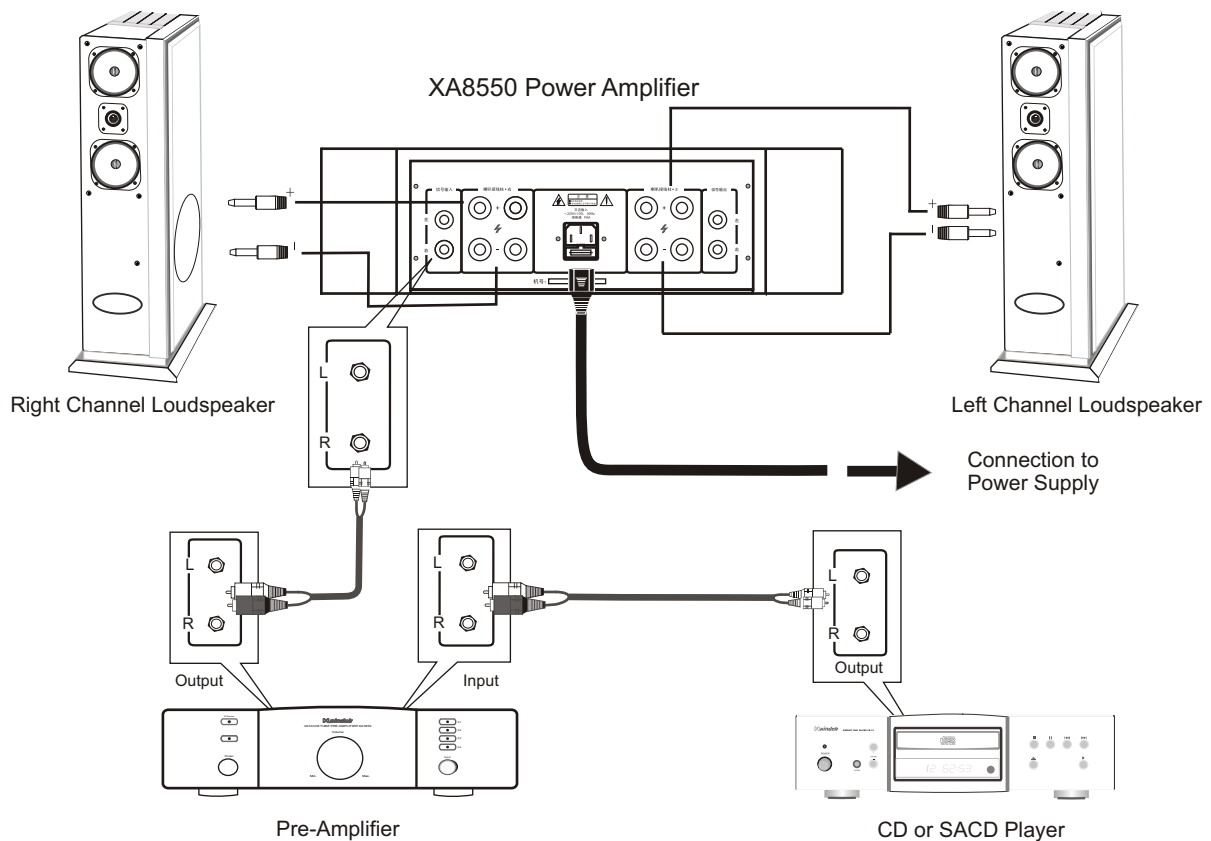
5 Signal Output

This output signal could be connected to the loudspeaker or other amplifier.

Chapter 3

Operation Instruction

3.1 Connection



1. Before using this machine, you have to connect it to sound sources (such as CD player, DVD player, SACD player) by signal cable. Also you need to check if the signal connection of the left and right channel is correct and reliable.
2. Before connecting the machine to the right and left channel speaker by speaker cables, it's strongly suggested that you consult the dealer if your speaker cable is available for this machine and make sure of the right channel and polarity.
3. Please be very careful when connecting the power cable. Make sure the power supply has been cut off before connecting to the accessory power cable. If you do have to use other power cables, please check if the specifications are up to the requirements of this machine. We claim that we are not reliable for the damages caused by the use of other power cables.



Please make sure all the power supplies have been cut off before connecting any cable to this machine. If you have no ability to install this machine, please ask those who are guided or are capable to accomplish the installation or connection.

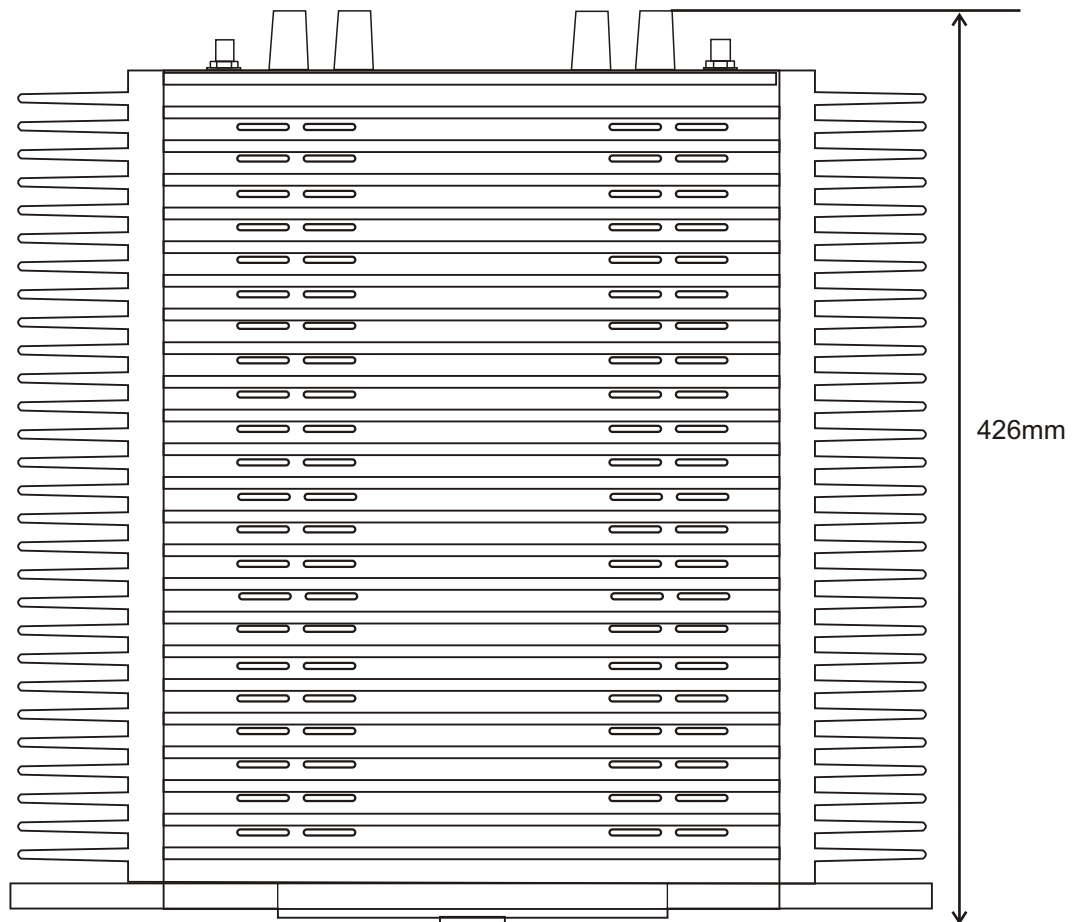
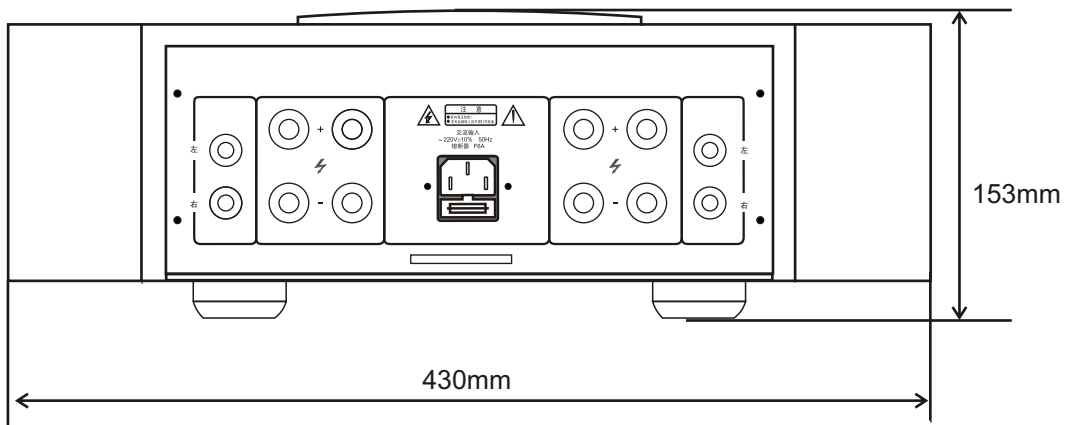
Chapter 3
Operation Instruction
3.2 General Problems and Trouble-shootings

Problem	Possible cause	Trouble-shootings
the machine is not electrified	Power connector not plug well	Plug the power connector again.
	Fuse has fused	Change the fuse coincide with the prompt requirement.
There is no sound	Sound source turned off	Turn on the sound source.
	Signal cable is broken	Check and change signal cable.
	The volume is turned down to the minimum	Turn up the volume.
	Signal selector switch wrong	Tune input selection button according to sound source.
Noise too big	Root noise of sound source too big	Replace the sound source with another one with higher Signal to Noise Ratio.
	Signal shielding effect badly	Change eligible signal cable
Left and right channel confused	Signal source input phase opposed	Connect according to the indication of left and right channel.
	Speaker wire to channels has exchanged or positive negative reversed	

Notice: if you have been confronted any problems when using this product or have any suggestion to tell us, please visit the website of xindak: <http://www.xindak.com>, you may access our instant technique support here.

4.1 Dimensions

Unit: mm



Chapter 4**Specifications****4.2 Specifications**

■ Power output	130 watts pre channel at 8 ohm 250 watts pre channel at 4 ohm
■ Frequency response	10Hz - 100KHz (±1dB)
■ Signal-to-noise ratio	95dB Typical(A Weight)
■ Audio Inputs	one pair single-ended on RCA
■ Audio Outputs	one pair record outputs on RCA two pairs speaker binding posts pre channel
■ Distortion (THD + noise)	<0.05%
■ Dimensions (W*D*H)	430mm*426mm*153mm
■ Input sensitivity	1.8V
■ Net weight	22.5Kg
■ Supply voltage	Specified on rear panel decal <i>(cannot be changed by user or dealer)</i>

* All specifications, dimensions and weights are subject to change without notice.



No.126, Section 2, East 1 Round Chengdu, Sichuan, China P.C. 610051

You can find your nearest authorized distributor and more product information on our website:
www.xindak.com



is a registered trademark of Chengdu Xindak Electronic Co.,LTD, China

© 2005 Chengdu Xindak Electronic Co.,LTD. All rights reserved.



Printed in China