

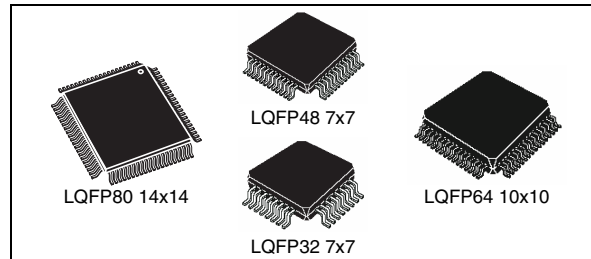


STM8AF61xx, STM8AF51xx

Automotive 8-bit MCU, with up to 128 Kbytes Flash, EEPROM, 10-bit ADC, timers, LIN, CAN, USART, SPI, I²C, 3 V to 5.5 V

Features

- Core
 - Max f_{CPU} : 24 MHz
 - Advanced STM8A core with Harvard architecture and 3-stage pipeline
 - Average 1.6 cycles/instruction resulting in 10 MIPS at 16 MHz f_{CPU} for industry standard benchmark
- Memories
 - Program memory: 32 to 128 Kbytes Flash; data retention 20 years at 55 °C
 - Data memory: up to 2 Kbytes true data EEPROM; endurance 300 kcycles
 - RAM: 2 Kbytes to 6 Kbytes
- Clock management
 - Low-power crystal resonator oscillator with external clock input
 - Internal, user-trimmable 16 MHz RC and low-power 128 kHz RC oscillators
 - Clock security system with clock monitor
- Reset and supply management
 - Multiple low-power modes (wait, slow, auto wakeup, halt) with user definable clock gating
 - Low consumption power-on and power-down reset
- Interrupt management
 - Nested interrupt controller with 32 interrupt vectors
 - Up to 37 external interrupts on 5 vectors
- Timers
 - 2 auto-reload 16-bit PWM timers with up to 3 CAPCOM channels each (IC, OC or PWM)
 - Multipurpose timer: 16-bit, 4 CAPCOM channels, 3 complementary outputs, dead-time insertion and flexible synchronization
 - 8-bit AR system timer with 8-bit prescaler
 - Auto wakeup timer
 - Window and standard watchdog timers
- Operating temperature up to 145 °C



- Communication interfaces
 - High speed 1 Mbit/s active CAN 2.0B interface
 - USART with clock output for synchronous operation - LIN master mode
 - LINUART LIN 2.1 compliant, master/slave modes with automatic resynchronization
 - SPI interface up to 10 Mbit/s or $f_{CPU}/2$
 - I²C interface up to 400 Kbit/s
- Analog to digital converter (ADC)
 - 10-bit resolution, 2 LSB TUE, 1 LSB linearity and up to 16 multiplexed channels
- I/Os
 - Up to 72 user pins including 10 high sink I/Os
 - Highly robust I/O design, immune against current injection

Table 1. Device summary⁽¹⁾

Part numbers: STM8AF61xx
STM8AF61AA, STM8AF61A9, STM8AF61A8, STM8AF619A, STM8AF6199, STM8AF6198, STM8AF618A, STM8AF6189, STM8AF6188, STM8AF6186, STM8AF6179, STM8AF6178, STM8AF6176, STM8AF6169
Part numbers: STM8AF51xx (CAN)
STM8AF51AA, STM8AF51A9, STM8AF51A8, STM8AF519A, STM8AF5199, STM8AF5198, STM8AF518A, STM8AF5189, STM8AF5188, STM8AF5179, STM8AF5178, STM8AF5169, STM8AF5168

1. This datasheet applies to product versions with and without data EEPROM. Devices without EEPROM carry the letter "H" instead of "F" in the order code.

Contents

1	Introduction	10
2	Description	11
3	Product line-up	12
4	Block diagram	13
5	Product features	14
5.1	Central processing unit STM8A (CPU)	14
5.1.1	Architecture and registers	14
5.1.2	Addressing	14
5.1.3	Instruction set	14
5.2	Non-volatile memory	15
5.2.1	Architecture	15
5.2.2	Write protection (WP)	15
5.2.3	Protection of user boot code (UBC)	15
5.2.4	Read-out protection (ROP)	16
5.3	Single wire interface module (SWIM) and debug module	16
5.3.1	SWIM	16
5.3.2	Debug module	17
5.4	Clock and clock controller	17
5.4.1	Features	17
5.4.2	Internal 16 MHz RC oscillator	18
5.4.3	Internal 128 kHz RC oscillator	18
5.4.4	Internal high-speed crystal oscillator	18
5.4.5	External clock input	18
5.4.6	Clock security system (CSS)	18
5.5	Low-power operating modes	19
5.6	Interrupt controller	19
5.7	Input/output specifications	19
5.8	Timers	19
5.8.1	Watchdog timers	19
5.8.2	Auto wakeup counter	20

5.8.3	Beeper	20
5.8.4	Multipurpose and PWM timers	20
5.8.5	System timer	21
5.9	Communication interfaces	22
5.9.1	Serial peripheral interface (SPI)	22
5.9.2	Inter integrated circuit (I ² C) interface	22
5.9.3	Universal synchronous/asynchronous receiver transmitter (USART) ..	23
5.9.4	Universal asynchronous receiver/transmitter with LIN support (LINUART)	24
5.9.5	Controller area network interface (CAN)	25
5.10	Analog to digital converter (ADC)	26
6	Pinouts and pin description	27
6.1	Package pinouts	27
6.2	Pin description	30
6.2.1	Alternate function remapping	34
7	Memory map	36
8	Interrupt table	37
9	Memory map	39
9.1	I/O register map	39
9.2	Non volatile memory	40
9.3	CPU registers	41
9.4	Miscellaneous registers	42
9.4.1	Global configuration register	42
9.4.2	Reset status register	42
9.4.3	Temporary memory unprotection key registers	42
9.5	Clock and clock controller	43
9.6	Low-power operating modes	44
9.7	Interrupt controller	44
9.7.1	Interrupt software priority registers	44
9.7.2	External interrupt control register	46
9.8	Timers	46
9.8.1	Window watchdog timer	46

9.8.2	Independent watchdog timer	46
9.8.3	Auto wakeup counter and beeper	47
9.8.4	TIM1	47
9.8.5	TIM2	49
9.8.6	TIM3	51
9.8.7	TIM4	52
9.9	Communication interfaces	53
9.9.1	Serial peripheral interface (SPI)	53
9.9.2	Inter integrated circuit (I ² C) interface	54
9.9.3	Universal synchronous/asynchronous receiver transmitter (USART)	56
9.9.4	Universal asynchronous receiver/transmitter with LIN support (LINUART)	56
9.9.5	CAN	57
9.10	Analog to digital converter (ADC)	59
10	Option bytes	60
11	Electrical characteristics	66
11.1	Parameter conditions	66
11.1.1	Minimum and maximum values	66
11.1.2	Typical values	66
11.1.3	Typical curves	66
11.1.4	Loading capacitor	66
11.1.5	Pin input voltage	67
11.2	Absolute maximum ratings	67
11.3	Operating conditions	69
11.3.1	Supply current characteristics	71
11.3.2	External clock sources and timing characteristics	75
11.3.3	Internal clock sources and timing characteristics	77
11.3.4	Memory characteristics	79
11.3.5	I/O port pin characteristics	81
11.3.6	Reset pin characteristics	85
11.3.7	TIM 1, 2, 3, and 4 electrical specifications	86
11.3.8	SPI interface	87
11.3.9	I ² C interface characteristics	90
11.3.10	10-bit ADC characteristics	91
11.3.11	EMC characteristics	93

11.4	Thermal characteristics	96
11.4.1	Reference document	96
11.4.2	Selecting the product temperature range	97
12	Package characteristics	98
12.1	ECOPACK®	98
12.2	Package mechanical data	99
13	Ordering information	103
14	Known limitations	104
14.1	Wait for event (WFE) instruction	104
14.2	JRIL and JRIH instructions	104
15	STM8 development tools	105
15.1	Emulation and in-circuit debugging tools	105
15.1.1	STice key features	105
15.2	Software tools	106
15.2.1	STM8 toolset	106
15.2.2	C and assembly toolchains	106
15.3	Programming tools	107
16	Revision history	108

List of tables

Table 1.	Device summary	1
Table 2.	STM8AF/H51xx product line-up with CAN	12
Table 3.	STM8AF/H61xx product line-up without CAN.	12
Table 4.	PWM timers	20
Table 5.	TIM4	21
Table 6.	Legend/abbreviation for Table 7	30
Table 7.	STM8A microcontroller family pin description.	31
Table 8.	Memory model 128K.	36
Table 9.	STM8A interrupt table.	37
Table 10.	I/O port hardware register map	39
Table 11.	Non volatile memory	40
Table 12.	CPU registers	41
Table 13.	CFG_GCR register map	42
Table 14.	RST_SR register map.	42
Table 15.	TMU register map and reset values	42
Table 16.	CLK register map and reset values	43
Table 17.	Interrupt software priority registers map	44
Table 18.	External interrupt control register map	46
Table 19.	WWDG register map and reset values	46
Table 20.	IWDG register map	46
Table 21.	AWU register map	47
Table 22.	BEEP register map	47
Table 23.	TIM1 register map.	47
Table 24.	TIM2 register map.	49
Table 25.	TIM3 register map.	51
Table 26.	TIM4 register map.	52
Table 27.	SPI register map and reset value	53
Table 28.	I ² C register map	54
Table 29.	USART register map.	56
Table 30.	LINUART register map and reset value	56
Table 31.	ADC register map and reset value	59
Table 32.	Option bytes	61
Table 33.	Option byte description	63
Table 34.	Voltage characteristics	67
Table 35.	Current characteristics	68
Table 36.	Thermal characteristics.	68
Table 37.	General operating conditions	69
Table 38.	Operating conditions at power-up/power-down	70
Table 39.	Total current consumption in run, wait and slow mode. General conditions for V _{DD} apply. T _A = -40 °C to 145 °C	71
Table 40.	Total current consumption in halt and active halt modes. General conditions for V _{DD} apply. T _A = -40 °C to 55 °C unless otherwise stated.	72
Table 41.	Oscillator current consumption	72
Table 42.	Programming current consumption.	72
Table 43.	Typical peripheral current consumption V _{DD} = 5.0 V	74
Table 44.	HSE external clock characteristics	75
Table 45.	HSE oscillator characteristics	76
Table 46.	HSI oscillator characteristics.	77

Table 47.	LSI oscillator characteristics	78
Table 48.	Flash program memory/data EEPROM memory	79
Table 49.	Program memory	79
Table 50.	Data memory	80
Table 51.	I/O static characteristics	81
Table 52.	NRST pin characteristics	85
Table 53.	TIM 1, 2, 3, and 4 electrical specifications	86
Table 54.	SPI characteristics	87
Table 55.	I ² C characteristics	90
Table 56.	ADC characteristics	91
Table 57.	ADC accuracy for V _{DDA} = 5 V	92
Table 58.	EMS data	93
Table 59.	EMI data	94
Table 60.	ESD absolute maximum ratings	94
Table 61.	Electrical sensitivities	95
Table 62.	Thermal characteristics	96
Table 63.	80-pin low profile quad flat package mechanical data	99
Table 64.	64-pin low profile quad flat package mechanical data	100
Table 65.	48-pin low profile quad flat package mechanical data	101
Table 66.	32-pin low profile quad flat package mechanical data	102
Table 67.	Document revision history	108

List of figures

Figure 1.	STM8A block diagram	13
Figure 2.	Flash memory organization of STM8A products.	16
Figure 3.	LQFP 80-pin pinout.	27
Figure 4.	LQFP 64-pin pinout.	28
Figure 5.	LQFP 48-pin pinout.	29
Figure 6.	LQFP 32-pin pinout.	30
Figure 7.	Register and memory map	36
Figure 8.	CAN register mapping	57
Figure 9.	CAN page mapping	58
Figure 10.	Pin loading conditions.	66
Figure 11.	Pin input voltage	67
Figure 12.	f_{CPUmax} versus V_{DD}	69
Figure 13.	Typ. $I_{DD(RUN)HSE}$ vs. V_{DD} @ $f_{CPU} = 16$ MHz, periph = on	73
Figure 14.	Typ. $I_{DD(RUN)HSE}$ vs. f_{CPU} @ $V_{DD} = 5.0$ V, periph = on	73
Figure 15.	Typ. $I_{DD(RUN)HSI}$ vs. V_{DD} @ $f_{CPU} = 16$ MHz, periph = off	73
Figure 16.	Typ. $I_{DD(WFI)HSE}$ vs. V_{DD} @ $f_{CPU} = 16$ MHz, periph = on	73
Figure 17.	Typ. $I_{DD(WFI)HSE}$ vs. f_{CPU} @ $V_{DD} = 5.0$ V, periph = on	73
Figure 18.	Typ. $I_{DD(WFI)HSI}$ vs. V_{DD} @ $f_{CPU} = 16$ MHz, periph = off	73
Figure 19.	HSE external clock source	75
Figure 20.	HSE oscillator circuit diagram.	76
Figure 21.	Typical HSI frequency vs V_{DD} .	77
Figure 22.	Typical LSI frequency vs V_{DD} .	78
Figure 23.	Typical V_{IL} and V_{IH} vs V_{DD} @ four temperatures	82
Figure 24.	Typical pull-up resistance R_{PU} vs V_{DD} @ four temperatures	82
Figure 25.	Typical pull-up current I_{pu} vs V_{DD} @ four temperatures ⁽¹⁾	82
Figure 26.	Typ. V_{OL} @ $V_{DD} = 3.3$ V (standard ports).	83
Figure 27.	Typ. V_{OL} @ $V_{DD} = 5.0$ V (standard ports).	83
Figure 28.	Typ. V_{OL} @ $V_{DD} = 3.3$ V (true open drain ports)	83
Figure 29.	Typ. V_{OL} @ $V_{DD} = 5.0$ V (true open drain ports)	83
Figure 30.	Typ. V_{OL} @ $V_{DD} = 3.3$ V (high sink ports)	83
Figure 31.	Typ. V_{OL} @ $V_{DD} = 5.0$ V (high sink ports)	83
Figure 32.	Typ. $V_{DD} - V_{OH}$ @ $V_{DD} = 3.3$ V (standard ports).	84
Figure 33.	Typ. $V_{DD} - V_{OH}$ @ $V_{DD} = 5.0$ V (standard ports).	84
Figure 34.	Typ. $V_{DD} - V_{OH}$ @ $V_{DD} = 3.3$ V (high sink ports)	84
Figure 35.	Typ. $V_{DD} - V_{OH}$ @ $V_{DD} = 5.0$ V (high sink ports)	84
Figure 36.	Typical NRST V_{IL} and V_{IH} vs V_{DD} @ four temperatures	85
Figure 37.	Typical NRST pull-up resistance R_{PU} vs V_{DD} .	85
Figure 38.	Typical NRST pull-up current I_{pu} vs V_{DD}	86
Figure 39.	Recommended reset pin protection	86
Figure 40.	SPI timing diagram in slave mode and with $CPHA = 0$.	88
Figure 41.	SPI timing diagram in slave mode and with $CPHA = 1$.	88
Figure 42.	SPI timing diagram - master mode	89
Figure 43.	Typical application with ADC	91
Figure 44.	ADC accuracy characteristics.	92
Figure 45.	80-pin low profile quad flat package (14 x 14)	99
Figure 46.	64-pin low profile quad flat package (10 x 10)	100
Figure 47.	48-pin low profile quad flat package (7 x 7)	101
Figure 48.	32-pin low profile quad flat package (7 x 7)	102

Figure 49. STM8A order codes 103

1 Introduction

This datasheet refers to the STM8AF61xx, STM8AH61xx, STM8AF51xx, STM8AH51xx products with 32 to 128 Kbytes of program memory. The STM8AF51xx and STM8AH51xx are hereafter referred to as the STM8AF/H51xx and the STM8AF61xx and STM8AH61xx are hereafter referred to as the STM8AF/H61xx. 'F' refers to product versions with data EEPROM and 'H' refers to product versions without EEPROM. The identifiers 'F' and 'H' do not both appear in an order code.

The datasheet contains the description of family features, pinout, electrical characteristics, mechanical data and ordering information.

- For complete information on the STM8A microcontroller memory, registers and peripherals, please refer to STM8A microcontroller family reference manual (RM0009).
- For information on programming, erasing and protection of the internal Flash memory please refer to the STM8 Flash programming manual (PM0047).
- For information on the debug and SWIM (single wire interface module) refer to the STM8 SWIM communication protocol and debug module user manual (UM0470).
- For information on the STM8 core, please refer to the STM8 CPU programming manual (PM0044).

2 Description

The STM8A automotive 8-bit microcontrollers covered in this datasheet offer from 32 Kbytes to 128 Kbytes of non volatile memory and integrated true data EEPROM.

The STM8AF/H51xx series feature a CAN interface.

All devices of the STM8A product line provide the following benefits:

- Reduced system cost
 - Integrated true data EEPROM for up to 300 kwrite/erase cycles
 - High system integration level with internal clock oscillators, watchdog and brown-out reset
- Performance and robustness
 - Peak performance 20 MIPS at 24 MHz and average performance 10 MIPS at 16 MHz CPU clock frequency
 - Robust I/O, independent watchdogs with separate clock source
 - Clock security system
- Short development cycles
 - Applications scalability across a common family product architecture with compatible pinout, memory map and modular peripherals.
 - Full documentation and a wide choice of development tools
- Product longevity
 - Advanced core and peripherals made in a state-of-the art technology
 - Native automotive product family operating both at 3.3 V and 5 V supply

All STM8A and ST7 microcontrollers are supported by the same tools including STVD/STVP development environment, the STice emulator and a low-cost, third party in-circuit debugging tool (for more details, see [Section 15: STM8 development tools on page 105](#)).

3 Product line-up

Table 2. STM8AF/H51xx product line-up with CAN

Order code	Package	Prog. (bytes)	RAM (bytes)	Data EE (bytes)	10-bit A/D ch.	Timers (IC/OC/PWM)	Serial interfaces	I/O wakeup pins
STM8AF/H51AAT	LQFP80 (14x14)	128 K	6 K	2 K	16	1x8-bit: TIM4 3x16-bit: TIM1, TIM2, TIM3 (9/9/9)	CAN, LIN(UART), SPI, USART, I ² C	72/37
STM8AF/H519AT		96 K						LQFP64 (10x10)
STM8AF/H51A9T	96 K	4 K						
STM8AF/H5199T	64 K	3 K						
STM8AF/H5189T	48 K	1 K						
STM8AF/H5179T	LQFP48 (7x7) ⁽¹⁾	32 K	2 K	1 K	10	1x8-bit: TIM4 3x16-bit: TIM1, TIM2, TIM3 (9/9/9)	CAN, LIN(UART), SPI, USART, I ² C	40/35
STM8AF/H5169T		128 K	6 K	2 K				
STM8AF/H51A8T		96 K	4 K	1.5 K				
STM8AF/H5198T		64 K	3 K	1 K				
STM8AF/H5188T	LQFP32 (7x7) ⁽¹⁾	48 K	3 K	1.5 K	7	1x8-bit: TIM4 3x16-bit: TIM1, TIM2, TIM3 (8/8/8)	LIN(UART), SPI, I ² C	25/23
STM8AF/H5178T		64 K	4 K	1.5 K				

1. QFN package planned

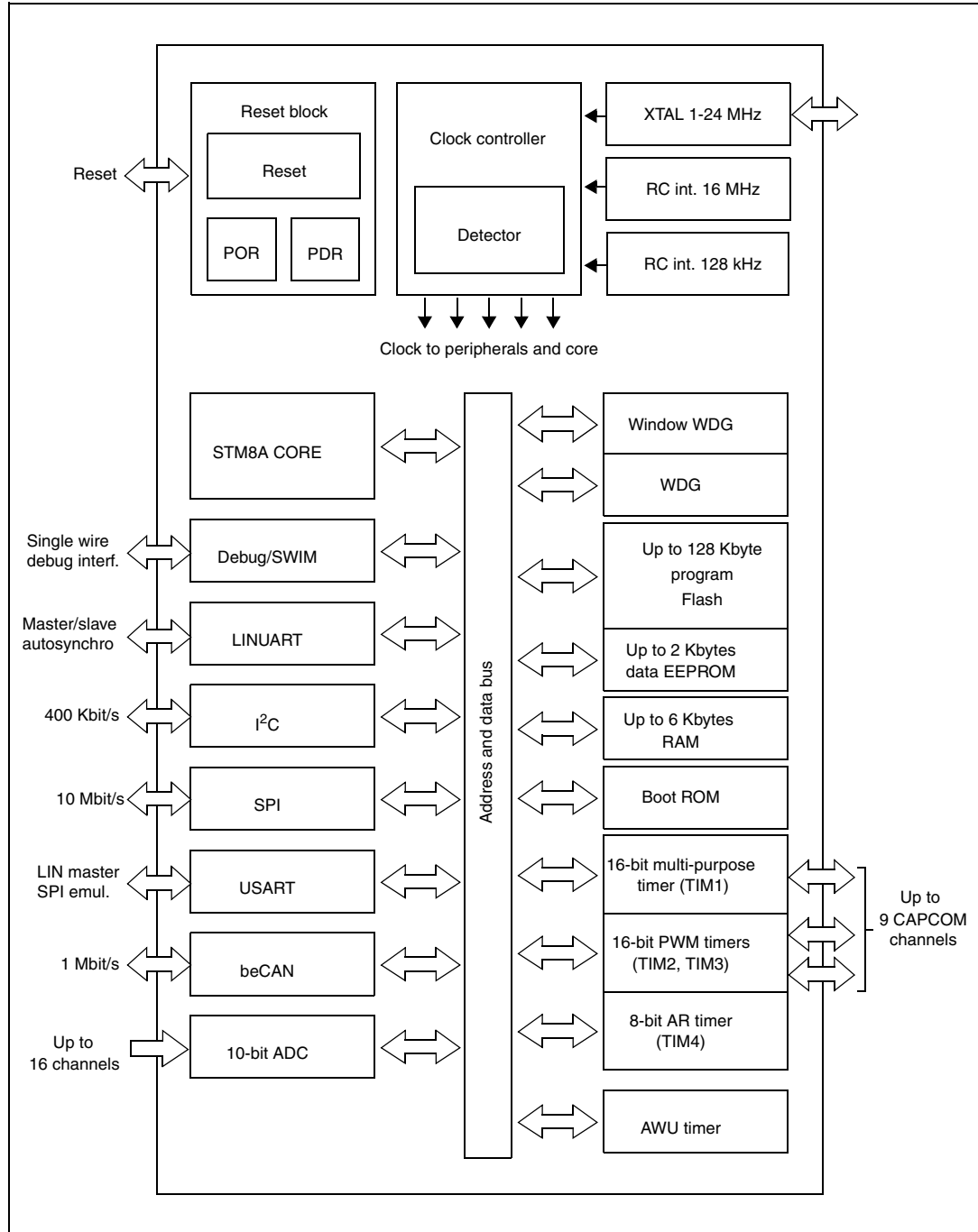
Table 3. STM8AF/H61xx product line-up without CAN

Order code	Package	Prog. (bytes)	RAM (bytes)	Data EE (bytes)	10-bit A/D ch.	Timers (IC/OC/PWM)	Serial interfaces	I/O wakeup pins
STM8AF/H61AAT	LQFP80 (14x14)	128 K	6 K	2 K	16	1x8-bit: TIM4 3x16-bit: TIM1, TIM2, TIM3 (9/9/9)	LIN(UART), SPI, USART, I ² C	72/37
STM8AF/H619AT		96 K						LQFP64 (10x10)
STM8AF/H61A9T	96 K	4 K						
STM8AF/H6199T	64 K	3 K						
STM8AF/H6189T	48 K	1 K						
STM8AF/H6179T	LQFP48 (7x7) ⁽¹⁾	32 K	2 K	1 K	10	1x8-bit: TIM4 3x16-bit: TIM1, TIM2, TIM3 (9/9/9)	LIN(UART), SPI, USART, I ² C	40/35
STM8AF/H6169T		128 K	6 K	2 K				
STM8AF/H61A8T		96 K	4 K	1.5 K				
STM8AF/H6198T		64 K	3 K	1 K				
STM8AF/H6188T	LQFP32 (7x7) ⁽¹⁾	48 K	3 K	1.5 K	7	1x8-bit: TIM4 3x16-bit: TIM1, TIM2, TIM3 (8/8/8)	LIN(UART), SPI, I ² C	25/23
STM8AF/H6178T		64 K	4 K	1.5 K				
STM8AF/H6186T	LQFP32 (7x7) ⁽¹⁾	48 K	3 K	1.5 K	7	1x8-bit: TIM4 3x16-bit: TIM1, TIM2, TIM3 (8/8/8)	LIN(UART), SPI, I ² C	25/23
STM8AF/H6176T		64 K	4 K	1.5 K				

1. QFN package planned

4 Block diagram

Figure 1. STM8A block diagram



5 Product features

This section is intended to describe the family features that are actually implemented in the products covered by this datasheet.

For more detailed information on each feature please refer to the STM8A microcontroller family reference manual (RM0009).

5.1 Central processing unit STM8A (CPU)

The 8-bit STM8A core is a modern CISC core and has been designed for code efficiency and performance. It contains 21 internal registers (six directly addressable in each execution context), 20 addressing modes including indexed indirect and relative addressing and 80 instructions.

5.1.1 Architecture and registers

- Harvard architecture
- 3-stage pipeline
- 32-bit wide program memory bus with single cycle fetching for most instructions
- X and Y 16-bit index registers, enabling indexed addressing modes with or without offset and read-modify-write type data manipulations
- 8-bit accumulator
- 24-bit program counter with 16-Mbyte linear memory space
- 16-bit stack pointer with access to a 64 Kbyte stack
- 8-bit condition code register with seven condition flags for the result of the last instruction.

5.1.2 Addressing

- 20 addressing modes
- Indexed indirect addressing mode for look-up tables located anywhere in the address space
- Stack pointer relative addressing mode for efficient implementation of local variables and parameter passing

5.1.3 Instruction set

- 80 instructions with 2-byte average instruction size
- Standard data movement and logic/arithmetic functions
- 8-bit by 8-bit multiplication
- 16-bit by 8-bit and 16-bit by 16-bit division
- Bit manipulation
- Data transfer between stack and accumulator (push/pop) with direct stack access
- Data transfer using the X and Y registers or direct memory-to-memory transfers

5.2 Non-volatile memory

- 32 Kbytes to 128 Kbytes of single voltage program Flash memory
- Up to 2 Kbytes true (not emulated) data EEPROM
- Read while write: Writing in the data memory is possible while executing code in the program memory
- The device setup is stored in a user option area in the non volatile memory

5.2.1 Architecture

- The memory is organized in blocks of 128 bytes each
- Read granularity: 1 word = 4 bytes
- Write/erase granularity: 1 word (4 bytes) or 1 block (128 bytes) in parallel
- Writing, erasing, word and block management is handled automatically by the memory interface.

5.2.2 Write protection (WP)

Write protection in application mode is intended to avoid unintentional overwriting of the memory. The write protection can be removed temporarily by executing a specific sequence in the user software.

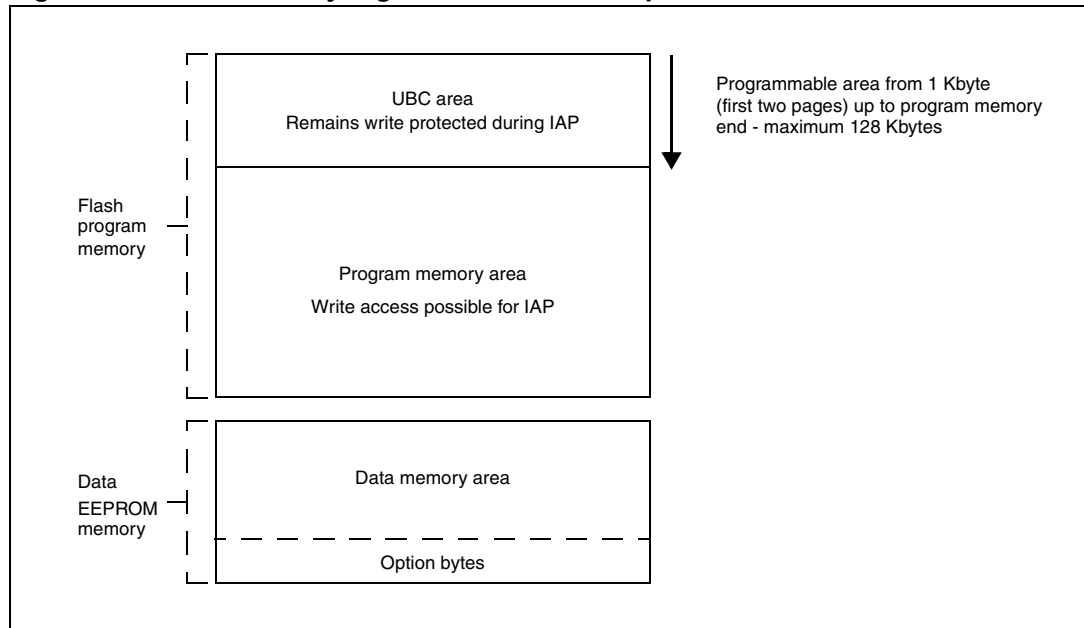
5.2.3 Protection of user boot code (UBC)

If the user chooses to update the program memory using a specific boot code to perform in application programming (IAP), this boot code needs to be protected against unwanted modification.

In the STM8A a memory area of up to 128 Kbytes can be protected from overwriting at user option level. Other than the standard write protection, the UBC protection can exclusively be modified via the debug interface, the user software cannot modify the UBC protection status.

The UBC memory area contains the reset and interrupt vectors and its size can be adjusted in increments of 512 bytes by programming the UBC and NUBC option bytes (see [Section 10: Option bytes on page 60](#)).

Figure 2. Flash memory organization of STM8A products



5.2.4 Read-out protection (ROP)

The STM8A provides a read-out protection of the code and data memory which can be activated by an option byte setting (see the ROP option byte in section 10).

The read-out protection prevents reading and writing program memory, data memory and option bytes via the debug module and SWIM interface. This protection is active in all device operation modes. Any attempt to remove the protection by overwriting the ROP option byte triggers a global erase of the program and data memory.

The ROP circuit may provide a temporary access for debugging or failure analysis. The temporary read access is protected by a user defined, 8-byte keyword stored in the option byte area. This keyword must be entered via the SWIM interface to temporarily unlock the device.

If desired, the temporary unlock mechanism can be permanently disabled by the user.

5.3 Single wire interface module (SWIM) and debug module

5.3.1 SWIM

The single wire interface module, SWIM, together with an integrated debug module, permits non-intrusive, real-time in-circuit debugging and fast memory programming. The interface can be activated in all device operation modes and can be connected to a running device (hot plugging). The maximum data transmission speed is 145 bytes/ms.

5.3.2 Debug module

The non-intrusive debugging module features a performance close to a full-flavored emulator. Besides memory and peripheral operation, CPU operation can also be monitored in real-time by means of shadow registers.

- R/W of RAM and peripheral registers in real-time
- R/W for all resources when the application is stopped
- Breakpoints on all program-memory instructions (software breakpoints), except the interrupt vector table
- Two advanced breakpoints and 23 predefined breakpoint configurations

5.4 Clock and clock controller

The clock controller distributes the system clock coming from different oscillators to the core and the peripherals. It also manages clock gating for low-power modes and ensures clock robustness.

5.4.1 Features

- **Clock sources:**
 - Internal 16 MHz and 128 kHz RC oscillators
 - Crystal/resonator oscillator
 - External clock input
- **Reset:** After reset the microcontroller restarts by default with an internal 2-MHz clock (16 MHz/8). The clock source and speed can be changed by the application program as soon as the code execution starts.
- **Safe clock switching:** Clock sources can be changed safely on the fly in run mode through a configuration register. The clock signal is not switched until the new clock source is ready. The design guarantees glitch-free switching.
- **Clock management:** To reduce power consumption, the clock controller can stop the clock to the core, individual peripherals or memory.
- **Wakeup:** In case the device wakes up from low-power modes, the internal RC oscillator (16 MHz/8) is used for quick startup. After a stabilization time, the device switches to the clock source that was selected before halt mode was entered.
- **Clock security system (CSS):** The CSS permits monitoring of external clock sources and automatic switching to the internal RC (16 MHz/8) in case of a clock failure.
- **Configurable main clock output (CCO):** This feature permits to outputs a clock signal for use by the application.

5.4.2 Internal 16 MHz RC oscillator

- Default clock after reset 2 MHz (16 MHz/8)
- Fast wakeup time

User trimming

The register CLK_HSITRIMR with two trimming bits plus one additional bit for the sign permits frequency tuning by the application program. The adjustment range covers all possible frequency variations versus supply voltage and temperature. This trimming does not change the initial production setting.

5.4.3 Internal 128 kHz RC oscillator

The frequency of this clock is 128 kHz and it is independent from the main clock. It drives the independent watchdog or the AWU wakeup timer.

In systems which do not need independent clock sources for the watchdog counters, the 128 kHz signal can be used as the system clock. This configuration has to be enabled by setting an option byte (OPT3/OPT3N, bit LSI_EN).

5.4.4 Internal high-speed crystal oscillator

The internal high-speed crystal oscillator can be selected to deliver the main clock in normal run mode. It operates with quartz crystals and ceramic resonators.

- Frequency range: 1 MHz to 24 MHz
- Crystal oscillation mode: preferred fundamental
- I/Os: standard I/O pins multiplexed with OSCIN, OSCOUT

5.4.5 External clock input

An external clock signal can be applied to the OSCIN input pin of the crystal oscillator. The frequency range is 0 to 24 MHz.

5.4.6 Clock security system (CSS)

The clock security system protects against a system stall in case of an external crystal clock failure.

In case of a clock failure an interrupt is generated and the high-speed internal clock (HSI) is automatically selected with a frequency of 2 MHz (16 MHz/8).

5.5 Low-power operating modes

The product features various low-power modes:

- Slow mode: prescaled CPU clock, selected peripherals at full clock speed
- Active halt mode: CPU and peripheral clocks are stopped, the device cyclically goes back to run mode, controlled by the AWU timer. Wakeup through external events is possible.
- Halt mode: CPU and peripheral clocks are stopped, the device remains powered on. Wakeup is triggered by an external interrupt.

In all modes the CPU and peripherals remain permanently powered on, the system clock is applied only to selected modules. The RAM content is preserved and the brown-out reset circuit remains activated.

5.6 Interrupt controller

- Nested interrupts with three software priority levels
- 24 interrupt vectors with hardware priority
- Five vectors for external interrupts (up to 37 depending on the package)
- Trap and reset interrupts

5.7 Input/output specifications

The product features four different I/O types:

- Standard I/O 2 MHz
- Fast I/O 10 MHz
- High sink 8 mA, 2 MHz
- True open drain (I²C interface)

To decrease EMI (electromagnetic interference), high sink I/Os have a limited maximum slew rate. The rise and fall times are similar to those of standard I/Os.

The analog inputs are equipped with a low leakage analog switch. Additionally, the schmitt-trigger input stage on the analog I/Os can be disabled in order to reduce the device standby consumption.

STM8A I/Os are designed to withstand current injection. For a negative injection current of 4 mA, the resulting leakage current in the adjacent input does not exceed 1 μ A. Thanks to this feature, external protection diodes against current injection are no longer required.

5.8 Timers

5.8.1 Watchdog timers

The watchdog system is based on two independent timers providing maximum security to the applications. The watchdog timer activity is controlled by the application program or option bytes. Once the watchdog is activated, it cannot be disabled by the user program without going through reset.

Window watchdog timer

The window watchdog is used to detect the occurrence of a software fault, usually generated by external interferences or by unexpected logical conditions, which cause the application program to abandon its normal sequence.

The window function can be used to trim the watchdog behavior to match the application timing perfectly. The application software must refresh the counter before time-out and during a limited time window. If the counter is refreshed outside this time window, a reset is issued.

Independent watchdog timer

The independent watchdog peripheral can be used to resolve malfunctions due to hardware or software failures.

It is clocked by the 128 kHz LSI internal RC clock source, and thus stays active even in case of a CPU clock failure. If the hardware watchdog feature is enabled through the device option bits, the watchdog is automatically enabled at power-on, and generates a reset unless the key register is written by software before the counter reaches the end of count.

5.8.2 Auto wakeup counter

This counter is used to cyclically wakeup the device in active halt mode. It can be clocked by the internal 128 kHz internal low-frequency RC oscillator or external clock

5.8.3 Beeper

This function generates a rectangular signal in the range of 1, 2 or 4 kHz which can be output on a pin. This is useful when audible sounds without interference need to be generated for use in the application.

5.8.4 Multipurpose and PWM timers

STM8A devices described in this datasheet, contain up to three 16-bit multipurpose and PWM timers providing nine CAPCOM channels in total. A CAPCOM channel can be used either as input compare, output compare or PWM channel. These timers are named TIM1, TIM2 and TIM3.

Table 4. PWM timers

Timer	Counter width	Counter type	Prescaler factor	Channels	Inverted outputs	Repetition counter	trigger unit	External trigger	Break input
TIM1	16-bit	Up/down	1 to 65536	4	3	Yes	Yes	Yes	Yes
TIM2	16-bit	Up	2^n n = 0 to 15	3	None	No	No	No	No
TIM3	16-bit	Up	2^n n = 0 to 15	2	None	No	No	No	No

TIM1: Multipurpose PWM timer

This is a high-end timer designed for a wide range of control applications. With its complementary outputs, dead-time control and center-aligned PWM capability, the field of applications is extended to motor control, lighting and bridge driver.

- 16-bit up, down and up/down AR (auto-reload) counter with 16-bit fractional prescaler.
- Four independent CAPCOM channels configurable as input capture, output compare, PWM generation (edge and center aligned mode) and single pulse mode output
- Trigger module which allows the interaction of TIM1 with other on-chip peripherals. In the present implementation it is possible to trigger the ADC upon a timer event.
- External trigger to change the timer behavior depending on external signals
- Break input to force the timer outputs into a defined state
- Three complementary outputs with adjustable dead time
- Interrupt sources: 4 x input capture/output compare, 1 x overflow/update, 1 x break

TIM2 and TIM3: 16-bit PWM timers

- 16-bit auto-reload up-counter
- 15-bit prescaler adjustable to fixed power of two ratios 1...32768
- Timers with three or two individually configurable CAPCOM channels
- Interrupt sources: 2 or 3 x input capture/output compare, 1 x overflow/update

5.8.5 System timer

The typical usage of this timer (TIM4) is the generation of a clock tick.

Table 5. TIM4

Timer	Counter width	Counter type	Prescaler factor	Channels	Inverted outputs	Repetition counter	trigger unit	External trigger	Break input
TIM4	8-bit	Up	2 ⁿ n = 0 to 7	0	None	No	No	No	No

- 8-bit auto-reload, adjustable prescaler ratio to any power of two from 1 to 128
- Clock source: master clock
- Interrupt source: 1 x overflow/update

5.9 Communication interfaces

5.9.1 Serial peripheral interface (SPI)

The devices covered by this datasheet contain one SPI. The SPI is available on all the supported packages.

- Maximum speed: 8 Mbit/s or $f_{\text{MASTER}}/2$ both for master and slave
- Full duplex synchronous transfers
- Simplex synchronous transfers on two lines with a possible bidirectional data line
- Master or slave operation - selectable by hardware or software
- CRC calculation
- 1 byte Tx and Rx buffer
- Slave mode/master mode management by hardware or software for both master and slave
- Programmable clock polarity and phase
- Programmable data order with MSB-first or LSB-first shifting
- Dedicated transmission and reception flags with interrupt capability
- SPI bus busy status flag
- Hardware CRC feature for reliable communication:
 - CRC value can be transmitted as last byte in Tx mode
 - CRC error checking for last received byte

5.9.2 Inter integrated circuit (I²C) interface

The devices covered by this datasheet contain one I²C interface. The interface is available on all the supported packages.

- I²C master features:
 - Clock generation
 - Start and stop generation
- I²C slave features:
 - Programmable I²C address detection
 - Stop bit detection
- Generation and detection of 7-bit/10-bit addressing and general call
- Supports different communication speeds:
 - Standard speed (up to 100 kHz),
 - Fast speed (up to 400 kHz)
- Status flags:
 - Transmitter/receiver mode flag
 - End-of-byte transmission flag
 - I²C busy flag
- Error flags:
 - Arbitration lost condition for master mode
 - Acknowledgement failure after address/data transmission

- Detection of misplaced start or stop condition
- Overrun/underrun if clock stretching is disabled
- Interrupt:
 - Successful address/data communication
 - Error condition
 - Wakeup from halt
- Wakeup from halt on address detection in slave mode

5.9.3 Universal synchronous/asynchronous receiver transmitter (USART)

The devices covered by this datasheet contain one USART interface. The USART can operate in standard SCI mode (serial communication interface, asynchronous) or in SPI emulation mode. It is equipped with a 16 bit fractional prescaler. It features LIN master support.

Detailed feature list:

- Full duplex, asynchronous communications
- NRZ standard format (mark/space)
- High-precision baud rate generator system
 - Common programmable transmit and receive baud rates up to $f_{\text{MASTER}}/16$
- Programmable data word length (8 or 9 bits)
- Configurable stop bits: Support for 1 or 2 stop bits
- LIN master mode:
 - LIN break and delimiter generation
 - LIN break and delimiter detection with separate flag and interrupt source for readback checking.
- Transmitter clock output for synchronous communication
- Separate enable bits for transmitter and receiver
- Transfer detection flags:
 - Receive buffer full
 - Transmit buffer empty
 - End of transmission flags
- Parity control:
 - Transmits parity bit
 - Checks parity of received data byte
- Four error detection flags:
 - Overrun error
 - Noise error
 - Frame error
 - Parity error
- Six interrupt sources with flags:
 - Transmit data register empty
 - Transmission complete
 - Receive data register full

- Idle line received
- Parity error
- LIN break and delimiter detection
- Two interrupt vectors:
 - Transmitter interrupt
 - Receiver interrupt
- Reduced power consumption mode
- Wakeup from mute mode (by idle line detection or address mark detection)
- Two receiver wakeup modes:
 - Address bit (MSB)
 - Idle line

5.9.4 Universal asynchronous receiver/transmitter with LIN support (LINUART)

The devices covered by this datasheet contain one LINUART interface. The interface is available on all the supported packages. The LINUART is an asynchronous serial communication interface which supports extensive LIN functions tailored for LIN slave applications. In LIN mode it is compliant to the LIN standards rev 1.2 to rev 2.1.

Detailed feature list:

LIN mode

Master mode:

- LIN break and delimiter generation
- LIN break and delimiter detection with separate flag and interrupt source for read back checking.

Slave mode:

- Autonomous header handling – one single interrupt per valid header
- Mute mode to filter responses
- Identifier parity error checking
- LIN automatic resynchronization, allowing operation with internal RC oscillator (HSI) clock source
- Break detection at any time, even during a byte reception
- Header errors detection:
 - Delimiter too short
 - Synch field error
 - Deviation error (if automatic resynchronization is enabled)
 - Framing error in synch field or identifier field
 - Header time-out

UART mode

- Full duplex, asynchronous communications - NRZ standard format (mark/space)
- High-precision baud rate generator
 - A common programmable transmit and receive baud rates up to $f_{MASTER}/16$
- Programmable data word length (8 or 9 bits) – 1 or 2 stop bits – parity control
- Separate enable bits for transmitter and receiver
- Error detection flags
- Reduced power consumption mode
- Multi-processor communication - enter mute mode if address match does not occur
- Wakeup from mute mode (by idle line detection or address mark detection)
- Two receiver wakeup modes:
 - Address bit (MSB)
 - Idle line

5.9.5 Controller area network interface (CAN)

The beCAN controller (basic enhanced CAN), interfaces the CAN network and supports the CAN protocol version 2.0A and B. It is equipped with a receive FIFO and a very versatile filter bank. Together with a filter match index, this allows a very efficient message handling in today's car network architectures. The CPU is significantly unloaded. The maximum transmission speed is 1 Mbit/s.

Transmission

- Three transmit mailboxes
- Configurable transmit priority by identifier or order request

Reception

- 11- and 29-bit ID
- 1 receive FIFO (3 messages deep)
- Software-efficient mailbox mapping at a unique address space
- FMI (filter match index) stored with message for quick message association
- Configurable FIFO overrun
- Time stamp on SOF reception
- 6 filter banks, 2 x 32 bytes (scalable to 4 x 16-bit) each, enabling various masking configurations, such as 12 filters for 29-bit ID or 48 filters for 11-bit ID.
- Filtering modes (mixable):
 - Mask mode permitting ID range filtering
 - ID list mode

Interrupt management

- Maskable interrupt
- Software-efficient mailbox mapping at a unique address space

5.10 Analog to digital converter (ADC)

The STM8A products described in this datasheet contain a 10-bit successive approximation ADC with up to 16 multiplexed input channels, depending on the package.

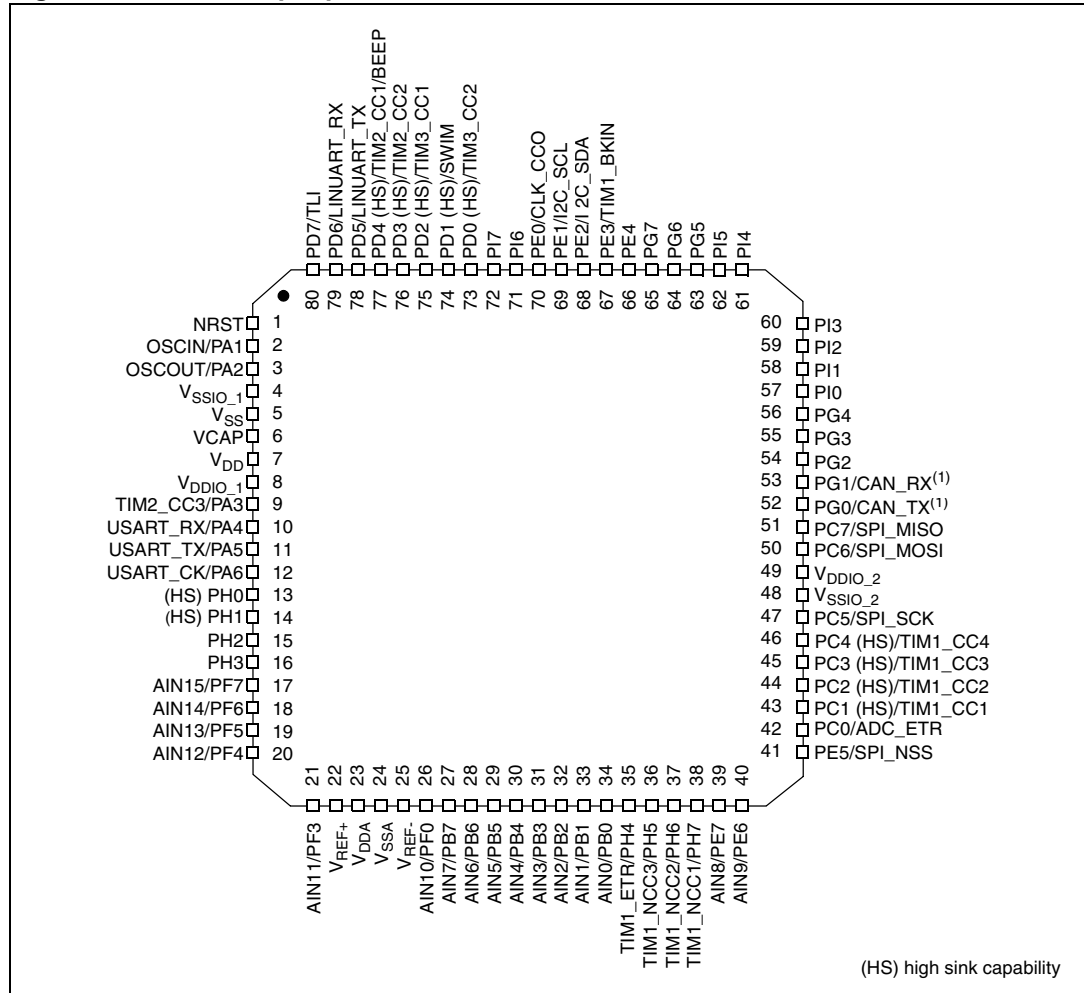
ADC features:

- 10-bit resolution
- Single and continuous conversion modes
- Programmable prescaler: f_{MASTER} divided by 2 to 18
- Conversion trigger on timer events, and external events
- Interrupt generation at end of conversion
- Selectable alignment of 10-bit data in 2 x 8 bit result registers
- Shadow registers for data consistency
- ADC input range: $V_{\text{SSA}} = V_{\text{IN}} = V_{\text{DDA}}$
- Schmitt-trigger on analog inputs can be disabled to reduce power consumption

6 Pinouts and pin description

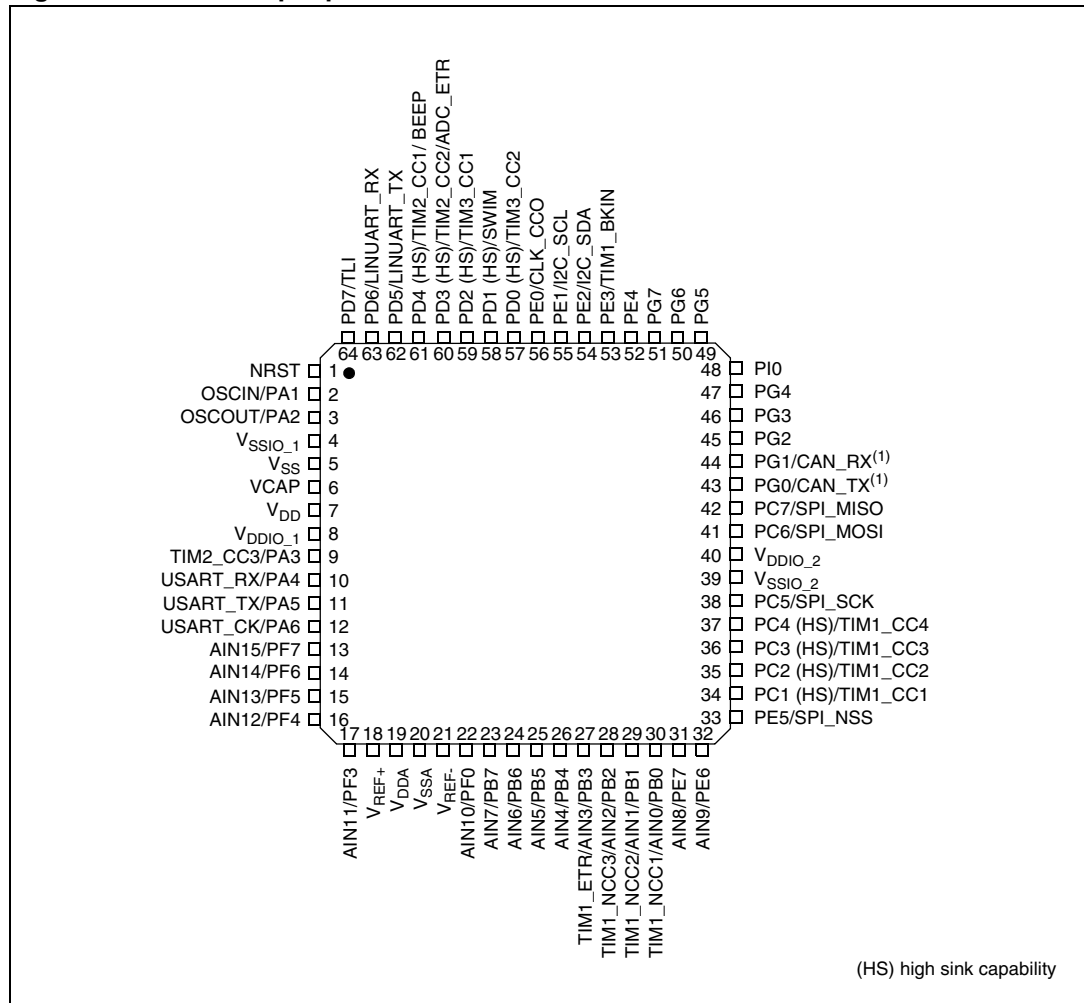
6.1 Package pinouts

Figure 3. LQFP 80-pin pinout



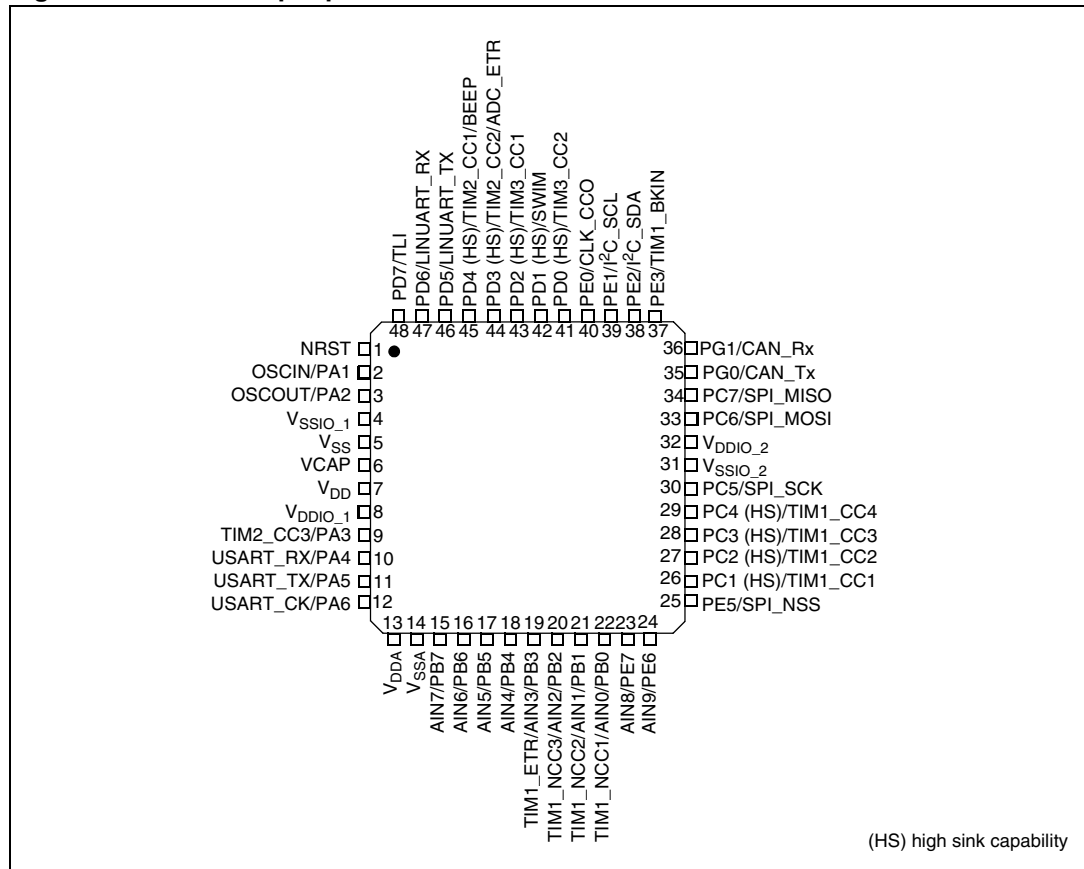
1. The CAN interface is only available on the STM8AF/H51xx product line

Figure 4. LQFP 64-pin pinout



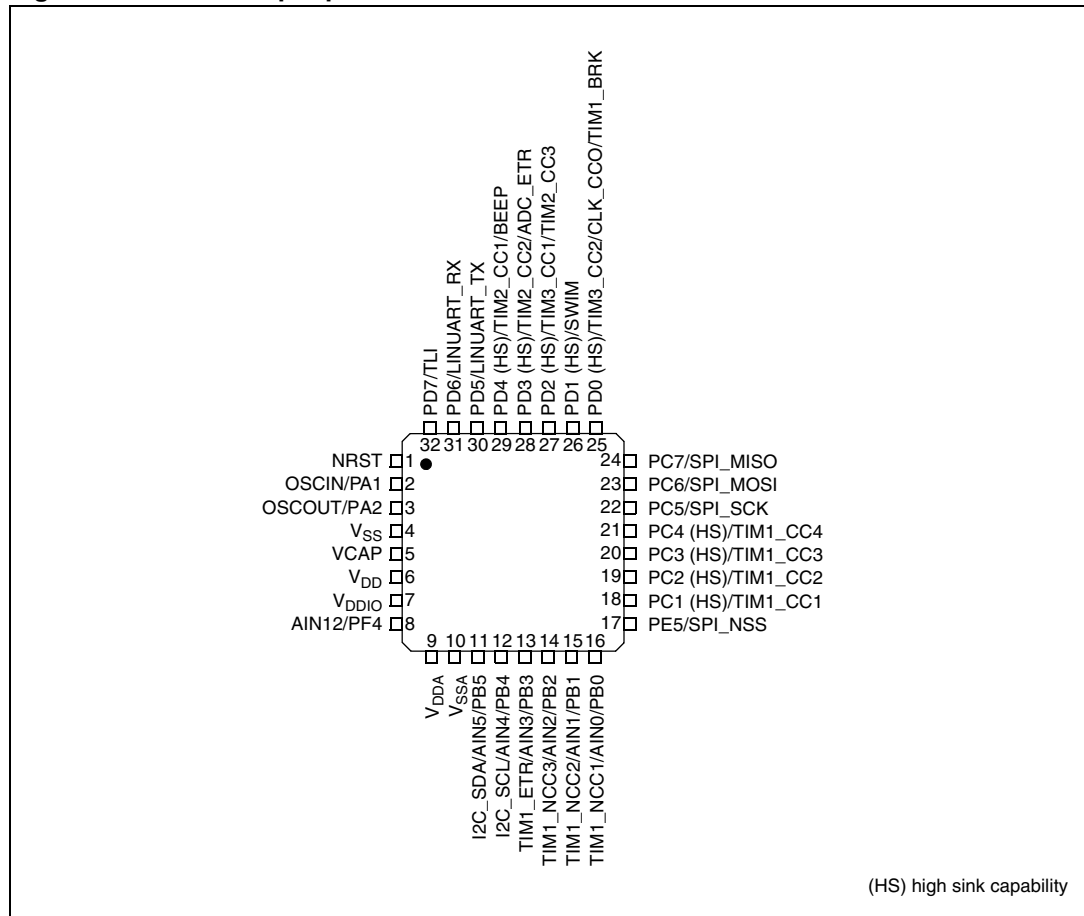
1. The CAN interface is only available on the STM8AF/H51xx product line

Figure 5. LQFP 48-pin pinout



1. The CAN interface is only available on the STM8AF/H51xx product line

Figure 6. LQFP 32-pin pinout



6.2 Pin description

Table 6. Legend/abbreviation for **Table 7**

Type	I= input, O = output, S = power supply	
Level	Input	CM = CMOS (standard for all I/Os)
	Output	HS = high sink (8 mA)
Output speed	O1 = Standard (up to 2 MHz) O2 = Fast (up to 10 MHz) O3 = Fast/slow programmability with slow as default state after reset O4 = Fast/slow programmability with fast as default state after reset	
Port and control configuration	Input	float = floating, wpu = weak pull-up
	Output	T = true open drain, OD = open drain, PP = push pull

Table 7. STM8A microcontroller family pin description

Pin number				Pin name	Type	Input			Output				Main function (after reset)	Default alternate function	Alternate function after remap [option bit]
LQFP80	LQFP64	LQFP48	LQFP32			floating	wpu	Ext. interrupt	High sink	Speed	OD	PP			
1	1	1	1	NRST	I/O	-	X	—	—	—	—	Reset		—	
2	2	2	2	PA1/OSCIN	I/O	X	X	—	—	O1	X	X	Port A1	Resonator/crystal in	—
3	3	3	3	PA2/OSCOUT	I/O	X	X	X	—	O1	X	X	Port A2	Resonator/crystal out	—
4	4	4	-	V _{SSIO_1}	S	—	—	—	—	—	—	—	I/O ground		—
5	5	5	4	V _{SS}	S	—	—	—	—	—	—	—	Digital ground		—
6	6	6	5	VCAP	S	—	—	—	—	—	—	—	1.8 V regulator capacitor		—
7	7	7	6	V _{DD}	S	—	—	—	—	—	—	—	Digital power supply		—
8	8	8	7	V _{DDIO_1}	S	—	—	—	—	—	—	—	I/O power supply		—
9	9	9	-	PA3/TIM2_CC3	I/O	X	X	X	—	O1	X	X	Port A3	Timer 2 - channel 3	TIM3_CC1 [AFR1]
10	10	10	-	PA4/USART_RX	I/O	X	X	X	—	O3	X	X	Port A4	USART receive	—
11	11	11	-	PA5/USART_TX	I/O	X	X	X	—	O3	X	X	Port A5	USART transmit	—
12	12	12	-	PA6/USART_CK	I/O	X	X	X	—	O3	X	X	Port A6	USART synchronous clock	—
13	-	-	-	PH0	I/O	X	X	—	HS	O3	X	X	Port H0	—	—
14	-	-	-	PH1	I/O	X	X	—	HS	O3	X	X	Port H1	—	—
15	-	-	-	PH2	I/O	X	X	—	—	O1	X	X	Port H2	—	—
16	-	-	-	PH3	I/O	X	X	—	—	O1	X	X	Port H3	—	—
17	13	-	-	PF7/AIN15	I/O	X	X	—	—	O1	X	X	Port F7	Analog input 15	—
18	14	-	-	PF6/AIN14	I/O	X	X	—	—	O1	X	X	Port F6	Analog input 14	—
19	15	-	-	PF5/AIN13	I/O	X	X	—	—	O1	X	X	Port F5	Analog input 13	—
20	16	-	8	PF4/AIN12	I/O	X	X	—	—	O1	X	X	Port F4	Analog input 12	—
21	17	-	-	PF3/AIN11	I/O	X	X	—	—	O1	X	X	Port F3	Analog input 11	—
22	18	-	-	V _{REF+}	S	—	—	—	—	—	—	—	ADC positive reference voltage		—

Table 7. STM8A microcontroller family pin description (continued)

Pin number				Pin name	Type	Input			Output				Main function (after reset)	Default alternate function	Alternate function after remap [option bit]
LQFP80	LQFP64	LQFP48	LQFP32			floating	wpu	Ext. interrupt	High sink	Speed	OD	PP			
23	19	13	9	V _{DDA}	S	—	—	—	—	—	—	Analog power supply		—	
24	20	14	10	V _{SSA}	S	—	—	—	—	—	—	Analog ground		—	
25	21	-	-	V _{REF-}	S	—	—	—	—	—	—	ADC negative reference voltage		—	
26	22	-	-	PF0/AIN10	I/O	X	X	—	—	O1	X	X	Port F0	Analog input 10	—
27	23	15	-	PB7/AIN7	I/O	X	X	X	—	O1	X	X	Port B7	Analog input 7	—
28	24	16	-	PB6/AIN6	I/O	X	X	X	—	O1	X	X	Port B6	Analog input 6	—
29	25	17	11	PB5/AIN5	I/O	X	X	X	—	O1	X	X	Port B5	Analog input 5	I ² C_SDA [AFR6]
30	26	18	12	PB4/AIN4	I/O	X	X	X	—	O1	X	X	Port B4	Analog input 4	I ² C_SCL [AFR6]
31	27	19	13	PB3/AIN3	I/O	X	X	X	—	O1	X	X	Port B3	Analog input 3	TIM1_ETR [AFR5]
32	28	20	14	PB2/AIN2	I/O	X	X	X	—	O1	X	X	Port B2	Analog input	TIM1_NCC 3 [AFR5]
33	29	21	15	PB1/AIN1	I/O	X	X	X	—	O1	X	X	Port B1	Analog input 1	TIM1_NCC 2 [AFR5]
34	30	22	16	PB0/AIN0	I/O	X	X	X	—	O1	X	X	Port B0	Analog input 0	TIM1_NCC 1 [AFR5]
35	-	-	-	PH4/TIM1_ETR	I/O	X	X	—	—	O1	X	X	Port H4	Timer 1 - trigger input	—
36	-	-	-	PH5/TIM1_NCC3	I/O	X	X	—	—	O1	X	X	Port H5	Timer 1 - inverted channel 3	—
37	-	-	-	PH6/TIM1_NCC2	I/O	X	X	—	—	O1	X	X	Port H6	Timer 1 - inverted channel 2	—
38	-	-	-	PH7/TIM1_NCC1	I/O	X	X	—	—	O1	X	X	Port H7	Timer 1 - inverted channel 2	—
39	31	23	-	PE7/AIN8	I/O	X	X	—	—	O1	X	X	Port E7	Analog input 8	—
40	32	24	-	PE6/AIN9	I/O	X	X	X	—	O1	X	X	Port E7	Analog input 9	—
41	33	25	17	PE5/SPI_NSS	I/O	X	X	X	—	O1	X	X	Port E5	SPI master/slave select	—

Table 7. STM8A microcontroller family pin description (continued)

Pin number				Pin name	Type	Input			Output				Main function (after reset)	Default alternate function	Alternate function after remap [option bit]
LQFP80	LQFP64	LQFP48	LQFP32			floating	wpu	Ext. interrupt	High sink	Speed	OD	PP			
42	-	-	-	PC0/ADC_ETR	I/O	X	X	X	—	O1	X	X	Port C0	ADC trigger input	—
43	34	26	18	PC1/TIM1_CC1	I/O	X	X	X	HS	O3	X	X	Port C1	Timer 1 - channel 1	—
44	35	27	19	PC2/TIM1_CC2	I/O	X	X	X	HS	O3	X	X	Port C2	Timer 1 - channel 2	—
45	36	28	20	PC3/TIM1_CC3	I/O	X	X	X	HS	O3	X	X	Port C3	Timer 1 - channel 3	—
46	37	29	21	PC4/TIM1_CC4	I/O	X	X	X	HS	O3	X	X	Port C4	Timer 1 - channel 4	—
47	38	30	22	PC5/SPI_SCK	I/O	X	X	X	—	O3	X	X	Port C5	SPI clock	—
48	39	31	-	V _{SSIO_2}	S	—	—	—	—	—	—	—	I/O ground		—
49	40	32	-	V _{DDIO_2}	S	—	—	—	—	—	—	—	I/O power supply		—
50	41	33	23	PC6/SPI_MOSI	I/O	X	X	X	—	O3	X	X	Port C6	SPI master out/ slave in	—
51	42	34	24	PC7/SPI_MISO	I/O	X	X	X	—	O3	X	X	Port C7	SPI master in/ slave out	—
52	43	35	-	PG0/CAN_Tx	I/O	X	X	—	—	O1	X	X	Port G0	CAN transmit	—
53	44	36	-	PG1/CAN_Rx	I/O	X	X	—	—	O1	X	X	Port G1	CAN receive	—
54	45	-	-	PG2	I/O	X	X	—	—	O1	X	X	Port G2	—	—
55	46	-	-	PG3	I/O	X	X	—	—	O1	X	X	Port G3	—	—
56	47	-	-	PG4	I/O	X	X	—	—	O1	X	X	Port G4	—	—
57	48	-	-	PI0	I/O	X	X	—	—	O1	X	X	Port I0	—	—
58	-	-	-	PI1	I/O	X	X	—	—	O1	X	X	Port I1	—	—
59	-	-	-	PI2	I/O	X	X	—	—	O1	X	X	Port I2	—	—
60	-	-	-	PI3	I/O	X	X	—	—	O1	X	X	Port I3	—	—
61	-	-	-	PI4	I/O	X	X	—	—	O1	X	X	Port I4	—	—
62	-	-	-	PI5	I/O	X	X	—	—	O1	X	X	Port I5	—	—
63	49	-	-	PG5	I/O	X	X	—	—	O1	X	X	Port G5	—	—
64	50	-	-	PG6	I/O	X	X	—	—	O1	X	X	Port G6	—	—
65	51	-	-	PG7	I/O	X	X	—	—	O1	X	X	Port G7	—	—
66	52	-	-	PE4	I/O	X	X	X	—	O1	X	X	Port E4	—	—

Table 7. STM8A microcontroller family pin description (continued)

Pin number				Pin name	Type	Input			Output				Main function (after reset)	Default alternate function	Alternate function after remap [option bit]
LQFP80	LQFP64	LQFP48	LQFP32			floating	wpu	Ext. interrupt	High sink	Speed	OD	PP			
67	53	37	-	PE3/TIM1_BKIN	I/O	X	X	X	—	O1	X	X	Port E3	Timer 1 - break input	—
68	54	38	-	PE2/I ² C_SDA	I/O	X	X	X	—	O1	T ⁽¹⁾	-	Port E2	I ² C data	—
69	55	39	-	PE1/I ² C_SCL	I/O	X	X	X	—	O1	T ⁽¹⁾	-	Port E1	I ² C clock	—
70	56	40	-	PE0/CLK_CCO	I/O	X	X	X	—	O3	X	X	Port E0	Configurable clock output	—
71	-	-	-	PI6	I/O	X	X	—	—	O1	X	X	Port I6	—	—
72	-	-	-	PI7	I/O	X	X	—	—	O1	X	X	Port I7	—	—
73	57	41	25	PD0/TIM3_CC2	I/O	X	X	X	HS	O3	X	X	Port D0	Timer 3 - channel 2	TIM1_BKIN [AFR3]/CLK_CCO [AFR2]
74	58	42	26	PD1/SWIM	I/O	X	X	X	HS	O4	X	X	Port D1	SWIM data interface	—
75	59	43	27	PD2/TIM3_CC1	I/O	X	X	X	HS	O3	X	X	Port D2	Timer 3 - channel 1	TIM2_CC3 [AFR1]
76	60	44	28	PD3/TIM2_CC2	I/O	X	X	X	HS	O3	X	X	Port D3	Timer 2 - channel 2	ADC_ETR [AFR0]
77	61	45	29	PD4/TIM2_CC1/BEEP	I/O	X	X	X	HS	O3	X	X	Port D4	Timer 2 - channel 1	BEEP output [AFR7]
78	62	46	30	PD5/LINUART_TX	I/O	X	X	X	—	O1	X	X	Port D5	LINUART data transmit	—
79	63	47	31	PD6/LINUART_RX	I/O	X	X	X	—	O1	X	X	Port D6	LINUART data receive	—
													Caution: This pin must be held low during power on		
80	64	48	32	PD7/TLI ⁽²⁾	I/O	X	X	X	—	O1	X	X	Port D7	Top level interrupt	TIM1_CC4 [AFR4]

1. In the open-drain output column, 'T' defines a true open-drain I/O (P-buffer and protection diode to V_{DD} are not implemented)

2. If this pin is configured as interrupt pin, it will trigger the TLI

6.2.1 Alternate function remapping

As shown in the rightmost column of [Table 7](#), some alternate functions can be remapped at different I/O ports by programming one of eight AFR (alternate function remap) option bits. Refer to [Section 10: Option bytes on page 60](#). When the remapping option is active, the default alternate function is no longer available.

To use an alternate function, the corresponding peripheral must be enabled in the peripheral registers.

Alternate function remapping does not effect GPIO capabilities of the I/O ports (see the GPIO section of the STM8A microcontroller family reference manual, RM0009).

7 Memory map

Figure 7. Register and memory map

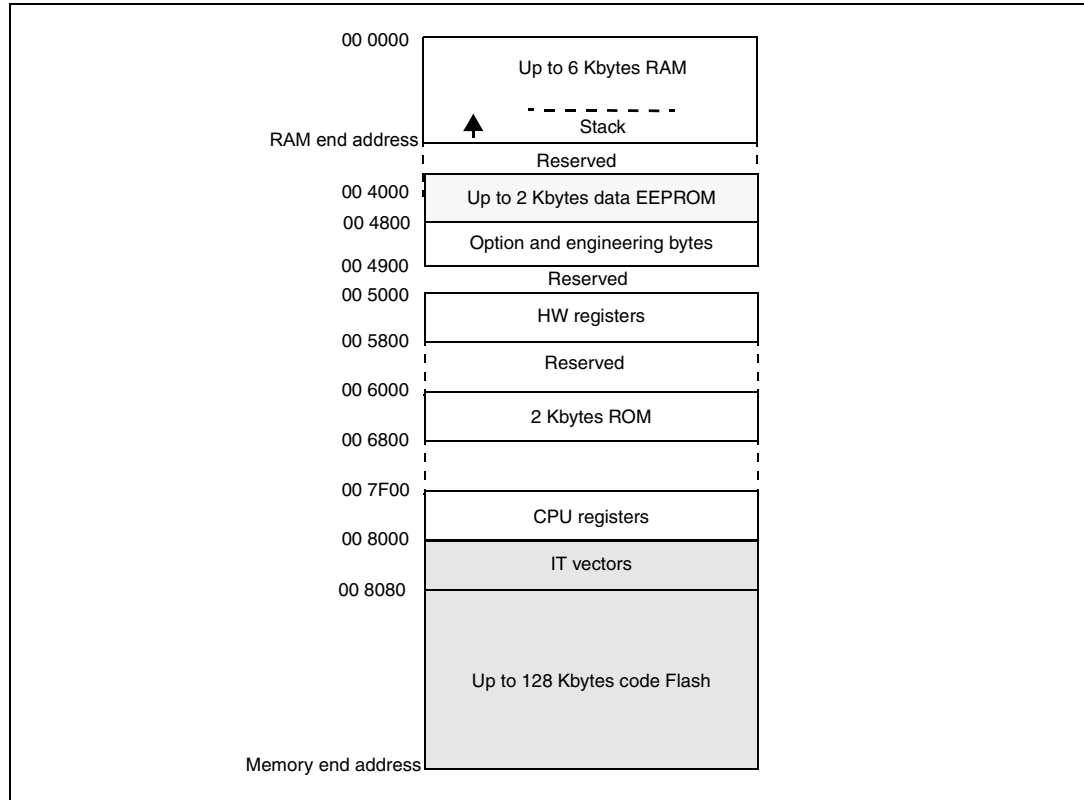


Table 8. Memory model 128K

Program memory size	Program memory end address	RAM size	RAM end address	Stack roll-over address
128K	27FFFh	6K	17FFh	1400h
96K	1FFFFh	6K	17FFh	1400h
64K	17FFFh	4K	0FFFh	n/a ⁽¹⁾
48K	13FFFh	3K	0BFFh	n/a ⁽¹⁾
32K	0FFFFh	2K	07FFh	n/a ⁽¹⁾

1. if the device is containing the super set silicon (salestype contains SSS), the roll-over address is the same as on the 128K device. For more information on stack handling refer to section 2.1.2 in the reference manual RM0009. For more information on salestype composition, refer to section 13 in the present document.

8 Interrupt table

Table 9. STM8A interrupt table

Priority	Source block	Description	Interrupt vector address	Wakeup from halt	Comments
—	Reset	Reset	6000h	Yes	Reset vector in ROM
—	TRAP	SW interrupt	8004h	—	—
0	TLI	External top level interrupt	8008h	—	—
1	AWU	Auto wakeup from halt	800Ch	Yes	—
2	Clock controller	Main clock controller	8010h	—	—
3	MISC	Ext interrupt E0	8014h	Yes	Port A interrupts
4	MISC	Ext interrupt E1	8018h	Yes	Port B interrupts
5	MISC	Ext interrupt E2	801Ch	Yes	Port C interrupts
6	MISC	Ext interrupt E3	8020h	Yes	Port D interrupts
7	MISC	Ext interrupt E4	8024h	Yes	Port E interrupts
8	CAN	CAN interrupt Rx	8028h	Yes	—
9	CAN	CAN interrupt TX/ER/SC	802Ch	—	—
10	SPI	End of transfer	8030h	Yes	—
11	Timer 1	Update/overflow/trigger/break	8034h	—	—
12	Timer 1	Capture/compare	8038h	—	—
13	Timer 2	Update/overflow	803Ch	—	—
14	Timer 2	Capture/compare	8040h	—	—
15	Timer 3	Update/overflow	8044h	—	—
16	Timer 3	Capture/compare	8048h	—	—
17	USART (SCI1)	Tx complete	804Ch	—	—
18	USART (SCI1)	Receive data full reg.	8050h	—	—
19	I ² C	I ² C interrupts	8054h	Yes	—
20	LINUART (SCI2)	Tx complete/error	8058h	—	—
21	LINUART (SCI2)	Receive data full reg.	805Ch	—	—
22	ADC	End of conversion	8060h	—	—

Table 9. STM8A interrupt table (continued)

Priority	Source block	Description	Interrupt vector address	Wakeup from halt	Comments
23	Timer 4	Update/overflow	8064h	—	—
24	EEPROM ⁽¹⁾	End of programming/ write in not allowed area	8068h	—	—

1. All unused interrupts must be initialized with 'IRET' for robust programming.

9 Memory map

In this section the memory map of the devices covered by this datasheet is described. For a detailed description of the functionality of the registers, refer to the reference manual RM009.

9.1 I/O register map

Table 10. I/O port hardware register map

Address	Block	Register label	Register name	Reset status
00 5000h	Port A	PA_ODR	Port A data output latch register	00h
00 5001h		PA_IDR	Port A input pin value register	00h
00 5002h		PA_DDR	Port A data direction register	00h
00 5003h		PA_CR1	Port A control register 1	00h
00 5004h		PA_CR2	Port A control register 2	00h
00 5005h	Port B	PB_ODR	Port B data output latch register	00h
00 5006h		PB_IDR	Port B input pin value register	00h
00 5007h		PB_DDR	Port B data direction register	00h
00 5008h		PB_CR1	Port B control register 1	00h
00 5009h		PB_CR2	Port B control register 2	00h
00 500Ah	Port C	PC_ODR	Port C data output latch register	00h
00 500Bh		PC_IDR	Port C input pin value register	00h
00 500Ch		PC_DDR	Port C data direction register	00h
00 500Dh		PC_CR1	Port C control register 1	00h
00 500Eh		PC_CR2	Port C control register 2	00h
00 500Fh	Port D	PD_ODR	Port D data output latch register	00h
00 5010h		PD_IDR	Port D input pin value register	00h
00 5011h		PD_DDR	Port D data direction register	00h
00 5012h		PD_CR1	Port D control register 1	00h
00 5013h		PD_CR2	Port D control register 2	00h
00 5014h	Port E	PE_ODR	Port E data output latch register	00h
00 5015h		PE_IDR	Port E input pin value register	00h
00 5016h		PE_DDR	Port E data direction register	00h
00 5017h		PE_CR1	Port E control register 1	00h
00 5018h		PE_CR2	Port E control register 2	00h

Table 10. I/O port hardware register map (continued)

Address	Block	Register label	Register name	Reset status
00 5019h	Port F	PF_ODR	Port F data output latch register	00h
00 501Ah		PF_IDR	Port F input pin value register	00h
00 501Bh		PF_DDR	Port F data direction register	00h
00 501Ch		PF_CR1	Port F control register 1	00h
00 501Dh		PF_CR2	Port F control register 2	00h
00 501Eh	Port G	PG_ODR	Port G data output latch register	00h
00 501Fh		PG_IDR	Port G input pin value register	00h
00 5020h		PG_DDR	Port G data direction register	00h
00 5021h		PG_CR1	Port G control register 1	00h
00 5022h		PG_CR2	Port G control register 2	00h
00 5023h	Port H	PH_ODR	Port H data output latch register	00h
00 5024h		PH_IDR	Port H input pin value register	00h
00 5025h		PH_DDR	Port H data direction register	00h
00 5026h		PH_CR1	Port H control register 1	00h
00 5027h		PH_CR2	Port H control register 2	00h
00 5028h	Port I	PI_ODR	Port I data output latch register	00h
00 5029h		PI_IDR	Port I input pin value register	00h
00 502Ah		PI_DDR	Port I data direction register	00h
00 502Bh		PI_CR1	Port I control register 1	00h
00 502Ch		PI_CR2	Port I control register 2	00h

9.2 Non volatile memory

Table 11. Non volatile memory

Address	Register name	7	6	5	4	3	2	1	0
00 505Ah	FLASH_CR1 Reset value	- 0	- 0	- 0	- 0	HALT 0	AHALT 0	IE 0	FIX 0
00 505Bh	FLASH_CR2 Reset value	OPT 0	WPRG 0	ERASE 0	FPRG 0	- 0	- 0	- 0	PRG 0
00 505Ch	FLASH_NCR2 Reset value	NOPT 1	NWPRG 1	NERASE 1	NFPRG 1	- 1	- 1	- 1	NPRG 1
00 505Dh	FLASH_FPR Reset value	WPB7 0	WPB6 0	WPB5 0	WPB4 0	WPB3 0	WPB2 0	WPB1 0	WPB0 0
00 505Eh	FLASH_NFPR Reset value	NWPB7 1	NWPB6 1	NWPB5 1	NWPB4 1	NWPB3 1	NWPB2 1	NWPB1 1	NWPB0 1

Table 11. Non volatile memory (continued)

Address	Register name	7	6	5	4	3	2	1	0
00 505Fh	FLASH_IAPSR Reset value	- 0	HVOFF 1	- 0	- 0	DUL 0	EOP 0	PUL 0	WR_PG_DIS 0
00 5060h to 00 5061h	Reserved								
00 5062h	FLASH_PUKR Reset value	PUK7 0	PUK6 0	PUK5 0	PUK4 0	PUK3 0	PUK2 0	PUK1 0	PUK0 0
00 5063h	Reserved								
00 5064h	FLASH_DUKR Reset value	DUK7 0	DUK6 0	DUK5 0	DUK4 0	DUK3 0	DUK2 0	DUK1 0	DUK0 0

9.3 CPU registers

Table 12. CPU registers

Address	Block	Register label	Register name	Reset status
00 7F00h	CPU ⁽¹⁾	A	Accumulator	00h
00 7F01h		PCE	Program counter extended	00h
00 7F02h		PCH	Program counter high	80h
00 7F03h		PCL	Program counter low	00h
00 7F04h		XH	X index register high	00h
00 7F05h		XL	X index register low	00h
00 7F06h		YH	Y index register high	00h
00 7F07h		YL	Y index register low	00h
00 7F08h		SPH	Stack pointer high	17h ⁽²⁾
00 7F09h		SPL	Stack pointer low	FFh
00 7F0Ah		CC	Condition code register	28h

1. Accessible by debug module only

2. Product dependent value, see [Figure 7: Register and memory map](#).

9.4 Miscellaneous registers

9.4.1 Global configuration register

Table 13. CFG_GCR register map

Address	Register name	7	6	5	4	3	2	1	0
00 7F60h	CFG_GCR	-	-	-	-	-	-	AL	SWD
	Reset value	0	0	0	0	0	0	0	0

9.4.2 Reset status register

Table 14. RST_SR register map

Address	Register name	7	6	5	4	3	2	1	0
00 50B3h	RST_SR	-	-	-	EMCF	SWIMF	ILLOPF	IWDGF	WWDGF
	Reset value	x	x	x	x	x	x	x	x

9.4.3 Temporary memory unprotection key registers

Table 15. TMU register map and reset values

Address	Register name	7	6	5	4	3	2	1	0
00 5800h	TMU_K1	K7	K6	K5	K4	K3	K2	K1	K0
	Reset value	0	0	0	0	0	0	0	0
00 5801h	TMU_K2	K7	K6	K5	K4	K3	K2	K1	K0
	Reset value	0	0	0	0	0	0	0	0
00 5802h	TMU_K3	K7	K6	K5	K4	K3	K2	K1	K0
	Reset value	0	0	0	0	0	0	0	0
00 5803h	TMU_K4	K7	K6	K5	K4	K3	K2	K1	K0
	Reset value	0	0	0	0	0	0	0	0
00 5804h	TMU_K5	K7	K6	K5	K4	K3	K2	K1	K0
	Reset value	0	0	0	0	0	0	0	0
00 5805h	TMU_K6	K7	K6	K5	K4	K3	K2	K1	K0
	Reset value	0	0	0	0	0	0	0	0
00 5807h	TMU_K8	K7	K6	K5	K4	K3	K2	K1	K0
	Reset value	0	0	0	0	0	0	0	0
00 5808h	TMU_CSR	-	-	-	-	ROPS	TIMUE	TMUB	TMUS
	Reset value	0	0	0	0	0	0	0	0

9.5 Clock and clock controller

Table 16. CLK register map and reset values

Address	Register name	7	6	5	4	3	2	1	0
00 50C0h	CLK_ICKR Reset value	- 0	- 0	SWUAH 0	LSIRDY 0	LSIEN 0	FHWU 0	HSIRDY 0	HSIEN 1
00 50C1h	CLK_ECKR Reset value	- 0	- 0	- 0	- 0	- 0	- 0	HSERDY 0	HSEEN 0
00 50C2h	Reserved								
00 50C3h	CLK_CMSR Reset value	CKM7 1	CKM6 1	CKM5 1	CKM4 0	CKM3 0	CKM2 0	CKM1 0	CKM0 1
00 50C4h	CLK_SWR Reset value	SWI7 1	SWI6 1	SWI5 1	SWI4 0	SWI3 0	SWI2 0	SWI1 0	SWI0 1
00 50C5h	CLK_SWCR Reset value	- x	- x	- x	- x	SWIF 0	SWIEN 0	SWEN 0	SWBSY 0
00 50C6h	CLK_CKDIVR Reset value	- 0	- 0	- 0	HSIDIV1 1	HSIDIV0 1	CPUDIV2 0	CPUDIV1 0	CPUDIV 0
00 50C7h	CLK_PCKENR1 Reset value	PCK EN17 1	PCK EN16 1	PCK EN15 1	PCK EN14 1	PCK EN13 1	PCK EN12 1	PCK EN11 1	PCK EN10 1
00 50C8h	CLK_CSSR Reset value	- 0	- 0	- 0	- 0	CSSD 0	CSSDIE 0	AUX 0	CSSSEN 0
00 50C9h	CLK_CCOR Reset value	- 0	CCOBSY 0	CCORDY 0	CCO SEL3 0	CCO SEL2 0	CCO SEL1 0	CCO SEL0 0	CCOEN 0
00 50CAh	CLK_PCK ENR2 Reset value	PCK EN27 1	PCK EN26 1	- 1	- 1	PCK EN23 1	PCK EN22 1	- 1	- 1

Table 16. CLK register map and reset values (continued)

Address	Register name	7	6	5	4	3	2	1	0
00 50CBh	CLK_CAN CCR Reset value	- 0	- 0	- 0	- 0	- 0	CANDIV2 0	CANDIV1 0	CANDIV0 0
00 50CCh	CLK_HSIT RIMR Reset value	- x	- x	- x	- x	- x	HSI TRIM2 0	HSI TRIM1 0	HSI TRIM0 0
00 50CDh	CLK_SWI MCCR Reset value	- 0	- 0	- 0	- 0	- 0	- 0	- 0	SWI MCLK 0

9.6 Low-power operating modes

9.7 Interrupt controller

9.7.1 Interrupt software priority registers

Table 17. Interrupt software priority registers map

Address	Register name	7	6	5	4	3	2	1	0
00 7F70h	ITC_SPR1 Reset value	VECT3S PR1 1	VECT3S PR0 1	VECT2S PR1 1	VECT2S PR0 1	VECT1S PR1 1	VECT1S PR0 1	Reserved 1	Reserved 1
00 7F71h	ITC_SPR2 Reset value	VECT7S PR1 1	VECT7S PR0 1	VECT6S PR1 1	VECT6S PR0 1	VECT5S PR1 1	VECT5S PR0 1	VECT4S PR1 1	VECT4S PR0 1
00 7F72h	ITC_SPR3 Reset value	VECT11 SPR1 1	VECT11 SPR0 1	VECT10 SPR1 1	VECT10 SPR0 1	VECT9S PR1 1	VECT9S PR0 1	VECT8S PR1 1	VECT8S PR0 1
00 7F73h	ITC_SPR4 Reset value	VECT15 SPR1 1	VECT15 SPR0 1	VECT14 SPR1 1	VECT14 SPR0 1	VECT13 SPR1 1	VECT13 SPR0 1	VECT12 SPR1 1	VECT12 SPR0 1
00 7F74h	ITC_SPR5 Reset value	VECT19 SPR1 1	VECT19 SPR0 1	VECT18 SPR1 1	VECT18 SPR0 1	VECT17 SPR1 1	VECT17 SPR0 1	VECT16 SPR1 1	VECT16 SPR0 1

Table 17. Interrupt software priority registers map (continued)

Address	Register name	7	6	5	4	3	2	1	0
00 7F75h	ITC_SPR6 Reset value	VECT23 SPR1 1	VECT23 SPR0 1	VECT22 SPR1 1	VECT22 SPR0 1	VECT21 SPR1 1	VECT21 SPR0 1	VECT20 SPR1 1	VECT20 SPR0 1
00 7F76h	ITC_SPR7 Reset value	Reserved 1	Reserved 1	Reserved 1	Reserved 1	Reserved 1	Reserved 1	VECT24 SPR1 1	VECT24 SPR0 1

9.7.2 External interrupt control register

Table 18. External interrupt control register map

Address	Register name	7	6	5	4	3	2	1	0
00 50A0h	EXTI_CR1 Reset value	PDIS1 0	PDIS0 0	PCIS1 0	PCIS0 0	PBIS1 0	PBIS0 0	PAIS1 0	PAIS0 0
00 50A1h	EXTI_CR2 Reset value	Reserved 0	Reserved 0	Reserved 0	Reserved 0	Reserved 0	TLIS 0	PEIS1 0	PEIS0 0

9.8 Timers

9.8.1 Window watchdog timer

Table 19. WWDG register map and reset values

Address	Register name	7	6	5	4	3	2	1	0
00 50D1h	WWDG_CR Reset value	WDGA 0	T6 1	T5 1	T4 1	T3 1	T2 1	T1 1	T0 1
00 50D2h	WWDG_WR Reset value	- 0	W6 1	W5 1	W4 1	W3 1	W2 1	W1 1	W0 1

9.8.2 Independent watchdog timer

Table 20. IWDG register map

Address	Register name	7	6	5	4	3	2	1	0
00 50E0h	IWDG_KR Reset value	KEY7 x	KEY6 x	KEY5 x	KEY4 x	KEY3 x	KEY2 x	KEY1 x	KEY0 x
00 50E1h	IWDG_PR Reset value	- 0	- 0	- 0	- 0	- 0	PR2 0	PR1 0	PR0 0
00 50E2h	IWDG_RLR Reset value	RL7 1	RL6 1	RL5 1	RL4 1	RL3 1	RL2 1	RL1 1	RL0 1

9.8.3 Auto wakeup counter and beeper

Table 21. AWU register map

Address	Register name	7	6	5	4	3	2	1	0
00 50F0h	AWU_CSR Reset value	- 0	- 0	AWUF 0	AWUEN 0	- 0	- 0	- 0	MSR 0
00 50F1h	AWU_APR Reset value	- 0	- 0	APR5 1	APR4 1	APR3 1	APR2 1	APR1 1	APR0 1
00 50F2h	AWU_TBR Reset value	- 0	- 0	- 0	- 0	AWUTB3 0	AWUTB2 0	AWUTB1 0	AWUTB0 0

Table 22. BEEP register map

Address	Register name	7	6	5	4	3	2	1	0
00 50F3h	BEEP_CSR Reset value	BEEP SEL2 0	BEEP SEL1 0	BEEP EN 0	BEEP DIV4 0	BEEP DIV3 0	BEEP DIV2 0	BEEP DIV1 0	BEEP DIV0 0

9.8.4 TIM1

Table 23. TIM1 register map

Address	Register name	7	6	5	4	3	2	1	0
00 5250h	TIM1_CR1 Reset value	ARPE 0	CMS1 0	CMS0 0	DIR 0	OPM 0	URS 0	UDIS 0	CEN 0
00 5251h	TIM1_CR2 Reset value	TI1S 0	MMS2 0	MMS1 0	MMS0 0	- 0	COMS 0	- 0	CCPC 0
00 5252h	TIM1_SMCR Reset value	MSM 0	TS2 0	TS1 0	TS0 0	- 0	SMS2 0	SMS1 0	SMS0 0
00 5253h	TIM1_ETR Reset value	ETP 0	ECE 0	ETPS1 0	ETPS0 0	EFT3 0	EFT2 0	EFT1 0	EFT0 0
00 5254h	TIM1_IER Reset value	BIE 0	TIE 0	COMIE 0	CC4IE 0	CC3IE 0	CC2IE 0	CC1IE 0	UIE 0
00 5255h	TIM1_SR1 Reset value	BIF 0	TIF 0	COMIF 0	CC4IF 0	CC3IF 0	CC2IF 0	CC1IF 0	UIF 0
00 5256h	TIM1_SR2 Reset value	- 0	- 0	- 0	CC4OF 0	CC3OF 0	CC2OF 0	CC1OF 0	- 0
00 5257h	TIM1_EGR Reset value	BG 0	TG 0	COMG 0	CC4G 0	CC3G 0	CC2G 0	CC1G 0	UG 0

Table 23. TIM1 register map (continued)

Address	Register name	7	6	5	4	3	2	1	0
00 5258h	TIM1_CCMR1 (output mode) Reset value	OC1CE 0	OC1M2 0	OC1M1 0	OC1M0 0	OC1PE 0	OC1FE 0	CC1S1 0	CC1S0 0
	TIM1_CCMR1 (input mode) Reset value	IC1F3 0	IC1F2 0	IC1F1 0	IC1F0 0	IC1PSC1 0	IC1PSC0 0	CC1S1 0	CC1S0 0
00 5259h	TIM1_CCMR2 (output mode) Reset value	OC2CE 0	OC2M2 0	OC2M1 0	OC2M0 0	OC2PE 0	OC2FE 0	CC2S1 0	CC2S0 0
	TIM1_CCMR2 (input mode) Reset value	IC2F3 0	IC2F2 0	IC2F1 0	IC2F0 0	IC2PSC1 0	IC2PSC0 0	CC2S1 0	CC2S0 0
00 525Ah	TIM1_CCMR3 (output mode) Reset value	OC3CE 0	OC3M2 0	OC3M1 0	OC3M0 0	OC3PE 0	OC3FE 0	CC3S1 0	CC3S0 0
	TIM1_CCMR3 (input mode) Reset value	IC3F3 0	IC3F2 0	IC3F1 0	IC3F0 0	IC3PSC1 0	IC3PSC0 0	CC3S1 0	CC3S0 0
00 525Bh	TIM1_CCMR4 (output mode) Reset value	OC4CE 0	OC4M2 0	OC4M1 0	OC4M0 0	OC4PE 0	OC4FE 0	CC4S1 0	CC4S0 0
	TIM1_CCMR4 (input mode) Reset value	IC4F3 0	IC4F2 0	IC4F1 0	IC4F0 0	IC4PSC1 0	IC4PSC0 0	CC4S1 0	CC4S0 0
00 525Ch	TIM1_CCER1 Reset value	CC2NP 0	CC2NE 0	CC2P 0	CC2E 0	CC1NP 0	CC1NE 0	CC1P 0	CC1E 0
00 525Dh	TIM1_CCER2 Reset value	- 0	- 0	CC4P 0	CC4E 0	CC3NP 0	CC3NE 0	CC3P 0	CC3E 0
00 525Eh	TIM1_CNTRH Reset value	CNT15 0	CNT14 0	CNT13 0	CNT12 0	CNT11 0	CNT10 0	CNT9 0	CNT8 0
00 525Fh	TIM1_CNTRL Reset value	CNT7 0	CNT6 0	CNT5 0	CNT4 0	CNT3 0	CNT2 0	CNT1 0	CNT0 0
00 5260h	TIM1_PSCRH Reset value	PSC15 0	PSC14 0	PSC13 0	PSC12 0	PSC11 0	PSC10 0	PSC9 0	PSC8 0
00 5261h	TIM1_PSCRL Reset value	PSC7 0	PSC6 0	PSC5 0	PSC4 0	PSC3 0	PSC2 0	PSC1 0	PSC0 0
00 5262h	TIM1_ARRH Reset value	ARR15 1	ARR14 1	ARR13 1	ARR12 1	ARR11 1	ARR10 1	ARR9 1	ARR8 1
00 5263h	TIM1_ARRL Reset value	ARR7 1	ARR6 1	ARR5 1	ARR4 1	ARR3 1	ARR2 1	ARR1 1	ARR0 1

Table 23. TIM1 register map (continued)

Address	Register name	7	6	5	4	3	2	1	0
00 5264h	TIM1_RCR Reset value	REP7 0	REP6 0	REP5 0	REP4 0	REP3 0	REP2 0	REP1 0	REP0 0
00 5265h	TIM1_CCR1H Reset value	CCR115 0	CCR114 0	CCR113 0	CCR112 0	CCR111 0	CCR110 0	CCR19 0	CCR18 0
00 5266h	TIM1_CCR1L Reset value	CCR17 0	CCR16 0	CCR15 0	CCR14 0	CCR13 0	CCR12 0	CCR11 0	CCR10 0
00 5267h	TIM1_CCR2H Reset value	CCR215 0	CCR214 0	CCR213 0	CCR212 0	CCR211 0	CCR210 0	CCR29 0	CCR28 0
00 5268h	TIM1_CCR2L Reset value	CCR27 0	CCR26 0	CCR25 0	CCR24 0	CCR23 0	CCR22 0	CCR21 0	CCR20 0
00 5269h	TIM1_CCR3H Reset value	CCR315 0	CCR314 0	CCR313 0	CCR312 0	CCR311 0	CCR310 0	CCR39 0	CCR38 0
00 526Ah	TIM1_CCR3L Reset value	CCR37 0	CCR36 0	CCR35 0	CCR34 0	CCR33 0	CCR32 0	CCR31 0	CCR3 0
00 526Bh	TIM1_CCR4H Reset value	CCR415 0	CCR414 0	CCR413 0	CCR412 0	CCR411 0	CCR410 0	CCR49 0	CCR48 0
00 526Ch	TIM1_CCR4L Reset value	CCR47 0	CCR46 0	CCR45 0	CCR44 0	CCR43 0	CCR42 0	CCR41 0	CCR40 0
00 526Dh	TIM1_BKR Reset value	MOE 0	AOE 0	BKP 0	BKE 0	OSSR 0	OSSI 0	LOCK 0	LOCK 0
00 526Eh	TIM1_DTR Reset value	DTG7 0	DTG6 0	DTG5 0	DTG4 0	DTG3 0	DTG2 0	DTG1 0	DTG0 0
00 526Fh	TIM1_OISR Reset value	- 0	OIS4 0	OIS3N 0	OIS3 0	OIS2N 0	OIS2 0	OIS1N 0	OIS1 0

9.8.5 TIM2

Table 24. TIM2 register map

Address	Register name	7	6	5	4	3	2	1	0
00 5300h	TIM2_CR1 Reset value	ARPE 0	- 0	- 0	- 0	OPM 0	URS 0	UDIS 0	CEN 0
00 5301h	TIM2_IER Reset value	- 0	- 0	- 0	- 0	CC3IE 0	CC2IE 0	CC1IE 0	UIE 0
00 5302h	TIM2_SR1 Reset value	- 0	- 0	- 0	- 0	CC3IF 0	CC2IF 0	CC1IF 0	UIF 0
00 5303h	TIM2_SR2 Reset value	- 0	- 0	- 0	- 0	CC3OF 0	CC2OF 0	CC1OF 0	- 0
00 5304h	TIM2_EGR Reset value	- 0	- 0	- 0	- 0	CC3G 0	CC2G 0	CC1G 0	UG 0

Table 24. TIM2 register map (continued)

Address	Register name	7	6	5	4	3	2	1	0
00 5305h	TIM2_CCMR1 (output mode) Reset value	- 0	OC1M2 0	OC1M1 0	OC1M0 0	OC1PE 0	- 0	CC1S1 0	CC1S0 0
	TIM2_CCMR1 (input mode) Reset value	IC1F3 0	IC1F2 0	IC1F1 0	IC1F0 0	IC1PSC1 0	IC1PSC0 0	CC1S1 0	CC1S0 0
00 5306h	TIM2_CCMR2 (output mode) Reset value	- 0	OC2M2 0	OC2M1 0	OC2M0 0	OC2PE 0	- 0	CC2S1 0	CC2S0 0
	TIM2_CCMR2 (input mode) Reset value	IC2F3 0	IC2F2 0	IC2F1 0	IC2F0 0	IC2PSC1 0	IC2PSC0 0	CC2S1 0	CC2S0 0
00 5307h	TIM2_CCMR3 (output mode) Reset value	- 0	OC3M2 0	OC3M1 0	OC3M0 0	OC3PE 0	- 0	CC3S1 0	CC3S0 0
	TIM2_CCMR3 (input mode) Reset value	IC3F3 0	IC3F2 0	IC3F1 0	IC3F0 0	IC3PSC1 0	IC3PSC0 0	CC3S1 0	CC3S0 0
00 5308h	TIM2_CCER1 Reset value	- 0	- 0	CC2P 0	CC2E 0	- 0	- 0	CC1P 0	CC1E 0
00 5309h	TIM2_CCER2 Reset value	- 0	- 0	- 0	- 0	- 0	- 0	CC3P 0	CC3E 0
00 530Ah	TIM2_CNTRH Reset value	CNT15 0	CNT14 0	CNT13 0	CNT12 0	CNT11 0	CNT10 0	CNT9 0	CNT8 0
00 530Bh	TIM2_CNTRL Reset value	CNT7 0	CNT6 0	CNT5 0	CNT4 0	CNT3 0	CNT2 0	CNT1 0	CNT0 0
00 530Ch	TIM2_PSCR Reset value	- 0	- 0	- 0	- 0	PSC3 0	PSC2 0	PSC1 0	PSC0 0
00 530Dh	TIM2_ARRH Reset value	ARR15 1	ARR14 1	ARR13 1	ARR12 1	ARR11 1	ARR10 1	ARR9 1	ARR8 1
00 530Eh	TIM2_ARRL Reset value	ARR7 1	ARR6 1	ARR5 1	ARR4 1	ARR3 1	ARR2 1	ARR1 1	ARR0 1
00 530Fh	TIM2_CCR1H Reset value	CCR115 0	CCR114 0	CCR113 0	CCR112 0	CCR111 0	CCR110 0	CCR19 0	CCR18 0
00 5310h	TIM2_CCR1L Reset value	CCR17 0	CCR16 0	CCR15 0	CCR14 0	CCR13 0	CCR12 0	CCR11 0	CCR10 0
00 5311h	TIM2_CCR2H Reset value	CCR215 0	CCR214 0	CCR213 0	CCR212 0	CCR211 0	CCR210 0	CCR29 0	CCR28 0
00 5312h	TIM2_CCR2L Reset value	CCR27 0	CCR26 0	CCR25 0	CCR24 0	CCR23 0	CCR22 0	CCR21 0	CCR20 0

Table 24. TIM2 register map (continued)

Address	Register name	7	6	5	4	3	2	1	0
00 5313h	TIM2_CCR3H	CCR315	CCR314	CCR313	CCR312	CCR311	CCR310	CCR39	CCR38
	Reset value	0	0	0	0	0	0	0	0
00 5314h	TIM2_CCR3L	CCR37	CCR36	CCR35	CCR34	CCR33	CCR32	CCR31	CCR30
	Reset value	0	0	0	0	0	0	0	0

9.8.6 TIM3

Table 25. TIM3 register map

Address	Register name	7	6	5	4	3	2	1	0
00 5320h	TIM3_CR1	ARPE	-	-	-	OPM	URS	UDIS	CEN
	Reset value	0	0	0	0	0	0	0	0
00 5321h	TIM3_IER	-	-	-	-	-	CC2IE	CC1IE	UIE
	Reset value	0	0	0	0	0	0	0	0
00 5322h	TIM3_SR1	-	-	-	-	-	CC2IF	CC1IF	UIF
	Reset value	0	0	0	0	0	0	0	0
00 5323h	TIM3_SR2	-	-	-	-	-	CC2OF	CC1OF	-
	Reset value	0	0	0	0	0	0	0	0
00 5324h	TIM3_EGR	-	-	-	-	-	CC2G	CC1G	UG
	Reset value	0	0	0	0	0	0	0	0
00 5325h	TIM3_CCMR1 (output mode)	-	OC1M2	OC1M1	OC1M0	OC1PE	-	CC1S1	CC1S0
	Reset value	0	0	0	0	0	0	0	0
00 5325h	TIM3_CCMR1 (input mode)	IC1F3	IC1F2	IC1F1	IC1F0	IC1PSC1	IC1PSC0	CC1S1	CC1S0
	Reset value	0	0	0	0	0	0	0	0
00 5326h	TIM3_CCMR2 (output mode)	-	OC2M2	OC2M1	OC2M0	OC2PE	-	CC2S1	CC2S0
	Reset value	0	0	0	0	0	0	0	0
00 5326h	TIM3_CCMR2 (input mode)	IC2F3	IC2F2	IC2F1	IC2F0	IC2PSC1	IC2PSC0	CC2S1	CC2S0
	Reset value	0	0	0	0	0	0	0	0
00 5327h	TIM3_CCER1	-	-	CC2P	CC2E	-	-	CC1P	CC1E
	Reset value	0	0	0	0	0	0	0	0
00 5328h	TIM3_CNTRH	CNT15	CNT14	CNT13	CNT12	CNT11	CNT10	CNT9	CNT8
	Reset value	0	0	0	0	0	0	0	0
00 5329h	TIM3_CNTRL	CNT7	CNT6	CNT5	CNT4	CNT3	CNT2	CNT1	CNT0
	Reset value	0	0	0	0	0	0	0	0
00 532Ah	TIM3_PSCR	-	-	-	-	PSC3	PSC2	PSC1	PSC0
	Reset value	0	0	0	0	0	0	0	0

Table 25. TIM3 register map (continued)

Address	Register name	7	6	5	4	3	2	1	0
00 532Bh	TIM3_ARRH Reset value	ARR15 1	ARR14 1	ARR13 1	ARR12 1	ARR11 1	ARR10 1	ARR9 1	ARR8 1
00 532Ch	TIM3_ARRL Reset value	ARR7 1	ARR6 1	ARR5 1	ARR4 1	ARR3 1	ARR2 1	ARR1 1	ARR0 1
00 532Dh	TIM3_CCR1H Reset value	CCR115 0	CCR114 0	CCR113 0	CCR112 0	CCR111 0	CCR110 0	CCR19 0	CCR18 0
00 532Eh	TIM3_CCR1L Reset value	CCR17 0	CCR16 0	CCR15 0	CCR14 0	CCR13 0	CCR12 0	CCR11 0	CCR10 0
00 532Fh	TIM3_CCR2H Reset value	CCR215 0	CCR214 0	CCR213 0	CCR212 0	CCR211 0	CCR210 0	CCR29 0	CCR28 0
00 5330h	TIM3_CCR2L Reset value	CCR27 0	CCR26 0	CCR25 0	CCR24 0	CCR23 0	CCR22 0	CCR21 0	CCR20 0

9.8.7 TIM4

Table 26. TIM4 register map

Address	Register name	7	6	5	4	3	2	1	0
00 5340h	TIM4_CR1 Reset value	ARPE 0	- 0	- 0	- 0	OPM 0	URS 0	UDIS 0	CEN 0
00 5341h	TIM4_IER Reset value	- 0	- 0	- 0	- 0	- 0	- 0	- 0	UIE 0
00 5342h	TIM4_SR1 Reset value	- 0	- 0	- 0	- 0	- 0	- 0	- 0	UIF 0
00 5343h	TIM4_EGR Reset value	- 0	- 0	- 0	- 0	- 0	- 0	- 0	UG 0
00 5344h	TIM4_CNTR Reset value	CNT7 0	CNT6 0	CNT5 0	CNT4 0	CNT3 0	CNT2 0	CNT1 0	CNT0 0
00 5345h	TIM4_PSCR Reset value	- 0	- 0	- 0	- 0	- 0	PSC2 0	PSC1 0	PSC0 0
00 5346h	TIM4_ARR Reset value	ARR7 1	ARR6 1	ARR5 1	ARR4 1	ARR3 1	ARR2 1	ARR1 1	ARR0 1

9.9 Communication interfaces

9.9.1 Serial peripheral interface (SPI)

Table 27. SPI register map and reset value

Address	Register name	7	6	5	4	3	2	1	0
005200h	SPI_CR1 Reset value	LSBFIRST 0	SPE 0	BR2 0	BR1 0	BR1 0	MSTR 0	CPOL 0	CPHA 0
005201h	SPI_CR2 Reset value	BDM 0	BDOE 0	CRCEN 0	CRCNEXT 0	Reserved 0	RXONLY 0	SSM 0	SSI 0
005202h	SPI_ICR Reset value	TXIE 0	RXIE 0	ERRIE 0	WKIE 0	Reserved 0	Reserved 0	Reserved 0	Reserved 0
005203h	SPI_SR Reset value	BSY 0	OVR 0	MODF 0	CRCERR 0	WKUP 0	Reserved 0	TXE 1	RXNE 0
005204h	SPI_DR Reset value	MSB 0	- 0	- 0	- 0	- 0	- 0	- 0	LSB 0
005205h	SPI_CRCPR Reset value	MSB 0	- 0	- 0	- 0	- 0	- 1	- 1	LSB 1
005206h	SPI_RXCR Reset value	MSB 0	- 0	- 0	- 0	- 0	- 0	- 0	LSB 0
005207h	SPI_TXCR Reset value	MSB 0	- 0	- 0	- 0	- 0	- 0	- 0	LSB 0

9.9.2 Inter integrated circuit (I²C) interface

Table 28. I²C register map

Address	Register name	7	6	5	4	3	2	1	0
00 5210h	I2C_CR1 Reset value	NO STRETCH 0	ENGC 0	- 0	- 0	- 0	- 0	- 0	PE 0
00 5211h	I2C_CR2 Reset value	SWRST 0	- 0	- 0	- 0	POS 0	ACK 0	STOP 0	START 0
00 5212h	I2C_ FREQR Reset value	- 0	- 0	FREQ5 0	FREQ4 0	FREQ3 0	FREQ2 0	FREQ1 0	FREQ0 0
00 5213h	I2C_OARL Reset value	ADD7 0	ADD6 0	ADD5 0	ADD4 0	ADD3 0	ADD2 0	ADD1 0	ADD0 0
00 5214h	I2C_OARH Reset value	ADD MODE 0	ADD CONF 0	- 0	- 0	- 0	ADD9 0	ADD8 0	- 0
00 5215h	Reserved								
00 5216h	I2C_DR Reset value	DR7 0	DR6 0	DR5 0	DR4 0	DR3 0	DR2 0	DR1 0	DR0 0
00 5217h	I2C_SR1 Reset value	TxE 0	RxNE 0	- 0	STOPF 0	ADD10 0	BTF 0	ADDR 0	SB 0
00 5218h	I2C_SR2 Reset value	- 0	- 0	WUFH 0	- 0	OVR 0	AF 0	ARLO 0	BERR 0
00 5219h	I2C_SR3 Reset value	- 0	- 0	- 0	GEN CALL 0	- 0	TRA 0	BUSY 0	MSL 0
00 521Ah	I2C_ITR Reset value	- 0	- 0	- 0	- 0	- 0	ITBUFEN 0	ITEVTEN 0	ITERREN 0
00 521Bh	I2C_CCRL Reset value	CCR7 0	CCR6 0	CCR5 0	CCR4 0	CCR3 0	CCR2 0	CCR1 0	CCR0 0

Table 28. I²C register map (continued)

Address	Register name	7	6	5	4	3	2	1	0
00 521Ch	I2C_CCRH	FS	DUTY	-	-	CCR11	CCR10	CCR9	CCR8
	Reset value	0	0	0	0	0	0	0	0
00 521Dh	I2C_TRISER	-	-	TRISE5	TRISE4	TRISE3	TRISE2	TRISE1	TRISE0
	Reset value	0	0	0	0	0	0	1	0

9.9.3 Universal synchronous/asynchronous receiver transmitter (USART)

Table 29. USART register map

Address	Register name	7	6	5	4	3	2	1	0
00 5230h	USART_SR Reset value	TXE 1	TC 1	RXNE 0	IDLE 0	OR 0	NF 0	FE 0	PE 0
00 5231h	USART_DR Reset value	DR7 x	DR6 x	DR5 x	DR4 x	DR3 x	DR2 x	DR1 x	DR0 x
00 5232h	USART_BRR1 Reset value	USART_DIV[11:4] 00000000							
00 5233h	USART_BRR2 Reset value	USART_DIV[15:12] 0000				USART_DIV[3:0] 0000			
00 5234h	USART_CR1 Reset value	R8 0	T8 0	USARTD 0	M 0	- 0	PCEN 0	PS 0	PIEN 0
00 5235h	USART_CR2 Reset value	TIEN 0	TCIEN 0	RIEN 0	ILIEN 0	TEN 0	REN 0	RWU 0	SBK 0
00 5236h	USART_CR3 Reset value	- 0	LINEN 0	STOP 00		CKEN 0	CPOL 0	CPHA 0	LBCL 0
00 5237h	USART_CR4 Reset value	- 0	LBDIEN 0	LBDL 0	LBDF 0	- 0	- 0	- 0	- 0

9.9.4 Universal asynchronous receiver/transmitter with LIN support (LINUART)

Table 30. LINUART register map and reset value

Address	Register name	7	6	5	4	3	2	1	0
00 5240h	LINUART_SR Reset value	TXE 1	TC 1	RXNE 0	IDLE 0	OR/LHE 0	NF 0	FE 0	PE 0
005241h	LINUART_DR Reset value	DR7 0	DR6 0	DR5 0	DR4 0	DR3 0	DR2 0	DR1 0	DR0 0
00 5242h	LINUART_BRR1 Reset value	LDIV[11:8] 00000000							
00 5243h	LINUART_BRR2 Reset value	LDIV[15:12] 0000				LDIV[3:0] 0000			
00 5244h	LINUART_CR1 Reset value	R8 0	T8 0	UARTD 0	M 0	WAKE 0	PCEN 0	PS 0	PIEN 0
00 5245h	LINUART_CR2 Reset value	TIEN 0	TCIEN 0	RIEN 0	ILIEN 0	TEN 0	REN 0	RWU 0	SBK 0
00 5246h	LINUART_CR3 Reset value	- 0	LINEN 0	STOP 00		- 0	- 0	- 0	- 0
00 5247h	LINUART_CR4 Reset value	- 0	LBDIEN 0	LBDL 0	LBDF 0	ADD[3:0] 0000			

Table 30. LINUART register map and reset value (continued)

Address	Register name	7	6	5	4	3	2	1	0
00 5248h	Reserved								
00 5249h	LINUART_CR6 Reset value	LDUM 0	- 0	LSLV 0	LASE 0	- 0	LHDIEN 0	LHDF 0	LSF 0

9.9.5 CAN

Figure 8. CAN register mapping

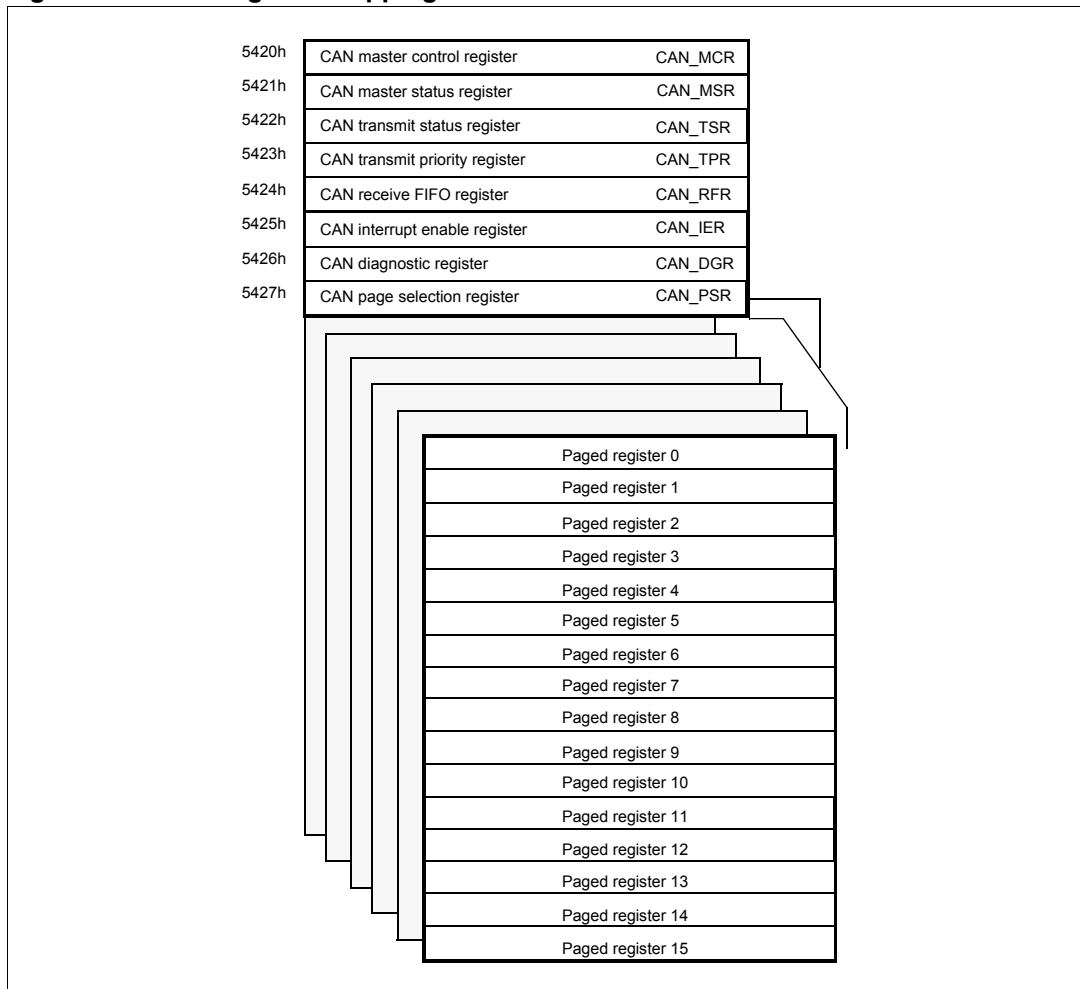


Figure 9. CAN page mapping

	Page 0	Page 1	Page 2	Page 3	Page 4
00h	CAN_MCSR	CAN_MCSR	CAN_F0R1	CAN_F2R1	CAN_F4R1
01h	CAN_MDLCR	CAN_MDLCR	CAN_F0R2	CAN_F2R2	CAN_F4R2
02h	CAN_MIDR1	CAN_MIDR1	CAN_F0R3	CAN_F2R3	CAN_F4R3
03h	CAN_MIDR2	CAN_MIDR2	CAN_F0R4	CAN_F2R4	CAN_F4R4
04h	CAN_MIDR3	CAN_MIDR3	CAN_F0R5	CAN_F2R5	CAN_F4R5
05h	CAN_MIDR4	CAN_MIDR4	CAN_F0R6	CAN_F2R6	CAN_F4R6
06h	CAN_MDAR1	CAN_MDAR1	CAN_F0R7	CAN_F2R7	CAN_F4R7
07h	CAN_MDAR2	CAN_MDAR5	CAN_F0R8	CAN_F2R8	CAN_F4R8
08h	CAN_MDAR3	CAN_MDAR6	CAN_F1R1	CAN_F3R1	CAN_F5R1
09h	CAN_MDAR4	CAN_MDAR4	CAN_F1R2	CAN_F3R2	CAN_F5R2
0Ah	CAN_MDAR5	CAN_MDAR5	CAN_F1R3	CAN_F3R3	CAN_F5R3
0Bh	CAN_MDAR6	CAN_MDAR6	CAN_F1R4	CAN_F3R4	CAN_F5R4
0Ch	CAN_MDAR7	CAN_MDAR7	CAN_F1R5	CAN_F3R5	CAN_F5R5
0Dh	CAN_MDAR8	CAN_MDAR8	CAN_F1R6	CAN_F3R6	CAN_F5R6
0Eh	CAN_MTSRL	CAN_MTSRL	CAN_F1R7	CAN_F3R7	CAN_F5R7
0Fh	CAN_MTSRH	CAN_MTSRH	CAN_F1R8	CAN_F3R8	CAN_F5R8
	Tx mailbox 0	Tx mailbox 1	Acceptance filter 0:1	Acceptance filter 2:3	Acceptance filter 4:5
	Page 5	Page 6	Page 7		
00h	CAN_MCSR	CAN_ESR	CAN_MFMIR		
01h	CAN_MDLCR	CAN_EIER	CAN_MDLCR		
02h	CAN_MIDR1	CAN_TECR	CAN_MIDR1		
03h	CAN_MIDR2	CAN_RECR	CAN_MIDR2		
04h	CAN_MIDR3	CAN_BTR1	CAN_MIDR3		
05h	CAN_MIDR4	CAN_BTR2	CAN_MIDR4		
06h	CAN_MDAR1	Reserved	CAN_MDAR1		
07h	CAN_MDAR2	Reserved	CAN_MDAR2		
08h	CAN_MDAR3	CAN_FMR1	CAN_MDAR3		
09h	CAN_MDAR4	CAN_FMR2	CAN_MDAR4		
0Ah	CAN_MDAR5	CAN_FCR1	CAN_MDAR5		
0Bh	CAN_MDAR6	CAN_FCR2	CAN_MDAR6		
0Ch	CAN_MDAR7	CAN_FCR3	CAN_MDAR7		
0Dh	CAN_MDAR8	Reserved	CAN_MDAR8		
0Eh	CAN_MTSRL	Reserved	CAN_MTSRL		
0Fh	CAN_MTSRH	Reserved	CAN_MTSRH		
	Tx Mailbox 2 (if TXM2E = 1 in CAN_DGR register)	Configuration/diagnostic	Receive FIFO		

9.10 Analog to digital converter (ADC)

Table 31. ADC register map and reset value

Address	Register name	7	6	5	4	3	2	1	0
005400h	ADC_CSR Reset value	EOC 0	- 0	EOCIE 0	- 0	CH3 0	CH2 0	CH1 0	CH0 0
005401h	ADC_CR1 Reset value	- 0	SPSEL2 0	SPSEL1 0	SPSEL0 0	- 0	- 0	CONT 0	ADON 0
005402h	ADC_CR2 Reset value	- 0	EXTTRIG 0	EXTSEL1 0	EXTSEL0 0	ALIGN 0	- 0	- 0	- 0
00 5403h	Reserved								
005404h	ADC_DRH1 Reset value	DATA9 0	DATA8 0	DATA7 0	DATA6 0	DATA5 0	DATA4 0	DATA3 0	DATA2 0
005405h	ADC_DRL1 Reset value	- 0	- 0	- 0	- 0	- 0	- 0	DATA1 0	DATA0 0
005406h	ADC_TDRH Reset value	TD15 0	TD14 0	TD13 0	TD12 0	TD11 0	TD10 0	TD9 0	TD8 0
005407h	ADC_TDRL Reset value	TD7 0	TD6 0	TD5 0	TD4 0	TD3 0	TD2 0	TD1 0	TD0 0

10 Option bytes

Option bytes contain configurations for device hardware features as well as the memory protection of the device. They are stored in a dedicated block of the memory. Each option byte has to be stored twice, for redundancy, in a regular form (OPTx) and a complemented one (NOPTx), except for the ROP (read-out protection) option byte and option bytes 8 to 16.

Option bytes can be modified in ICP mode (via SWIM) by accessing the EEPROM address shown in [Table 32: Option bytes](#) below.

Option bytes can also be modified 'on the fly' by the application in IAP mode, except the ROP and UBC options that can only be changed in ICP mode (via SWIM).

Refer to the STM8 Flash programming manual (PM0047) and STM8 SWIM communication protocol and debug module user manual (UM0470) for information on SWIM programming procedures.

Table 32. Option bytes

Addr.	Option name	Option byte no.	Option bits								Factory default setting
			7	6	5	4	3	2	1	0	
4800h	Read-out protection (ROP)	OPT0	ROP[7:0]								00h
4801h	User boot code (UBC)	OPT1	UBC[7:0]								00h
4802h		NOPT1	NUBC[7:0]								FFh
4803h	Alternate function remapping (AFR)	OPT2	AFR7	AFR6	AFR5	AFR4	AFR3	AFR2	AFR1	AFR0	00h
4804h		NOPT2	NAFR7	NAFR6	NAFR5	NAFR4	NAFR3	NAFR2	NAFR1	NAFR0	FFh
4805h	Watchdog option	OPT3	Reserved				LSI_EN	IWDG_HW	WWDG_HW	WWDG_HALT	00h
4806h		NOPT3	Reserved				NLSI_EN	NIWDG_HW	NWWDG_HW	NWWDG_HALT	FFh
4807h	Clock option	OPT4	Reserved				EXT_CLK	CKAW_USEL	PRSC1	PRSC0	00h
4808h		NOPT4	Reserved				NEXT_CLK	NCKAW_USEL	NPRSC1	NPRSC0	FFh
4809h	HSE clock startup	OPT5	HSECNT[7:0]								00h
480Ah		NOPT5	NHSECNT[7:0]								FFh
480Bh	TMU	OPT6	TMU[3:0]								00h
480Ch		NOPT6	NTMU[3:0]								FFh
480Dh	Flash wait states	OPT7	Reserved						WAIT STATE		00h
480Eh		NOPT7	Reserved						NWAIT STATE		FFh
480Fh	Reserved										
4810h	TMU	OPT8	TMU_KEY 1 [7:0]								00h
4811h		OPT9	TMU_KEY 2 [7:0]								00h
4812h		OPT10	TMU_KEY 3 [7:0]								00h
4813h		OPT11	TMU_KEY 4 [7:0]								00h
4814h		OPT12	TMU_KEY 5 [7:0]								00h
4815h		OPT13	TMU_KEY 6 [7:0]								00h
4816h		OPT14	TMU_KEY 7 [7:0]								00h
4817h		OPT15	TMU_KEY 8 [7:0]								00h
4818h		OPT16	TMU_MAX_ATT [7:0]								00h
4819h to 487D	Reserved										

Table 32. Option bytes (continued)

Addr.	Option name	Option byte no.	Option bits								Factory default setting
			7	6	5	4	3	2	1	0	
487E	Boot-loader ⁽¹⁾	OPT17	BL_EN [7:0]								00h
487F		NOPT 17	NBL_EN [7:0]								00h

1. This option consists of two bytes that must have a complementary value in order to be valid. If the option is invalid, it has no effect.

Table 33. Option byte description

Option byte no.	Description
OPT0	<p>ROP[7:0]: Memory readout protection (ROP) AAh: Enable readout protection (write access via SWIM protocol) <i>Note: Refer to the STM8A microcontroller family reference manual (RM0009) section on Flash/EEPROM memory readout protection for details.</i></p>
OPT1	<p>UBC[7:0]: User boot code area 00h: No UBC, no write-protection 01h: Page 0 to 1 defined as UBC, memory write-protected 02h: Page 0 to 3 defined as UBC, memory write-protected 03h to FFh: Pages 4 to 255 defined as UBC, memory write-protected <i>Note: Refer to the STM8A microcontroller family reference manual (RM0009) section on Flash/EEPROM write protection for more details.</i></p>
OPT2	<p>AFR7: Alternate function remapping option 7 0: Port D4 alternate function = TIM2_CC1 1: Port D4 alternate function = BEEP</p> <p>AFR6: Alternate function remapping option 6 0: Port B5 alternate function = AIN5, port B4 alternate function = AIN4 1: Port B5 alternate function = I²C_SDA, port B4 alternate function = I²C_SCL.</p> <p>AFR5: Alternate function remapping option 5 0: Port B3 alternate function = AIN3, port B2 alternate function = AIN2, port B1 alternate function = AIN1, port B0 alternate function = AIN0. 1: Port B3 alternate function = TIM1_ETR, port B2 alternate function = TIM1_NCC3, port B1 alternate function = TIM1_NCC2, port B0 alternate function = TIM1_NCC1.</p> <p>AFR4: Alternate function remapping option 4 0: Port D7 alternate function = TLI 1: Port D7 alternate function = TIM1_CC4</p> <p>AFR3: Alternate function remapping option 3 0: Port D0 alternate function = TIM3_CC2 1: Port D0 alternate function = TIM1_BKIN</p> <p>AFR2: Alternate function remapping option 2 0: Port D0 alternate function = TIM3_CC2 1: Port D0 alternate function = CLK_CCO <i>Note: AFR2 option has priority over AFR3 if both are activated</i></p> <p>AFR1: Alternate function remapping option 1 0: Port A3 alternate function = TIM2_CC3, port D2 alternate function TIM3_CC1. 1: Port A3 alternate function = TIM3_CC1, port D2 alternate function TIM2_CC3.</p> <p>AFR0: Alternate function remapping option 0 0: Port D3 alternate function = TIM2_CC2 1: Port D3 alternate function = ADC_ETR</p>

Table 33. Option byte description (continued)

Option byte no.	Description
OPT3	LSI_EN: Low speed internal clock enable 0: LSI clock is not available as CPU clock source 1: LSI clock is available as CPU clock source
	IWDG_HW: Independent watchdog 0: IWDG Independent watchdog activated by software 1: IWDG Independent watchdog activated by hardware
	WWDG_HW: Window watchdog activation 0: WWDG window watchdog activated by software 1: WWDG window watchdog activated by hardware
	WWDG_HALT: Window watchdog reset on halt 0: No reset generated on halt if WWDG active 1: Reset generated on halt if WWDG active
OPT4	EXTCLK: External clock selection 0: External crystal connected to OSCIN/OSCOUT 1: External clock signal on OSCIN
	CKAWUSEL: Auto wakeup unit/clock 0: LSI clock source selected for AWU 1: HSE clock with prescaler selected as clock source for for AWU
	PRSC[1:0]: AWU clock prescaler 00: 24 MHz to 128 kHz prescaler 01: 16 MHz to 128 kHz prescaler 10: 8 MHz to 128 kHz prescaler 11: 4 MHz to 128 kHz prescaler
OPT5	HSECNT[7:0]: HSE crystal oscillator stabilization time This configures the stabilisation time to 0.5, 8, 128, and 2048 HSE cycles with corresponding option byte values of E1h, D2h, B4h, and 00h.
OPT6	TMU[3:0]: Enable temporary memory unprotection 0101: TMU disabled (permanent ROP). Any other value: TMU enabled.
OPT7	WAIT STATE: Wait state configuration This option configures the number of wait states inserted when reading from the Flash/data EEPROM memory. 0: No wait state 1: One wait state
OPT8	TMU_KEY 1 [7:0]: Temporary unprotection key 0 Temporary unprotection key: Must be different from 00h or FFh
OPT9	TMU_KEY 2 [7:0]: Temporary unprotection key 1 Temporary unprotection key: Must be different from 00h or FFh
OPT10	TMU_KEY 3 [7:0]: Temporary unprotection key 2 Temporary unprotection key: Must be different from 00h or FFh
OPT11	TMU_KEY 4 [7:0]: Temporary unprotection key 3 Temporary unprotection key: Must be different from 00h or FFh

Table 33. Option byte description (continued)

Option byte no.	Description
OPT12	TMU_KEY 5 [7:0]: Temporary unprotection key 4 Temporary unprotection key: Must be different from 00h or FFh
OPT13	TMU_KEY 6 [7:0]: Temporary unprotection key 5 Temporary unprotection key: Must be different from 00h or FFh
OPT14	TMU_KEY 7 [7:0]: Temporary unprotection key 6 Temporary unprotection key: Must be different from 00h or FFh
OPT15	TMU_KEY 8 [7:0]: Temporary unprotection key 7 Temporary unprotection key: Must be different from 00h or FFh
OPT16	TMU_MAXATT [7:0]: TMU access failure counter Every unsuccessful trial to enter the temporary unprotection procedure increments the counter. More than eight unsuccessful trials trigger the global erase of the code and data memory.
OPT17	BL_EN [7:0]: Bootloader enable If this option byte is set to 55h (complementary value AAh) the bootloader program is activated also in case of a programmed code memory (for more details, see the bootloader user manual, UM0500).

11 Electrical characteristics

11.1 Parameter conditions

Unless otherwise specified, all voltages are referred to V_{SS} .

11.1.1 Minimum and maximum values

Unless otherwise specified the minimum and maximum values are guaranteed in the worst conditions of ambient temperature, supply voltage and frequencies by tests in production on 100 % of the devices with an ambient temperature at $T_A = -40\text{ }^\circ\text{C}$, $T_A = 25\text{ }^\circ\text{C}$, and $T_A = T_{Amax}$ (given by the selected temperature range).

Data based on characterization results, design simulation and/or technology characteristics are indicated in the table footnotes and are not tested in production.

11.1.2 Typical values

Unless otherwise specified, typical data are based on $T_A = 25\text{ }^\circ\text{C}$, $V_{DD} = 5.0\text{ V}$. They are given only as design guidelines and are not tested.

Typical ADC accuracy values are determined by characterization of a batch of samples from a standard diffusion lot over the full temperature range.

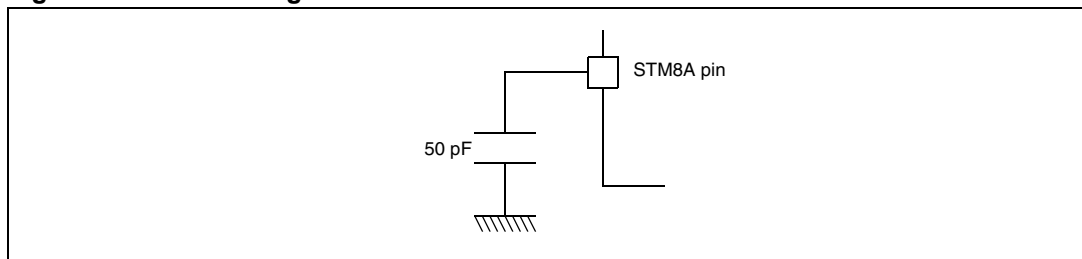
11.1.3 Typical curves

Unless otherwise specified, all typical curves are given only as design guidelines and are not tested.

11.1.4 Loading capacitor

The loading conditions used for pin parameter measurement are shown in [Figure 10](#).

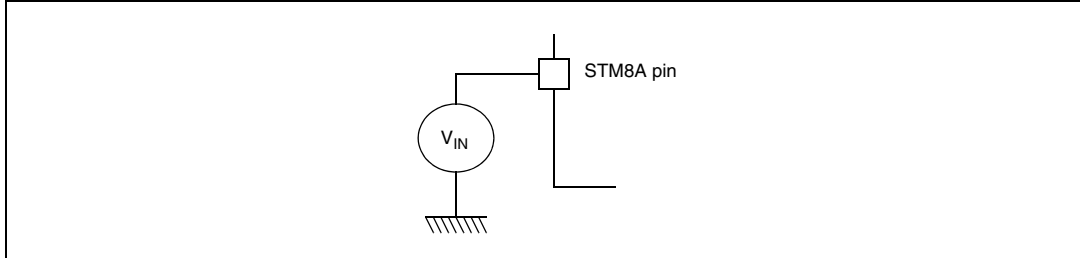
Figure 10. Pin loading conditions



11.1.5 Pin input voltage

The input voltage measurement on a pin of the device is described in [Figure 11](#).

Figure 11. Pin input voltage



11.2 Absolute maximum ratings

Stresses above those listed as ‘absolute maximum ratings’ may cause permanent damage to the device. This is a stress rating only and functional operation of the device under these conditions is not implied. Exposure to maximum rating conditions for extended periods may affect device reliability.

Table 34. Voltage characteristics

Symbol	Ratings	Min	Max	Unit
$V_{DDx} - V_{DD}$	Supply voltage (including V_{DDA} and V_{DDIO}) ⁽¹⁾	-0.3	6.5	V
V_{IN}	Input voltage on true open drain pins (PE1, PE2) ⁽²⁾	$V_{SS} - 0.3$	6.5	V
	Input voltage on any other pin ⁽²⁾	$V_{SS} - 0.3$	$V_{DD} + 0.3$	
$ V_{DDx} - V_{DD} $	Variations between different power pins	—	50	mV
$ V_{SSx} - V_{SS} $	Variations between all the different ground pins	—	50	
V_{ESD}	Electrostatic discharge voltage	see Absolute maximum ratings (electrical sensitivity) on page 94		

1. All power (V_{DD} , V_{DDIO} , V_{DDA}) and ground (V_{SS} , V_{SSIO} , V_{SSA}) pins must always be connected to the external power supply

2. $I_{IN(PIN)}$ must never be exceeded. This is implicitly insured if V_{IN} maximum is respected. If V_{IN} maximum cannot be respected, the injection current must be limited externally to the $I_{IN(PIN)}$ value. A positive injection is induced by $V_{IN} > V_{DD}$ while a negative injection is induced by $V_{IN} < V_{SS}$. For true open-drain pads, there is no positive injection current, and the corresponding V_{IN} maximum must always be respected

Table 35. Current characteristics

Symbol	Ratings	Max.	Unit
I_{VDDIO}	Total current into V_{DDIO} power lines (source) ⁽¹⁾⁽²⁾⁽³⁾	100	mA
I_{VSSIO}	Total current out of V_{SSIO} ground lines (sink) ⁽¹⁾⁽²⁾⁽³⁾	100	
I_{IO}	Output current sunk by any I/O and control pin	20	
	Output current source by any I/Os and control pin	-20	
$I_{INJ(PIN)}^{(4)}$	Injected current on any pin	±10	
$I_{INJ(TOT)}$	Sum of injected currents	50	

1. All power (V_{DD} , V_{DDIO} , V_{DDA}) and ground (V_{SS} , V_{SSIO} , V_{SSA}) pins must always be connected to the external supply.
2. The total limit applies to the sum of operation and injected currents.
3. V_{DDIO} includes the sum of the positive injection currents. V_{SSIO} includes the sum of the negative injection currents..
4. This condition is implicitly insured if V_{IN} maximum is respected. If V_{IN} maximum cannot be respected, the injection current must be limited externally to the $I_{INJ(PIN)}$ value. A positive injection is induced by $V_{IN} > V_{DD}$ while a negative injection is induced by $V_{IN} < V_{SS}$. For true open-drain pads, there is no positive injection current allowed and the corresponding V_{IN} maximum must always be respected.

Table 36. Thermal characteristics

Symbol	Ratings	Value	Unit
T_{STG}	Storage temperature range	-65 to 150	°C
T_J	Maximum junction temperature	160	

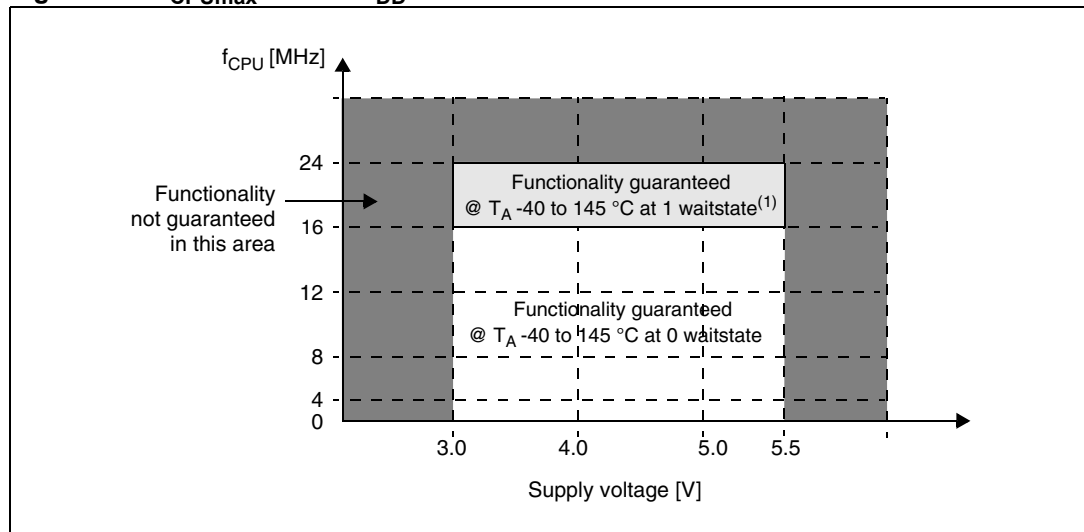
11.3 Operating conditions

Table 37. General operating conditions

Symbol	Parameter	Conditions	Min	Max	Unit
f _{CPU}	Internal CPU clock frequency	1 waitstate T _A = -40 °C to 145 °C	16	24 ⁽¹⁾	MHz
		0 waitstate T _A = -40 °C to 145 °C	0	16	
V _{DD} /V _{DDIO}	Standard operating voltage	—	3.0	5.5	V
V _{CAP} ⁽²⁾	Voltage regulator stabilization capacitor	—	470 nF ⁽³⁾	1	μF
T _A	Ambient temperature	Suffix A	-40	85	°C
		Suffix B		105	
		Suffix C		125	
		Suffix D		145	
T _J	Junction temperature range	A suffix version		90	
		B suffix version		110	
		C suffix version		130	
		D suffix version		150	

- For devices with less than 96 Kbyte of program memory, the 24 MHz are only achievable using the super set silicon (salestype contains SSS)
- V_{CAP} capacitor should have an ESR in the range 0.05 to 0.2 Ω. Such values are valid for frequencies and temperatures within the interval 1 MHz to 100 MHz. The ESL should be less than 2 nH.
- 470 nF ± 10 % is acceptable, taking into account all tolerances.

Figure 12. f_{CPUmax} versus V_{DD}



- For devices with less than 96 Kbyte of program memory, the 24 MHz are only achievable using the super set silicon (salestype contains SSS)

Table 38. Operating conditions at power-up/power-down

Symbol	Parameter	Conditions	Min	Typ	Max	Unit
t_{VDD}	V_{DD} rise time rate	—	20 ⁽¹⁾	—	∞	$\mu\text{s/V}$
	V_{DD} fall time rate	—	20 ⁽¹⁾	—	∞	
t_{TEMP}	Reset release delay	V_{DD} rising	—	3	—	ms
	Reset generation delay	V_{DD} falling	—	3	—	μs
V_{IT+}	Power-on reset threshold ⁽²⁾	—	2.65	2.8	2.95	V
V_{IT-}	Brown-out reset threshold	—	2.58	2.73	2.88	
$V_{HYS(BOR)}$	Brown-out reset hysteresis	—	—	70 ⁽¹⁾		mV

1. Guaranteed by design, not tested in production
2. If V_{DD} is below 3 V, the code execution is guaranteed above the V_{IT-} and V_{IT+} thresholds. RAM content is kept. The EEPROM programming sequence must not be initiated.

11.3.1 Supply current characteristics

The current consumption is measured as described in [Figure 10 on page 66](#) and [Figure 11 on page 67](#).

If not explicitly stated, general conditions of temperature and voltage apply.

Table 39. Total current consumption in run, wait and slow mode. General conditions for V_{DD} apply. T_A = -40 °C to 145 °C

Symbol	Parameter	Conditions	Typ	Max	Unit	
I _{DD(RUN)} ⁽¹⁾	Supply current in run mode	All peripherals clocked, code executed from EEPROM, HSE external clock	f _{CPU} = 24 MHz 1 ws	8.7	16.8 ⁽²⁾⁽³⁾	mA
			f _{CPU} = 16 MHz	7.4	14	
			f _{CPU} = 8 MHz	4.0	7.4 ⁽²⁾	
			f _{CPU} = 4 MHz	2.4	4.1 ⁽²⁾	
			f _{CPU} = 2 MHz	1.5	2.5	
I _{DD(RUN)} ⁽¹⁾	Supply current in run mode	All peripherals clocked, code executed from RAM, HSE external clock	f _{CPU} = 24 MHz	4.4	6.0 ⁽²⁾⁽³⁾	
			f _{CPU} = 16 MHz	3.7	5.0	
			f _{CPU} = 8 MHz	2.2	3.0 ⁽²⁾	
			f _{CPU} = 4 MHz	1.4	2.0 ⁽²⁾	
			f _{CPU} = 2 MHz	1.0	1.5	
I _{DD(WFI)} ⁽¹⁾	Supply current in wait mode	CPU stopped, all peripherals off, HSE external clock	f _{CPU} = 24 MHz	2.4	3.1 ⁽²⁾⁽³⁾	
			f _{CPU} = 16 MHz	1.65	2.5	
			f _{CPU} = 8 MHz	1.15	1.9 ⁽²⁾	
			f _{CPU} = 4 MHz	0.90	1.6 ⁽²⁾	
			f _{CPU} = 2 MHz	0.80	1.5	
I _{DD(SLOW)} ⁽¹⁾	Supply current in slow mode	f _{CPU} scaled down, all peripherals off, code executed from RAM	Extclock 16 MHz f _{CPU} = 125 kHz	1.50	1.95	
			LSI internal RC f _{CPU} = 128 kHz	1.50	1.80 ⁽²⁾	

1. The current due to I/O utilization is not taken into account in these values.
2. Values not tested in production. Design guidelines only.
3. For devices with less than 96 Kbyte of program memory, the 24 MHz are only achievable using the super set silicon (salestype contains SSS)

Table 40. Total current consumption in halt and active halt modes. General conditions for V_{DD} apply. $T_A = -40\text{ °C}$ to 55 °C unless otherwise stated

Symbol	Parameter	Conditions	Typ	Max	Unit
$I_{DD(H)}$	Supply current in halt mode	Clocks stopped, Flash in power-down mode	5	35 ⁽¹⁾	μA
		Clocks stopped, Flash in power-down mode, $T_A = 25\text{ °C}$	5	25	
$I_{DD(FAH)}$	Supply current in fast active halt mode	Extclock 16 MHz $f_{\text{MASTER}} = 125\text{ kHz}$	770	900 ⁽¹⁾	
		LSI clock 128 kHz	150	230 ⁽¹⁾	
$I_{DD(SAH)}$	Supply current in slow active halt mode	LSI clock 128 kHz	25	42 ⁽¹⁾	
		LSI clock 128 kHz, $T_A = 25\text{ °C}$	25	30	
$t_{WU(FAH)}$	Wakeup time from fast active halt mode	$T_A = -40\text{ °C}$ to 145 °C	10	30 ⁽¹⁾	μs
$t_{WU(SAH)}$	Wakeup time from slow active halt mode		50	80 ⁽¹⁾	

1. Data based on characterization results. Not tested in production.

On-chip peripherals

Table 41. Oscillator current consumption

Symbol	Parameter	Conditions	Typ	Max ⁽¹⁾	Unit	
$I_{DD(OSC)}$	HSE oscillator current consumption ⁽²⁾	Quartz or ceramic resonator, CL = 33 pF $V_{DD} = 5\text{ V}$	$f_{\text{OSC}} = 24\text{ MHz}$	1	2.0 ⁽³⁾	mA
			$f_{\text{OSC}} = 16\text{ MHz}$	0.6	—	
			$f_{\text{OSC}} = 8\text{ MHz}$	0.57	—	
$I_{DD(OSC)}$	HSE oscillator current consumption ⁽²⁾	Quartz or ceramic resonator, CL = 33 pF $V_{DD} = 3.3\text{ V}$	$f_{\text{OSC}} = 24\text{ MHz}$	0.5	1.0 ⁽³⁾	
			$f_{\text{OSC}} = 16\text{ MHz}$	0.25	—	
			$f_{\text{OSC}} = 8\text{ MHz}$	0.18	—	

- During startup, the oscillator current consumption may reach 6 mA.
- The supply current of the oscillator can be further optimized by selecting a high quality resonator with small R_m value. Refer to crystal manufacturer for more details
- Informative data.

Table 42. Programming current consumption

Symbol	Parameter	Conditions	Typ	Max	Unit
$I_{DD(PROG)}$	Programming current	$V_{DD} = 5\text{ V}$, -40 °C to 145 °C , erasing and programming data or program memory	1.0	1.7	mA

Current consumption curves

Figure 13 to Figure 18 show typical current consumption measured with code executing in RAM.

Figure 13. Typ. $I_{DD(RUN)HSE}$ vs. V_{DD}
@ $f_{CPU} = 16$ MHz, periph = on

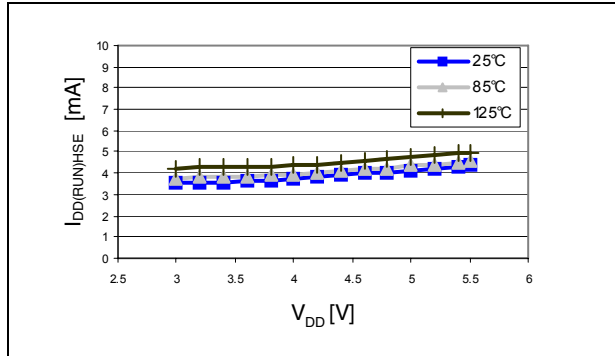


Figure 14. Typ. $I_{DD(RUN)HSE}$ vs. f_{CPU}
@ $V_{DD} = 5.0$ V, periph = on

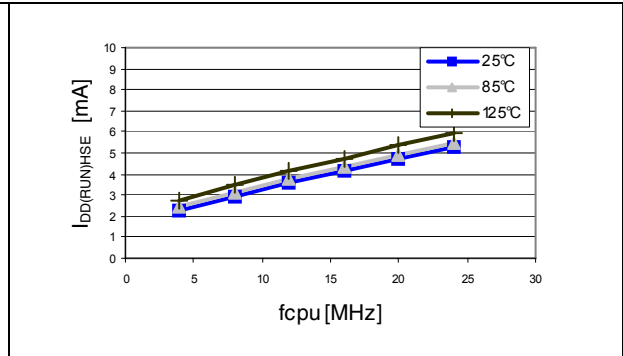


Figure 15. Typ. $I_{DD(RUN)HSI}$ vs. V_{DD}
@ $f_{CPU} = 16$ MHz, periph = off

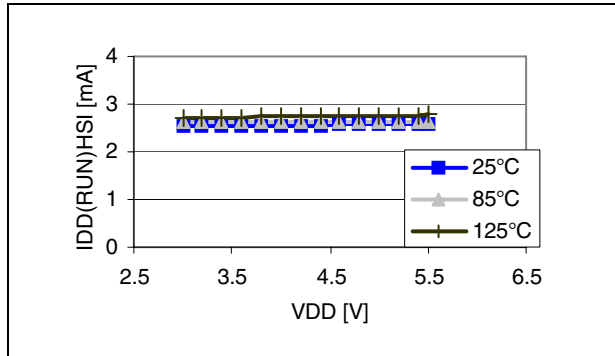


Figure 16. Typ. $I_{DD(WFI)HSE}$ vs. V_{DD}
@ $f_{CPU} = 16$ MHz, periph = on

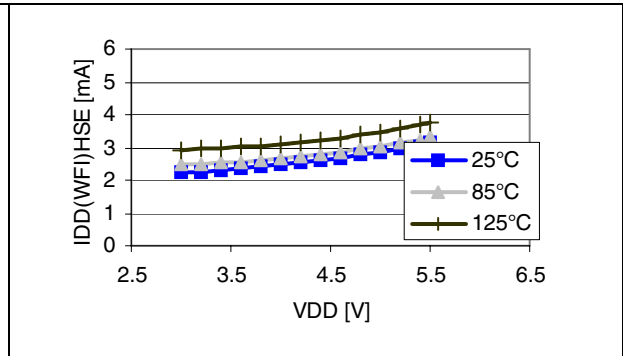


Figure 17. Typ. $I_{DD(WFI)HSE}$ vs. f_{CPU}
@ $V_{DD} = 5.0$ V, periph = on

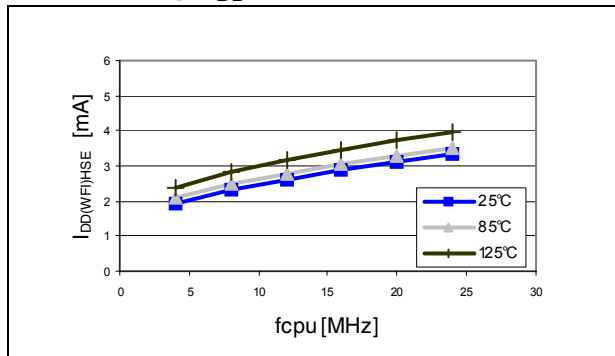


Figure 18. Typ. $I_{DD(WFI)HSI}$ vs. V_{DD}
@ $f_{CPU} = 16$ MHz, periph = off

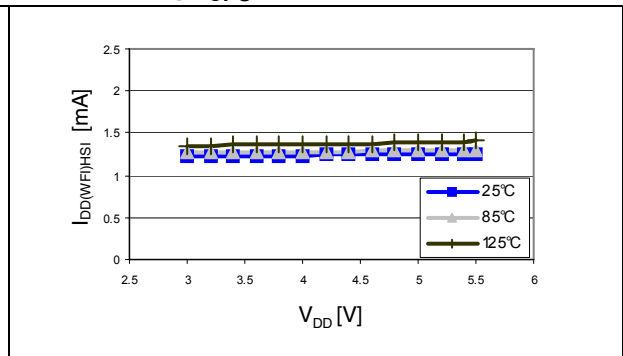


Table 43. Typical peripheral current consumption $V_{DD} = 5.0\text{ V}^{(1)}$

Symbol	Parameter	Typ. $f_{\text{master}} = 2\text{ MHz}$	Typ. $f_{\text{master}} = 16\text{ MHz}$	Typ. $f_{\text{master}} = 24\text{ MHz}$	Unit
$I_{DD}(\text{TIM1})$	TIM1 supply current ⁽²⁾	0.03	0.23	0.34	mA
$I_{DD}(\text{TIM2})$	TIM2 supply current ⁽²⁾	0.02	0.12	0.19	
$I_{DD}(\text{TIM3})$	TIM3 supply current ⁽²⁾	0.01	0.1	0.16	
$I_{DD}(\text{TIM4})$	TIM4 supply current ⁽²⁾	0.004	0.03	0.05	
$I_{DD}(\text{USART})$	USART supply current ⁽²⁾	0.03	0.09	0.15	
$I_{DD}(\text{LINUART})$	LINUART supply current ⁽²⁾	0.03	0.11	0.18	
$I_{DD}(\text{SPI})$	SPI supply current ⁽²⁾	0.01	0.04	0.07	
$I_{DD}(\text{I}^2\text{C})$	I ² C supply current ⁽²⁾	0.02	0.06	0.91	
$I_{DD}(\text{CAN})$	CAN supply current ⁽³⁾	0.06	0.30	0.40	
$I_{DD}(\text{AWU})$	AWU supply current ⁽²⁾	0.003	0.02	0.05	
$I_{DD}(\text{TOT_DIG})$	All digital peripherals on	0.22	1	2.4	
$I_{DD}(\text{ADC})$	ADC supply current when converting ⁽⁴⁾	0.93	0.95	0.96	

1. Typical values not tested in production. Since the peripherals are powered by an internally regulated, constant digital supply voltage, the values are similar in the full supply voltage range.
2. Data based on a differential I_{DD} measurement between no peripheral clocked and a single active peripheral. This measurement does not include the pad toggling consumption.
3. Data based on a differential I_{DD} measurement between reset configuration (CAN disabled) and a permanent CAN data transmit sequence in loopback mode at 1 MHz. This measurement does not include the pad toggling consumption.
4. Data based on a differential I_{DD} measurement between reset configuration and continuous A/D conversions.

11.3.2 External clock sources and timing characteristics

HSE external clock

An HSE clock can be generated by feeding an external clock signal of up to 24 MHz to the OSCIN pin.

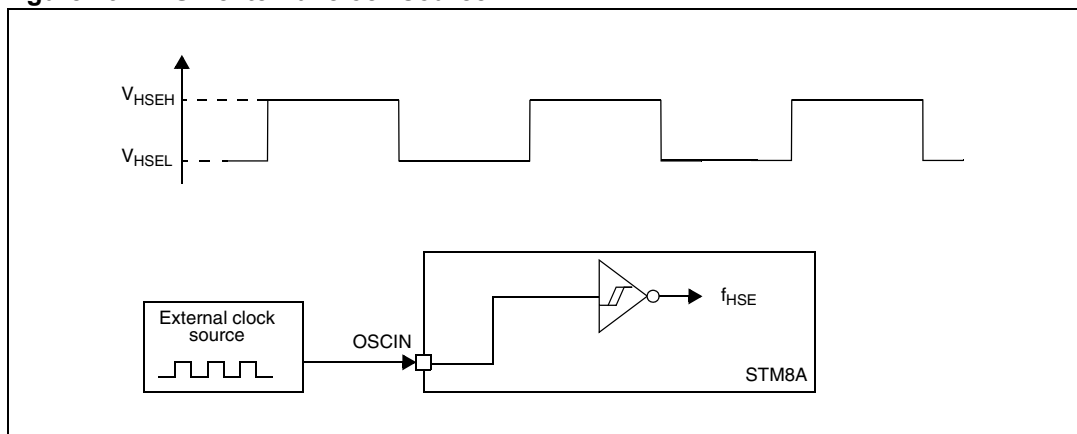
Clock characteristics are subject to general operating conditions for V_{DD} and T_A .

Table 44. HSE external clock characteristics

Symbol	Parameter	Conditions	Min	Typ	Max	Unit
f_{HSE_ext}	User external clock source frequency	$T_A = -40\text{ }^\circ\text{C to } 145\text{ }^\circ\text{C}$	0 ⁽¹⁾	—	24 ⁽²⁾	MHz
V_{HSEdHL}	Comparator hysteresis	—	$0.1 \times V_{DD}$	—	—	V
V_{HSEH}	OSCIN high-level input pin voltage	—	$0.7 \times V_{DD}$	—	V_{DD}	
V_{HSEL}	OSCIN low-level input pin voltage	—	V_{SS}	—	$0.3 \times V_{DD}$	
I_{LEAK_HSE}	OSCIN input leakage current	$V_{SS} < V_{IN} < V_{DD}$	-1	—	+1	μA

1. If CSS is used, the external clock must have a frequency above 500 kHz.
2. For devices with less than 96 Kbyte of program memory, the 24 MHz are only achievable using the super set silicon (salestype contains SSS)

Figure 19. HSE external clock source



HSE crystal/ceramic resonator oscillator

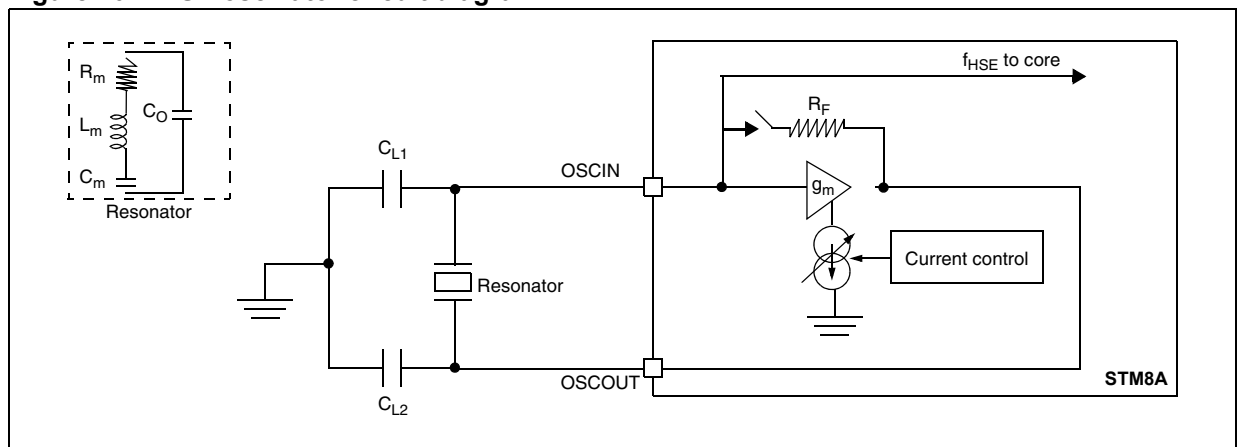
The HSE clock can be supplied using a crystal/ceramic resonator oscillator of up to 24 MHz. All the information given in this paragraph is based on characterization results with specified typical external components. In the application, the resonator and the load capacitors have to be placed as close as possible to the oscillator pins in order to minimize output distortion and startup stabilization time. Refer to the crystal resonator manufacturer for more details (frequency, package, accuracy...).

Table 45. HSE oscillator characteristics

Symbol	Parameter	Conditions	Min	Typ	Max	Unit
R_F	Feedback resistor	—	—	220	—	k Ω
$C_{L1}/C_{L2}^{(1)}$	Recommended load capacitance	—	—	—	20	pF
g_m	Oscillator transconductance	—	5	—	—	mA/V
$t_{SU(HSE)}^{(2)}$	Startup time	V_{DD} is stabilized	—	2.8	—	ms

1. The oscillator needs two load capacitors, C_{L1} and C_{L2} , to act as load for the crystal. The total load capacitance (Cload) is $(C_{L1} * C_{L2}) / (C_{L1} + C_{L2})$. If $C_{L1} = C_{L2}$, Cload = $C_{L1}/2$. Some oscillators have built-in load capacitors, C_{L1} and C_{L2} .
2. This value is the startup time, measured from the moment it is enabled (by software) until a stabilized 24 MHz oscillation is reached. It can vary with the crystal type that is used.

Figure 20. HSE oscillator circuit diagram



HSE oscillator critical g_m formula

The crystal characteristics have to be checked with the following formula:

Equation 1

$$g_m \gg g_{m\text{crit}}$$

where $g_{m\text{crit}}$ can be calculated with the crystal parameters as follows:

Equation 2

$$g_{m\text{crit}} = (2 \times \Pi \times f_{\text{HSE}})^2 \times R_m (2C_o + C)^2$$

- R_m : Notional resistance (see crystal specification)
- L_m : Notional inductance (see crystal specification)
- C_m : Notional capacitance (see crystal specification)
- C_o : Shunt capacitance (see crystal specification)
- $C_{L1} = C_{L2} = C$: Grounded external capacitance

11.3.3 Internal clock sources and timing characteristics

Subject to general operating conditions for V_{DD} and T_A .

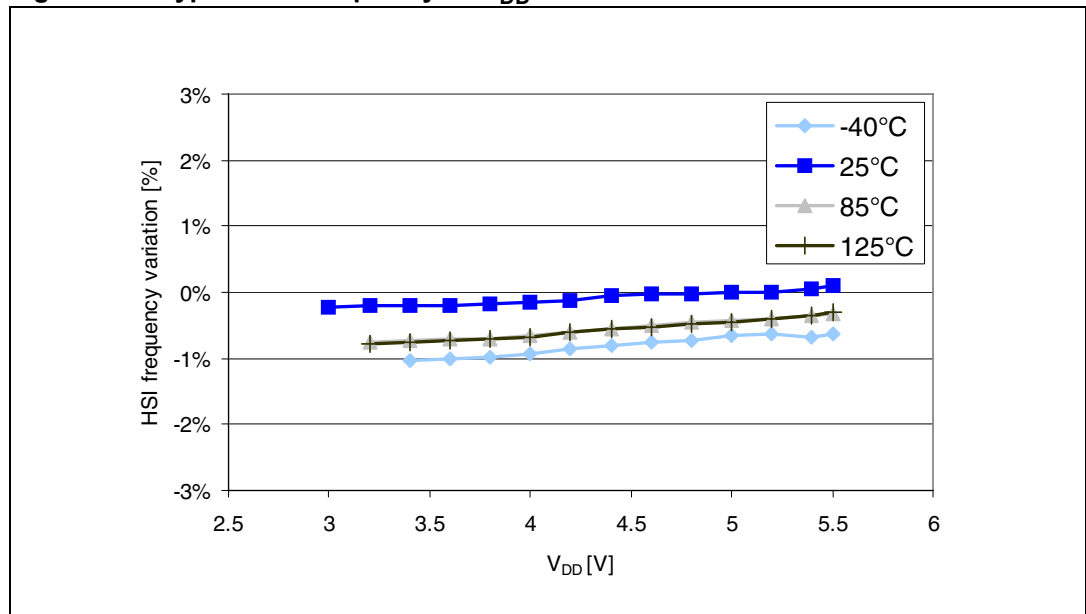
High-speed internal RC oscillator (HSI)

Table 46. HSI oscillator characteristics

Symbol	Parameter	Conditions	Min	Typ	Max	Unit
f_{HSI}	Frequency	—	—	16	—	MHz
ACC_{HS}	HSI oscillator user trimming accuracy	Trimmed by the application for any V_{DD} and T_A conditions	-1	—	1	%
	HSI oscillator accuracy (factory calibrated)	$V_{DD} = 3.0\text{ V} \leq V_{DD} \leq 5.5\text{ V}$, $-40\text{ }^\circ\text{C} \leq T_A \leq 145\text{ }^\circ\text{C}$	-5	—	5	
$t_{su(HSI)}$	HSI oscillator wakeup time	—	—	—	2 ⁽¹⁾	μs

1. Guaranteed by characterization, not tested in production

Figure 21. Typical HSI frequency vs V_{DD}



Low-speed internal RC oscillator (LSI)

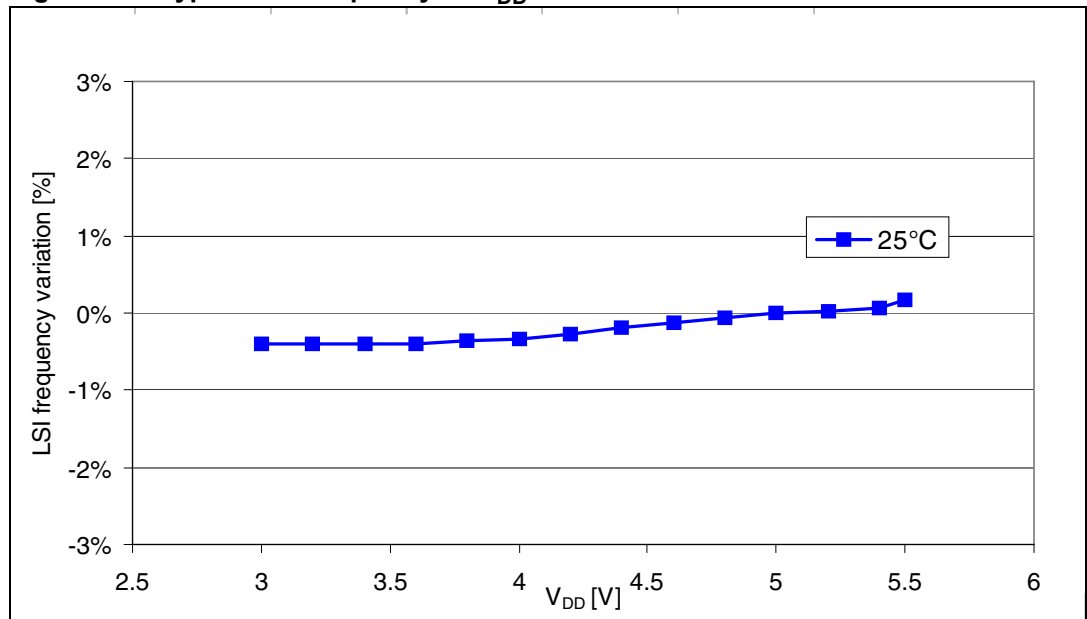
Subject to general operating conditions for V_{DD} and T_A .

Table 47. LSI oscillator characteristics

Symbol	Parameter	Conditions	Min	Typ	Max	Unit
f_{LSI}	Frequency	—	112	128	144	kHz
$t_{su(LSI)}$	LSI oscillator wakeup time	—	—	—	7 ⁽¹⁾	μs

1. Data based on characterization results, not tested in production.

Figure 22. Typical LSI frequency vs V_{DD}



11.3.4 Memory characteristics

Flash program memory/data EEPROM memory

General conditions: $T_A = -40\text{ °C to }145\text{ °C}$.

Table 48. Flash program memory/data EEPROM memory

Symbol	Parameter	Conditions	Min ⁽¹⁾	Typ	Max	Unit
V_{DD}	Operating voltage (all modes, execution/write/erase)	f_{CPU} is 16 to 24 MHz with 1 ws ⁽²⁾ f_{CPU} is 0 to 16 MHz with 0 ws	3.0	—	5.5	V
V_{DD}	Operating voltage (code execution)	f_{CPU} is 16 to 24 MHz with 1 ws ⁽²⁾ f_{CPU} is 0 to 16 MHz with 0 ws	2.6	—	5.5	
t_{prog}	Standard programming time (including erase) for byte/word/block (1 byte/4 bytes/128 bytes)	—	—	6	6.6	ms
	Fast programming time for 1 block (128 bytes)	—	—	3	3.3	
t_{erase}	Erase time for 1 block (128 bytes)	—	—	3	3.3	ms

1. Guaranteed by characterization, not tested in production.
2. For devices with less than 96 Kbyte of program memory, the 24 MHz are only achievable using the super set silicon (salestype contains SSS)

Table 49. Program memory

Symbol	Parameter	Condition	Min	Max	Unit
T_{WE}	Temperature for writing and erasing	—	-40	125	°C
N_{WE}	Program memory endurance (erase/write cycles) ⁽¹⁾	$T_A = 25\text{ °C}$	1000	—	cycles
t_{RET}	Data retention time	$T_A = 25\text{ °C}$	40	—	years
		$T_A = 55\text{ °C}$	20	—	

1. The physical granularity of the memory is four bytes, so cycling is performed on four bytes even when a write/erase operation addresses a single byte.

Table 50. Data memory

Symbol	Parameter	Condition	Min	Max	Unit
T_{WE}	Temperature for writing and erasing	—	-40	125 145 ⁽¹⁾	°C
N_{WE}	Data memory endurance ⁽²⁾ (erase/write cycles)	$T_A = 25\text{ °C}$	300 k	—	cycles
		$T_A = -40\text{ °C to }125\text{ °C}$	100 k ⁽³⁾	—	
t_{RET}	Data retention time	$T_A = 25\text{ °C}$	40 ⁽³⁾⁽⁴⁾	—	years
		$T_A = 55\text{ °C}$	20 ⁽³⁾⁽⁴⁾	—	

1. Target value, to be confirmed.
2. The physical granularity of the memory is four bytes, so cycling is performed on four bytes even when a write/erase operation addresses a single byte.
3. More information on the relationship between data retention time and number of write/erase cycles is available in a separate technical document.
4. Retention time for 256B of data memory after up to 1000 cycles at 125 °C.

11.3.5 I/O port pin characteristics

General characteristics

Subject to general operating conditions for V_{DD} and T_A unless otherwise specified. All unused pins must be kept at a fixed voltage, using the output mode of the I/O for example or an external pull-up or pull-down resistor.

Table 51. I/O static characteristics

Symbol	Parameter	Conditions	Min	Typ	Max	Unit
V_{IL}	Low-level input voltage	—	-0.3 V		$0.3 \times V_{DD}$	—
V_{IH}	High-level input voltage		$0.7 \times V_{DD}$		$V_{DD} + 0.3 \text{ V}$	
V_{hys}	Hysteresis ⁽¹⁾		—	$0.1 \times V_{DD}$	—	
V_{OH}	High-level output voltage	Standard I/O, $V_{DD} = 5 \text{ V}$, $I = 3 \text{ mA}$	$V_{DD} - 0.5 \text{ V}$	—	—	—
		Standard I/O, $V_{DD} = 3 \text{ V}$, $I = 1.5 \text{ mA}$	$V_{DD} - 0.4 \text{ V}$	—	—	
V_{OL}	Low-level output voltage	High sink and true open drain I/O, $V_{DD} = 5 \text{ V}$ $I = 8 \text{ mA}$	—	—	0.5	V
		Standard I/O, $V_{DD} = 5 \text{ V}$ $I = 3 \text{ mA}$	—	—	0.6	
		Standard I/O, $V_{DD} = 3 \text{ V}$ $I = 1.5 \text{ mA}$	—	—	0.4	
R_{pu}	Pull-up resistor	$V_{DD} = 5 \text{ V}$, $V_{IN} = V_{SS}$	35	50	65	k Ω
t_R, t_F	Rise and fall time (10% - 90%)	Fast I/Os Load = 50 pF	—	—	20 ⁽²⁾	ns
		Standard and high sink I/Os Load = 50 pF	—	—	125 ⁽²⁾	
I_{lkg}	Digital input pad leakage current	$V_{SS} \leq V_{IN} \leq V_{DD}$	—	—	± 1	μA
$I_{lkg \text{ ana}}$	Analog input pad leakage current	$V_{SS} \leq V_{IN} \leq V_{DD}$ $-40 \text{ }^\circ\text{C} < T_A < 125 \text{ }^\circ\text{C}$	—	—	± 250	nA
		$V_{SS} \leq V_{IN} \leq V_{DD}$ $-40 \text{ }^\circ\text{C} < T_A < 145 \text{ }^\circ\text{C}$	—	—	± 500	
$I_{lkg(inj)}$	Leakage current in adjacent I/O ⁽²⁾	Injection current $\pm 4 \text{ mA}$	—	—	± 1 ⁽²⁾	μA
I_{DDIO}	Total current on either V_{DDIO} or V_{SSIO}	Including injection currents	—	—	60	mA

- Hysteresis voltage between Schmitt trigger switching levels. Based on characterization results, not tested in production.
- Data based on characterization results, not tested in production.

Figure 23. Typical V_{IL} and V_{IH} vs V_{DD} @ four temperatures

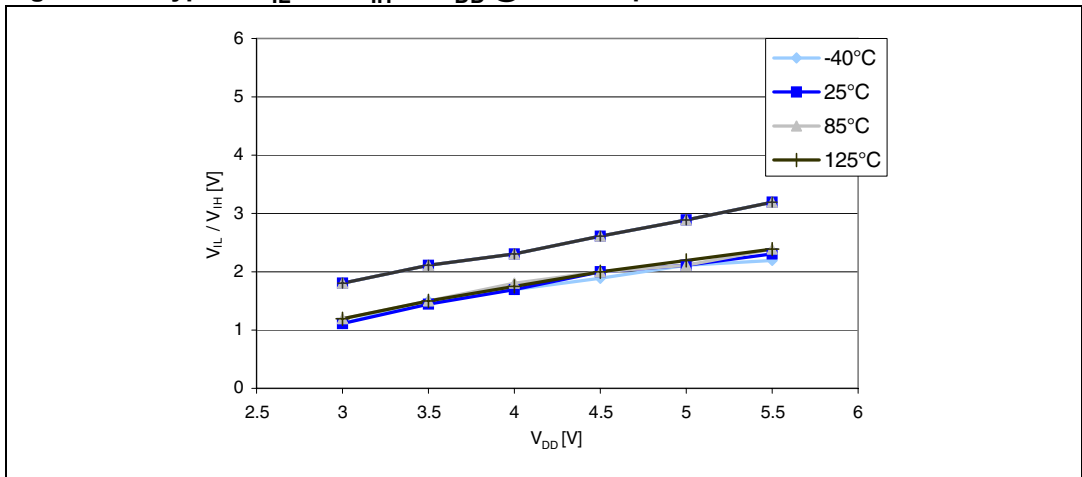


Figure 24. Typical pull-up resistance R_{PU} vs V_{DD} @ four temperatures

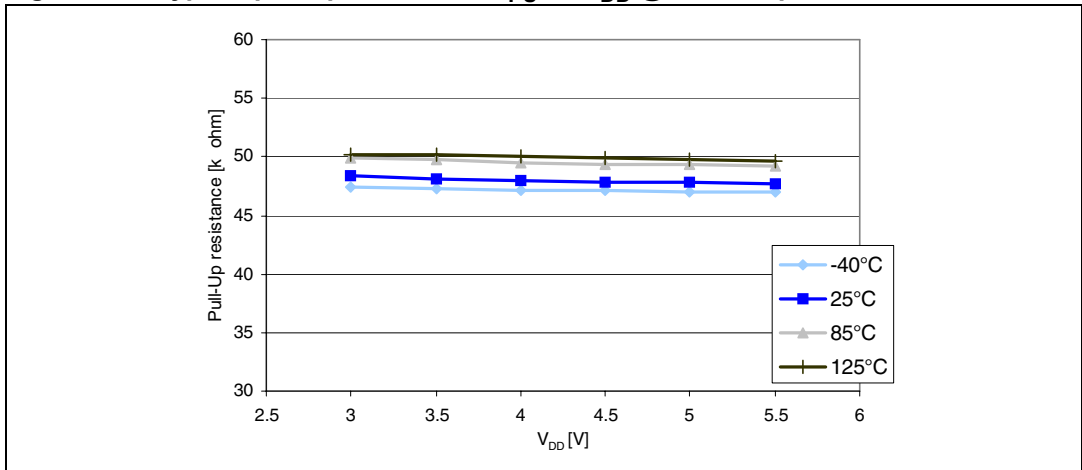
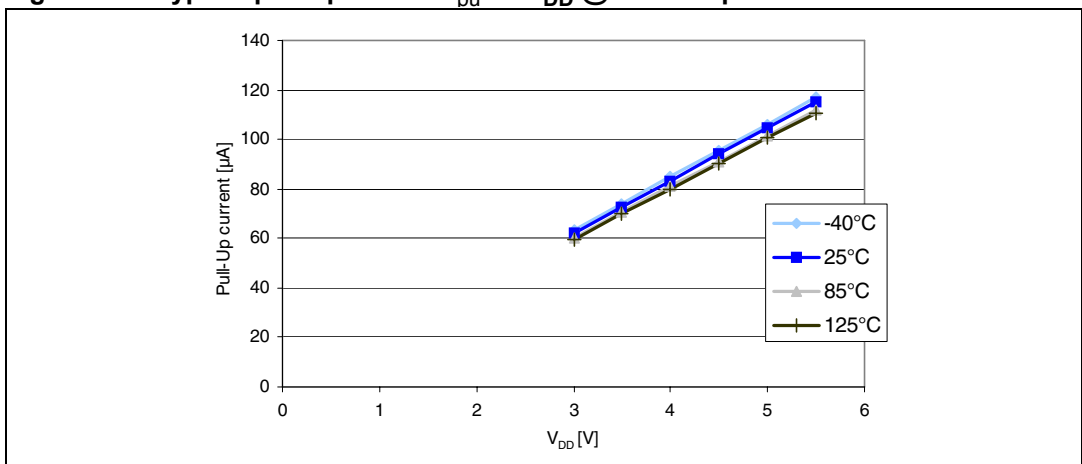


Figure 25. Typical pull-up current I_{DU} vs V_{DD} @ four temperatures⁽¹⁾



1. The pull-up is a pure resistor (slope goes through 0).

Typical output level curves

Figure 26 to Figure 35 show typical output level curves measured with output on a single pin.

Figure 26. Typ. V_{OL} @ $V_{DD} = 3.3$ V (standard ports)

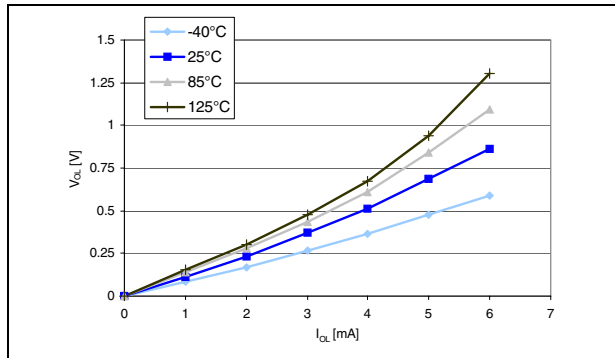


Figure 27. Typ. V_{OL} @ $V_{DD} = 5.0$ V (standard ports)

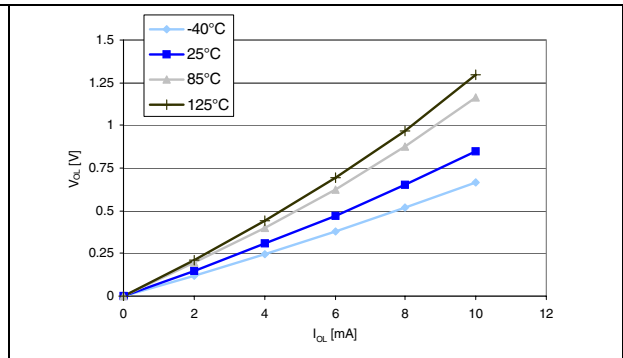


Figure 28. Typ. V_{OL} @ $V_{DD} = 3.3$ V (true open drain ports)

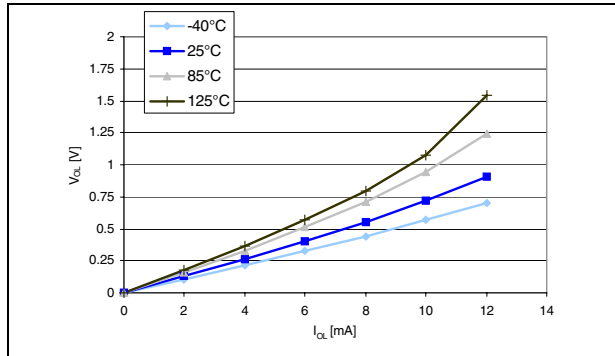


Figure 29. Typ. V_{OL} @ $V_{DD} = 5.0$ V (true open drain ports)

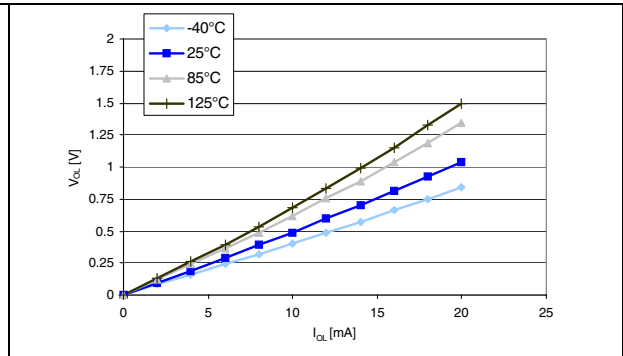


Figure 30. Typ. V_{OL} @ $V_{DD} = 3.3$ V (high sink ports)

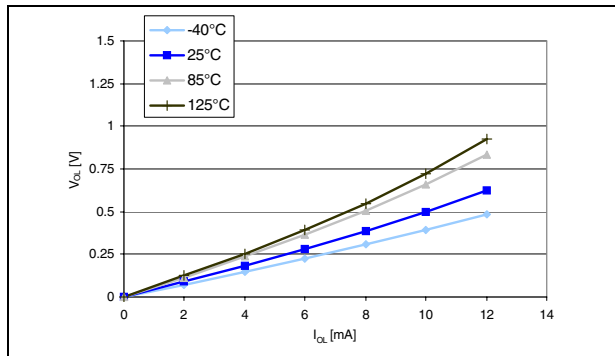


Figure 31. Typ. V_{OL} @ $V_{DD} = 5.0$ V (high sink ports)

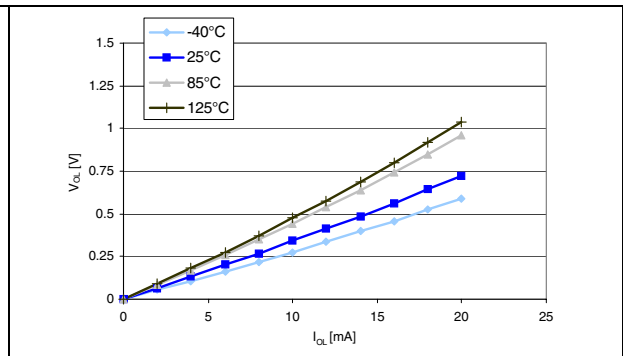


Figure 32. Typ. $V_{DD} - V_{OH}$ @ $V_{DD} = 3.3\text{ V}$ (standard ports)

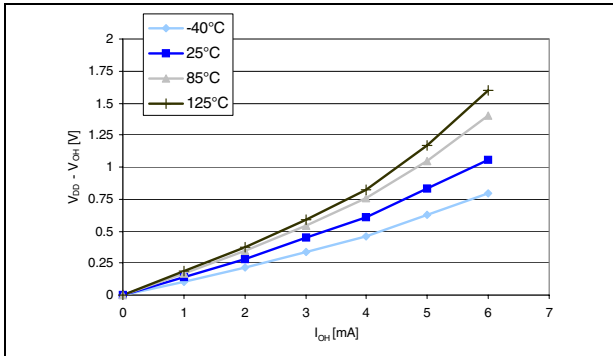


Figure 33. Typ. $V_{DD} - V_{OH}$ @ $V_{DD} = 5.0\text{ V}$ (standard ports)

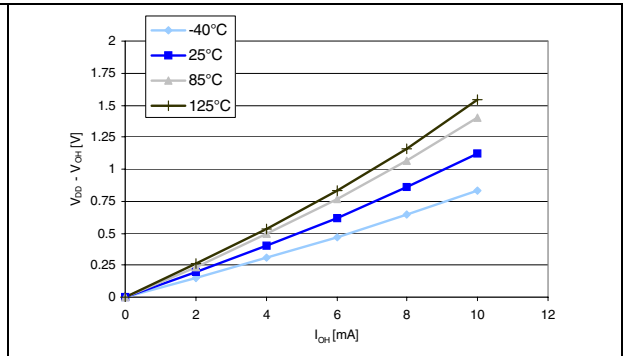


Figure 34. Typ. $V_{DD} - V_{OH}$ @ $V_{DD} = 3.3\text{ V}$ (high sink ports)

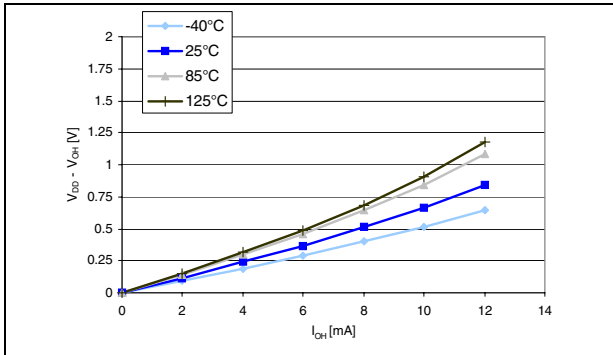
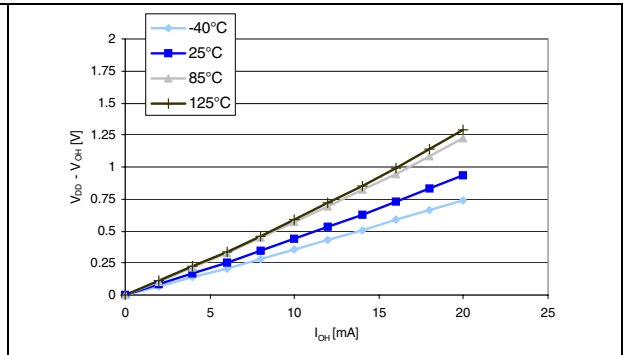


Figure 35. Typ. $V_{DD} - V_{OH}$ @ $V_{DD} = 5.0\text{ V}$ (high sink ports)



11.3.6 Reset pin characteristics

Subject to general operating conditions for V_{DD} and T_A unless otherwise specified.

Table 52. NRST pin characteristics

Symbol	Parameter	Conditions	Min	Typ	Max	Unit
$V_{IL(NRST)}$	NRST low-level input voltage ⁽¹⁾	—	V_{SS}	—	$0.3 \times V_{DD}$	—
$V_{IH(NRST)}$	NRST high-level input voltage ⁽¹⁾	—	$0.7 \times V_{DD}$	—	V_{DD}	—
$V_{OL(NRST)}$	NRST low-level output voltage ⁽¹⁾	$I_{OL} = 3 \text{ mA}$	—	—	0.6	V
$R_{PU(NRST)}$	NRST pull-up resistor	—	30	40	60	k Ω
$V_{F(NRST)}$	NRST input filtered pulse ⁽¹⁾	—	85	—	315	ns

1. Data based on characterization results, not tested in production.

Figure 36. Typical NRST V_{IL} and V_{IH} vs V_{DD} @ four temperatures

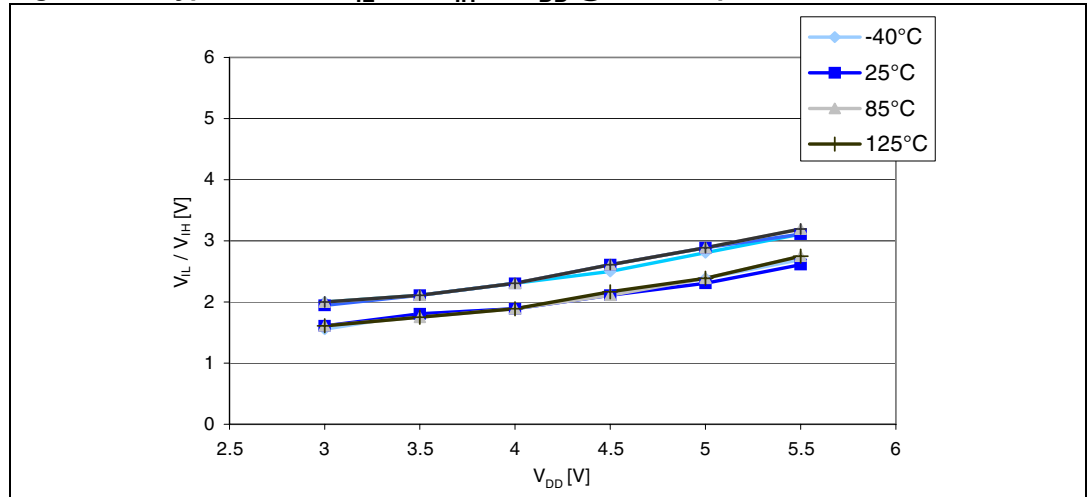


Figure 37. Typical NRST pull-up resistance R_{PU} vs V_{DD}

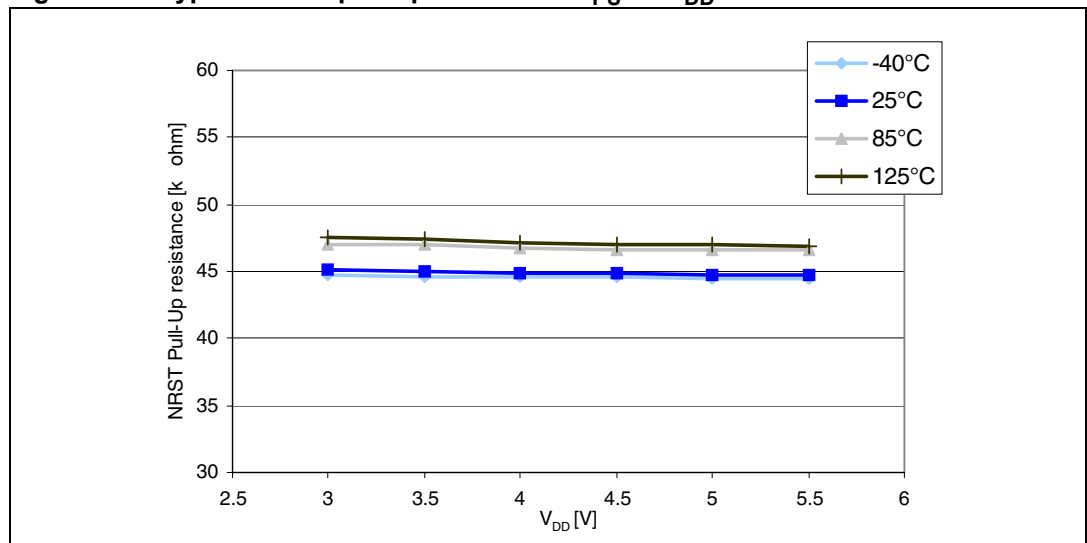
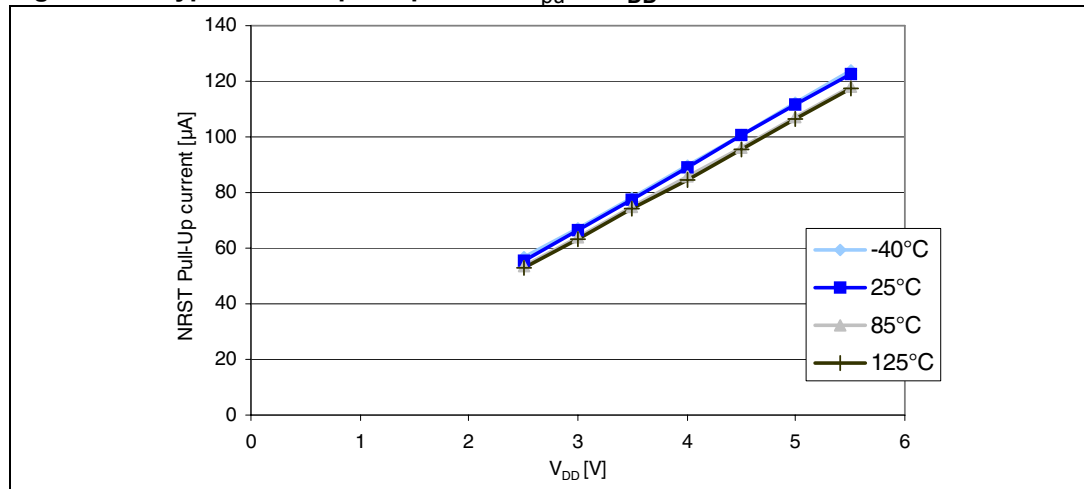
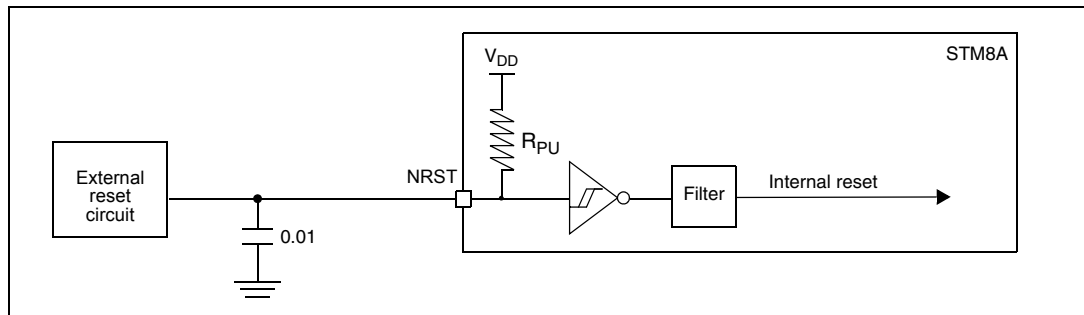


Figure 38. Typical NRST pull-up current I_{pu} vs V_{DD}



The reset network shown in Figure 39 protects the device against parasitic resets.

Figure 39. Recommended reset pin protection



11.3.7 TIM 1, 2, 3, and 4 electrical specifications

Subject to general operating conditions for V_{DD} , f_{MASTER} and T_A .

Table 53. TIM 1, 2, 3, and 4 electrical specifications

Symbol	Parameter	Conditions	Min	Typ	Max	Unit
f_{EXT}	Timer external clock frequency ⁽¹⁾	—	—	—	24	MHz

1. Not tested in production. For devices with less than 96 Kbyte of program memory, the 24 MHz are only achievable using the super set silicon (salestype contains SSS).

11.3.8 SPI interface

Unless otherwise specified, the parameters given in [Table 54](#) are derived from tests performed under ambient temperature, f_{MASTER} frequency, and V_{DD} supply voltage conditions. $t_{\text{MASTER}} = 1/f_{\text{MASTER}}$.

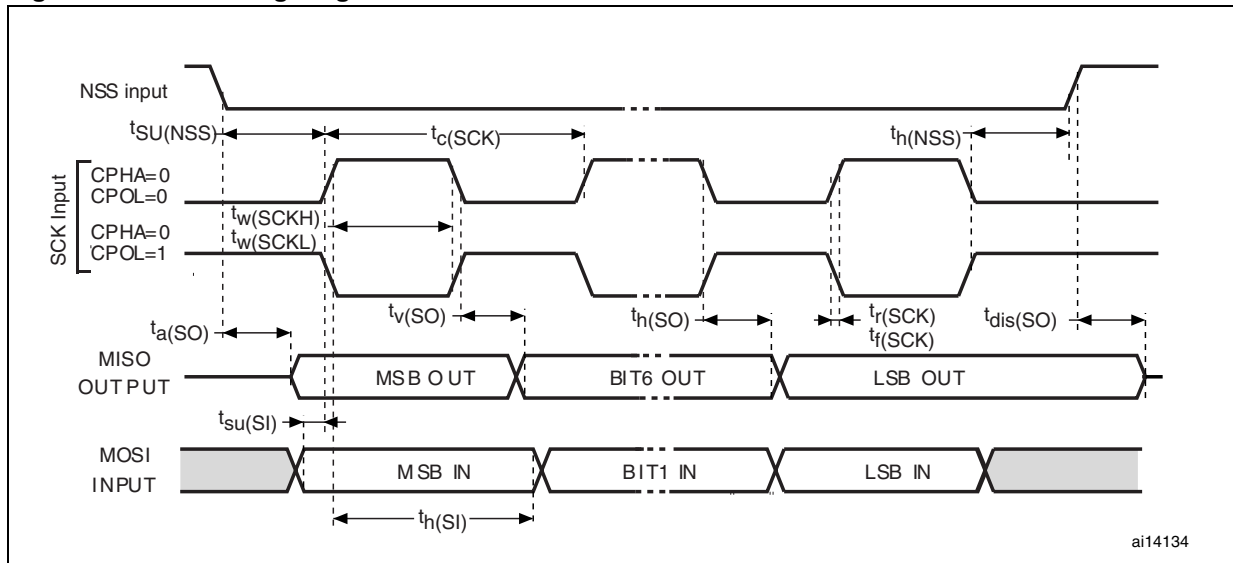
Refer to I/O port characteristics for more details on the input/output alternate function characteristics (NSS, SCK, MOSI, MISO).

Table 54. SPI characteristics

Symbol	Parameter	Conditions	Min	Max	Unit	
f_{SCK} $1/t_{\text{c(SCK)}}$	SPI clock frequency	Master mode	0	10	MHz	
		Slave mode	$V_{\text{DD}} < 4.5 \text{ V}$	0		6 ⁽¹⁾
			$V_{\text{DD}} = 4.5 \text{ V to } 5.5 \text{ V}$	0		8 ⁽¹⁾
$t_{\text{r(SCK)}}$ $t_{\text{f(SCK)}}$	SPI clock rise and fall time	Capacitive load: $C = 30 \text{ pF}$	—	25 ⁽²⁾	ns	
$t_{\text{su(NSS)}}^{(3)}$	NSS setup time	Slave mode	$4 * t_{\text{MASTER}}$	—		
$t_{\text{h(NSS)}}^{(3)}$	NSS hold time	Slave mode	70	—		
$t_{\text{w(SCKH)}}^{(3)}$ $t_{\text{w(SCKL)}}^{(3)}$	SCK high and low time	Master mode, $f_{\text{MASTER}} = 8 \text{ MHz}, f_{\text{SCK}} = 4 \text{ MHz}$	110	140		
$t_{\text{su(MI)}}^{(3)}$ $t_{\text{su(SI)}}^{(3)}$	Data input setup time	Master mode	5	—		
		Slave mode	5	—		
$t_{\text{h(MI)}}^{(3)}$ $t_{\text{h(SI)}}^{(3)}$	Data input hold time	Master mode	7	—		
		Slave mode	10	—		
$t_{\text{a(SO)}}^{(3)(4)}$	Data output access time	Slave mode	—	$3 * t_{\text{MASTER}}$		
$t_{\text{dis(SO)}}^{(3)(5)}$	Data output disable time	Slave mode	25	—		
$t_{\text{v(SO)}}^{(3)}$	Data output valid time	Slave mode (after enable edge)	$V_{\text{DD}} < 4.5 \text{ V}$	75		
		$V_{\text{DD}} = 4.5 \text{ V to } 5.5 \text{ V}$	53			
$t_{\text{v(MO)}}^{(3)}$	Data output valid time	Master mode (after enable edge)	—	30		
$t_{\text{h(SO)}}^{(3)}$ $t_{\text{h(MO)}}^{(3)}$	Data output hold time	Slave mode (after enable edge)	31	—		
		Master mode (after enable edge)	12	—		

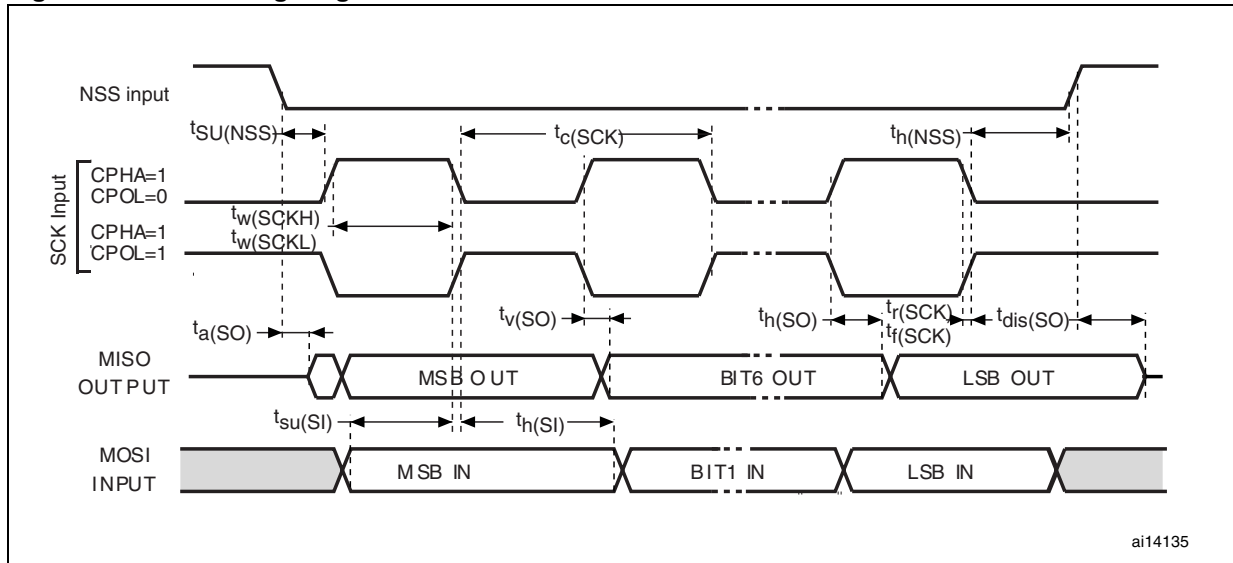
- f_{MAX} is $f_{\text{MASTER}}/2$.
- The pad has to be configured accordingly (fast mode).
- Values based on design simulation and/or characterization results, and not tested in production.
- Min time is for the minimum time to drive the output and the max time is for the maximum time to validate the data.
- Min time is for the minimum time to invalidate the output and the max time is for the maximum time to put the data in Hi-Z.

Figure 40. SPI timing diagram in slave mode and with CPHA = 0



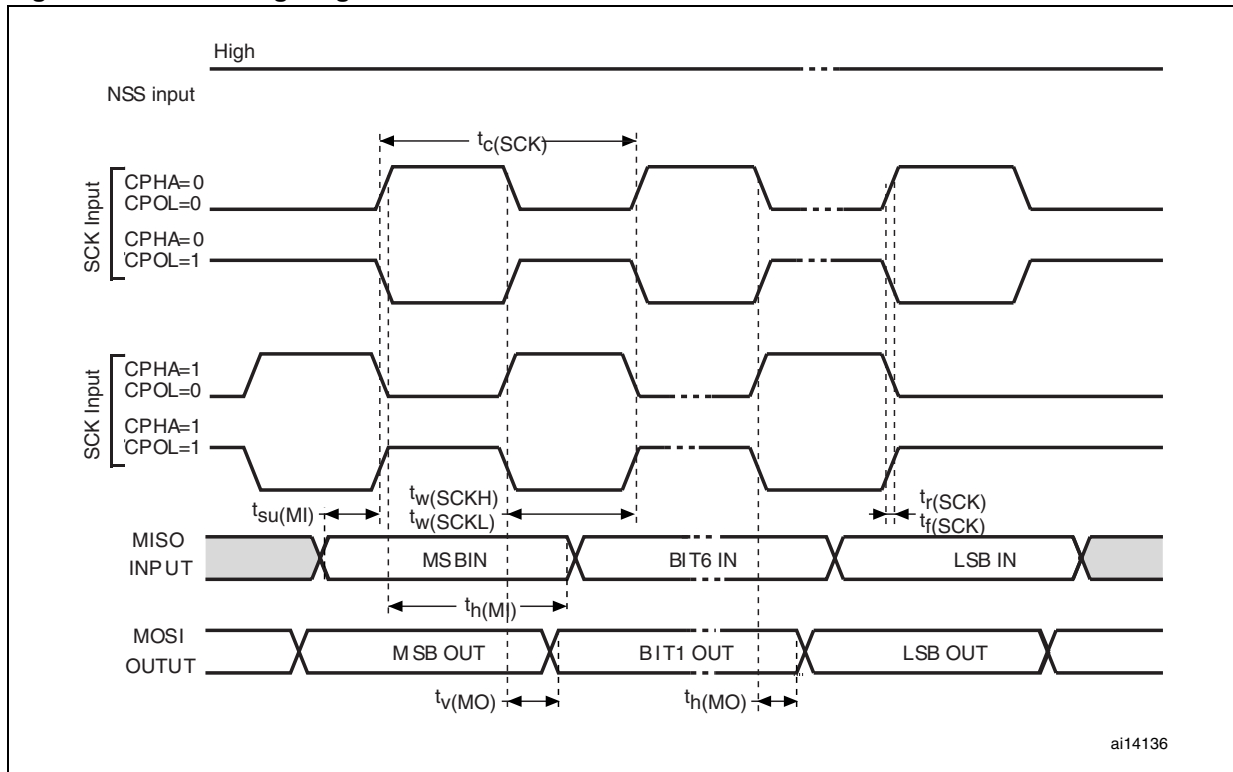
1. Measurement points are at CMOS levels: 0.3 V_{DD} and 0.7 V_{DD}.

Figure 41. SPI timing diagram in slave mode and with CPHA = 1



1. Measurement points are at CMOS levels: 0.3 V_{DD} and 0.7 V_{DD}.

Figure 42. SPI timing diagram - master mode



1. Measurement points are at CMOS levels: $0.3 V_{DD}$ and $0.7 V_{DD}$.

11.3.9 I²C interface characteristicsTable 55. I²C characteristics

Symbol	Parameter	Standard mode I ² C		Fast mode I ² C ⁽¹⁾		Unit
		Min ⁽²⁾	Max ⁽²⁾	Min ⁽²⁾	Max ⁽²⁾	
t _{w(SCLL)}	SCL clock low time	4.7	—	1.3	—	μs
t _{w(SCLH)}	SCL clock high time	4.0	—	0.6	—	
t _{su(SDA)}	SDA setup time	250	—	100	—	ns
t _{h(SDA)}	SDA data hold time	0 ⁽³⁾	—	0 ⁽⁴⁾	900 ⁽³⁾	
t _{r(SDA)} t _{r(SCL)}	SDA and SCL rise time (V _{DD} 3 V to 5.5 V)	—	1000	—	300	
t _{f(SDA)} t _{f(SCL)}	SDA and SCL fall time (V _{DD} 3 V to 5.5 V)	—	300	—	300	
t _{h(STA)}	START condition hold time	4.0	—	0.6	—	μs
t _{su(STA)}	Repeated START condition setup time	4.7	—	0.6	—	
t _{su(STO)}	STOP condition setup time	4.0	—	0.6	—	μs
t _{w(STO:STA)}	STOP to START condition time (bus free)	4.7	—	1.3	—	μs
C _b	Capacitive load for each bus line	—	400	—	400	pF

1. f_{MASTER} must be at least 8 MHz to achieve max fast I²C speed (400 kHz)
2. Data based on standard I²C protocol requirement, not tested in production
3. The maximum hold time of the start condition has only to be met if the interface does not stretch the low time
4. The device must internally provide a hold time of at least 300 ns for the SDA signal in order to bridge the undefined region of the falling edge of SCL

11.3.10 10-bit ADC characteristics

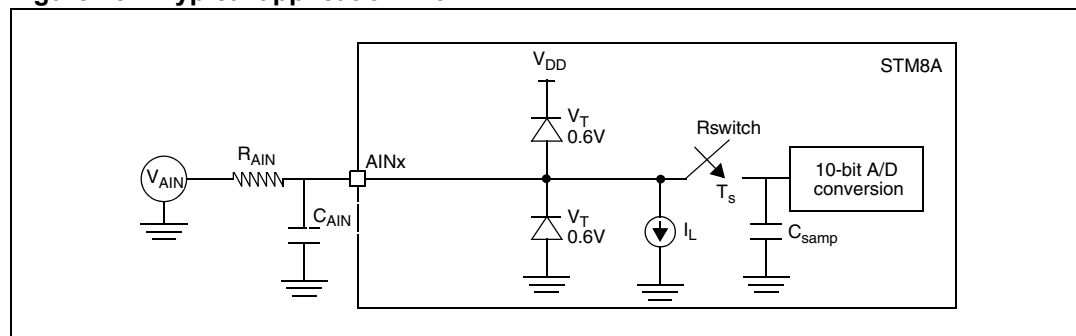
Subject to general operating conditions for V_{DDA} , f_{MASTER} and T_A unless otherwise specified.

Table 56. ADC characteristics

Symbol	Parameter	Conditions	Min	Typ	Max	Unit
f_{ADC}	ADC clock frequency	—	111 kHz	—	4 MHz	kHz/MHz
V_{DDA}	Analog supply	—	3	—	5.5	V
V_{REF+}	Positive reference voltage	—	2.75	—	V_{DDA}	
V_{REF-}	Negative reference voltage	—	V_{SSA}	—	0.5	
V_{AIN}	Conversion voltage range ⁽¹⁾	—	V_{SSA}	—	V_{DDA}	
		Devices with external V_{REF+}/V_{REF-} pins	V_{REF-}	—	V_{REF+}	
C_{smp}	Internal sample and hold capacitor	—	—	—	3	pF
$t_S^{(1)}$	Sampling time ($3 \times 1/f_{ADC}$)	$f_{ADC} = 2$ MHz	—	1.5	—	μ s
		$f_{ADC} = 4$ MHz	—	0.75	—	
t_{STAB}	Wakeup time from standby	$f_{ADC} = 2$ MHz	—	7	—	
		$f_{ADC} = 4$ MHz	—	3.5	—	
t_{CONV}	Total conversion time including sampling time ($14 \times 1/f_{ADC}$)	$f_{ADC} = 2$ MHz	—	7	—	
		$f_{ADC} = 4$ MHz	—	3.5	—	
R_{switch}	Equivalent switch resistance	—	—	—	30	k Ω

1. During the sample time, the sampling capacitance, C_{smp} (3 pF typ), can be charged/discharged by the external source. The internal resistance of the analog source must allow the capacitance to reach its final voltage level within t_S . After the end of the sample time t_S , changes of the analog input voltage have no effect on the conversion result.

Figure 43. Typical application with ADC



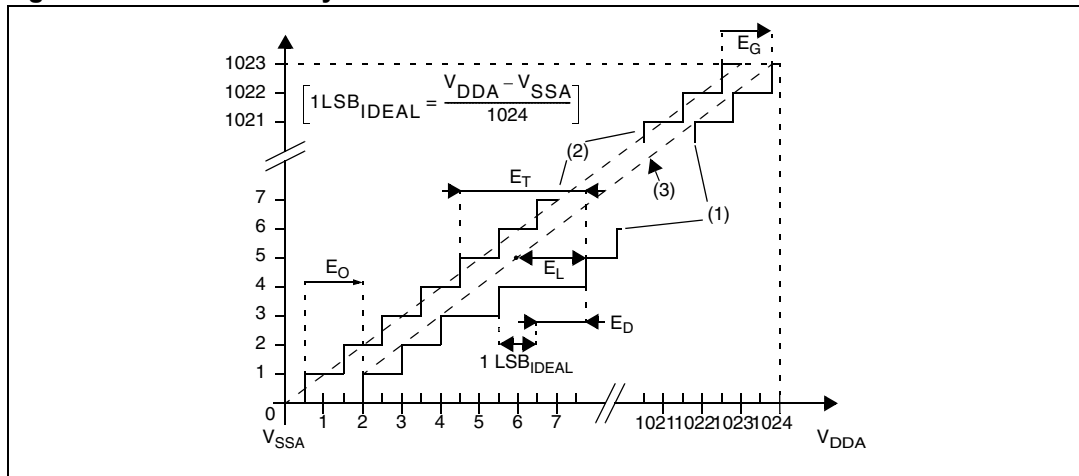
1. Legend: R_{AIN} = external resistance, C_{AIN} = capacitors, C_{smp} = internal sample and hold capacitor.

Table 57. ADC accuracy for $V_{DDA} = 5\text{ V}$

Symbol	Parameter	Conditions	Typ	Max ⁽¹⁾	Unit
$ E_T $	Total unadjusted error ⁽²⁾	$f_{ADC} = 2\text{ MHz}$	1.4	3 ⁽³⁾	LSB
$ E_O $	Offset error ⁽²⁾		0.8	3	
$ E_G $	Gain error ⁽²⁾		0.1	2	
$ E_D $	Differential linearity error ⁽²⁾		0.9	1	
$ E_L $	Integral linearity error ⁽²⁾		0.7	1.5	
$ E_T $	Total unadjusted error ⁽²⁾	$f_{ADC} = 4\text{ MHz}$	1.9 ⁽⁴⁾	4 ⁽⁴⁾	
$ E_O $	Offset error ⁽²⁾		1.3 ⁽⁴⁾	4 ⁽⁴⁾	
$ E_G $	Gain error ⁽²⁾		0.6 ⁽⁴⁾	3 ⁽⁴⁾	
$ E_D $	Differential linearity error ⁽²⁾		1.5 ⁽⁴⁾	2 ⁽⁴⁾	
$ E_L $	Integral linearity error ⁽²⁾		1.2 ⁽⁴⁾	1.5 ⁽⁴⁾	

1. Max value is based on characterization, not tested in production.
2. ADC accuracy vs. injection current: Any positive or negative injection current within the limits specified for $I_{INJ(PIN)}$ and $\Sigma I_{INJ(PIN)}$ in Section 11.3.5 does not affect the ADC accuracy.
3. TUE 2LSB can be reached on specific salestypes in the whole temperature range.
4. Target values.

Figure 44. ADC accuracy characteristics



1. Example of an actual transfer curve
 2. The ideal transfer curve
 3. End point correlation line
- E_T = Total unadjusted error: Maximum deviation between the actual and the ideal transfer curves.
 E_O = Offset error: Deviation between the first actual transition and the first ideal one.
 E_G = Gain error: Deviation between the last ideal transition and the last actual one.
 E_D = Differential linearity error: Maximum deviation between actual steps and the ideal one.
 E_L = Integral linearity error: Maximum deviation between any actual transition and the end point correlation line.

11.3.11 EMC characteristics

Susceptibility tests are performed on a sample basis during product characterization.

Functional EMS (electromagnetic susceptibility)

While executing a simple application (toggling 2 LEDs through I/O ports), the product is stressed by two electromagnetic events until a failure occurs (indicated by the LEDs).

- **ESD:** Electrostatic discharge (positive and negative) is applied on all pins of the device until a functional disturbance occurs. This test conforms with the IEC 1000-4-2 standard.
- **FTB:** A burst of fast transient voltage (positive and negative) is applied to V_{DD} and V_{SS} through a 100 pF capacitor, until a functional disturbance occurs. This test conforms with the IEC 1000-4-4 standard.

A device reset allows normal operations to be resumed. The test results are given in the table below based on the EMS levels and classes defined in application note AN1709.

Designing hardened software to avoid noise problems

EMC characterization and optimization are performed at component level with a typical application environment and simplified MCU software. It should be noted that good EMC performance is highly dependent on the user application and the software in particular.

Therefore it is recommended that the user applies EMC software optimization and prequalification tests in relation with the EMC level requested for his application.

Software recommendations

The software flowchart must include the management of runaway conditions such as:

- Corrupted program counter
- Unexpected reset
- Critical data corruption (control registers...)

Prequalification trials

Most of the common failures (unexpected reset and program counter corruption) can be recovered by applying a low state on the NRST pin or the oscillator pins for 1 second.

To complete these trials, ESD stress can be applied directly on the device, over the range of specification values. When unexpected behavior is detected, the software can be hardened to prevent unrecoverable errors occurring (see application note AN1015).

Table 58. EMS data

Symbol	Parameter	Conditions	Level/class
V_{FESD}	Voltage limits to be applied on any I/O pin to induce a functional disturbance	$V_{DD} = 3.3\text{ V}$, $T_A = 25\text{ °C}$, $f_{MASTER} = 16\text{ MHz}$ (HSI clock), Conforms to IEC 1000-4-2	3B
V_{EFTB}	Fast transient voltage burst limits to be applied through 100 pF on V_{DD} and V_{SS} pins to induce a functional disturbance	$V_{DD} = 3.3\text{ V}$, $T_A = 25\text{ °C}$, $f_{MASTER} = 16\text{ MHz}$ (HSI clock), Conforms to IEC 1000-4-4	4A

Electromagnetic interference (EMI)

Emission tests conform to the SAE J 1752/3 standard for test software, board layout and pin loading.

Table 59. EMI data

Symbol	Parameter	Conditions					Unit
		General conditions	Monitored frequency band	Max f _{CPU} ⁽¹⁾			
				8 MHz	16 MHz	24 MHz	
S _{EMI}	Peak level	V _{DD} = 5 V, T _A = 25 °C, LQFP80 package conforming to SAE J 1752/3	0.1 MHz to 30 MHz	15	17	22	dBμV
			30 MHz to 130 MHz	18	22	16	
			130 MHz to 1 GHz	-1	3	5	
	SAE EMI level	—	2	2.5	2.5		

1. Data based on characterization results, not tested in production.

Absolute maximum ratings (electrical sensitivity)

Based on two different tests (ESD and LU) using specific measurement methods, the product is stressed to determine its performance in terms of electrical sensitivity. For more details, refer to the application note AN1181.

Electrostatic discharge (ESD)

Electrostatic discharges (3 positive then 3 negative pulses separated by 1 second) are applied to the pins of each sample according to each pin combination. The sample size depends on the number of supply pins in the device (3 parts*(n+1) supply pin). This test conforms to the JESD22-A114A/A115A standard. For more details, refer to the application note AN1181.

Table 60. ESD absolute maximum ratings

Symbol	Ratings	Conditions	Class	Maximum value ⁽¹⁾	Unit
V _{ESD(HBM)}	Electrostatic discharge voltage (human body model)	T _A = 25 °C, conforming to JESD22-A114	3A	4000	V
V _{ESD(CDM)}	Electrostatic discharge voltage (charge device model)	T _A = 25 °C, conforming to JESD22-C101	3	500	
V _{ESD(MM)}	Electrostatic discharge voltage (machine model)	T _A = 25 °C, conforming to JESD22-A115	B	200	

1. Data based on characterization results, not tested in production

Static latch-up

Two complementary static tests are required on 10 parts to assess the latch-up performance.

- A supply overvoltage (applied to each power supply pin) and
- A current injection (applied to each input, output and configurable I/O pin) are performed on each sample.

This test conforms to the EIA/JESD 78 IC latch-up standard. For more details, refer to the application note AN1181.

Table 61. Electrical sensitivities

Symbol	Parameter	Conditions	Class ⁽¹⁾
LU	Static latch-up class	$T_A = 25\text{ °C}$	A
		$T_A = 85\text{ °C}$	
		$T_A = 125\text{ °C}$	
		$T_A = 145\text{ °C}$	

1. Class description: A Class is an STMicroelectronics internal specification. All its limits are higher than the JEDEC specifications, that means when a device belongs to class A it exceeds the JEDEC standard. B class strictly covers all the JEDEC criteria (international standard).

11.4 Thermal characteristics

In case the maximum chip junction temperature (T_{Jmax}) specified in [Table 37: General operating conditions on page 69](#) is exceeded, the functionality of the device cannot be guaranteed.

T_{Jmax} , in degrees Celsius, may be calculated using the following equation:

Equation 3

$$T_{Jmax} = T_{Amax} + (P_{Dmax} \times \Theta_{JA})$$

where:

T_{Amax} is the maximum ambient temperature in °C

Θ_{JA} is the package junction-to-ambient thermal resistance in °C/W

P_{Dmax} is the sum of P_{INTmax} and $P_{I/Omax}$ ($P_{Dmax} = P_{INTmax} + P_{I/Omax}$)

P_{INTmax} is the product of I_{DD} and V_{DD} , expressed in Watts. This is the maximum chip internal power.

$P_{I/Omax}$ represents the maximum power dissipation on output pins

where:

Equation 4

$$P_{I/Omax} = \Sigma (V_{OL} * I_{OL}) + \Sigma ((V_{DD} - V_{OH}) * I_{OH})$$

taking into account the actual V_{OL} / I_{OL} and V_{OH} / I_{OH} of the I/Os at low- and high-level in the application.

Table 62. Thermal characteristics⁽¹⁾

Symbol	Parameter	Value	Unit
Θ_{JA}	Thermal resistance junction-ambient LQFP 80 - 14 x 14 mm	38	°C/W
Θ_{JA}	Thermal resistance junction-ambient LQFP 64 - 10 x 10 mm	46	°C/W
Θ_{JA}	Thermal resistance junction-ambient LQFP 48 - 7 x 7 mm	57	°C/W
Θ_{JA}	Thermal resistance junction-ambient LQFP 32 - 7 x 7 mm	59	°C/W

1. Thermal resistances are based on JEDEC JESD51-2 with 4-layer PCB in a natural convection environment.

11.4.1 Reference document

JESD51-2 integrated circuits thermal test method environment conditions - natural convection (still air). Available from www.jedec.org.

11.4.2 Selecting the product temperature range

When ordering the microcontroller, the temperature range is specified in the order code (see [Figure 49: STM8A order codes on page 103](#)).

The following example shows how to calculate the temperature range needed for a given application.

Assuming the following application conditions:

- Maximum ambient temperature $T_{Amax} = 82\text{ °C}$ (measured according to JESD51-2)
- $I_{DDmax} = 8\text{ mA}$
- $V_{DD} = 5\text{ V}$
- maximum 20 I/Os used at the same time in output at low-level with $I_{OL} = 8\text{ mA}$
- $V_{OL} = 0.4\text{ V}$

Equation 5

$$P_{INTmax} = 8\text{ mA} \times 5\text{ V} = 400\text{ mW}$$

Equation 6

$$P_{IOmax} = 20 \times 8\text{ mA} \times 0.4\text{ V} = 64\text{ mW}$$

This gives:

$$P_{INTmax} = 400\text{ mW} \text{ and } P_{IOmax} = 64\text{ mW}$$

Equation 7

$$P_{Dmax} = 400\text{ mW} + 64\text{ mW}$$

Thus:

$$P_{Dmax} = 464\text{ mW}$$

Using the values obtained in [Table 62: Thermal characteristics on page 96](#) T_{Jmax} is calculated as follows:

$$\text{For LQFP64 } 46\text{ °C/W}$$

Equation 8

$$T_{jmax} = 82\text{ °C} + (46\text{ °C/W} \times 464\text{ mW}) = 82\text{ °C} + 21\text{ °C} = 103\text{ °C}$$

This is within the range of the suffix B version parts ($-40\text{ °C} < T_j < 105\text{ °C}$).

Parts must be ordered at least with the temperature range suffix B.

12 Package characteristics

12.1 ECOPACK®

In order to meet environmental requirements, ST offers these devices in different grades of ECOPACK® packages, depending on their level of environmental compliance. ECOPACK® specifications, grade definitions and product status are available at: www.st.com. ECOPACK® is an ST trademark.

12.2 Package mechanical data

Figure 45. 80-pin low profile quad flat package (14 x 14)

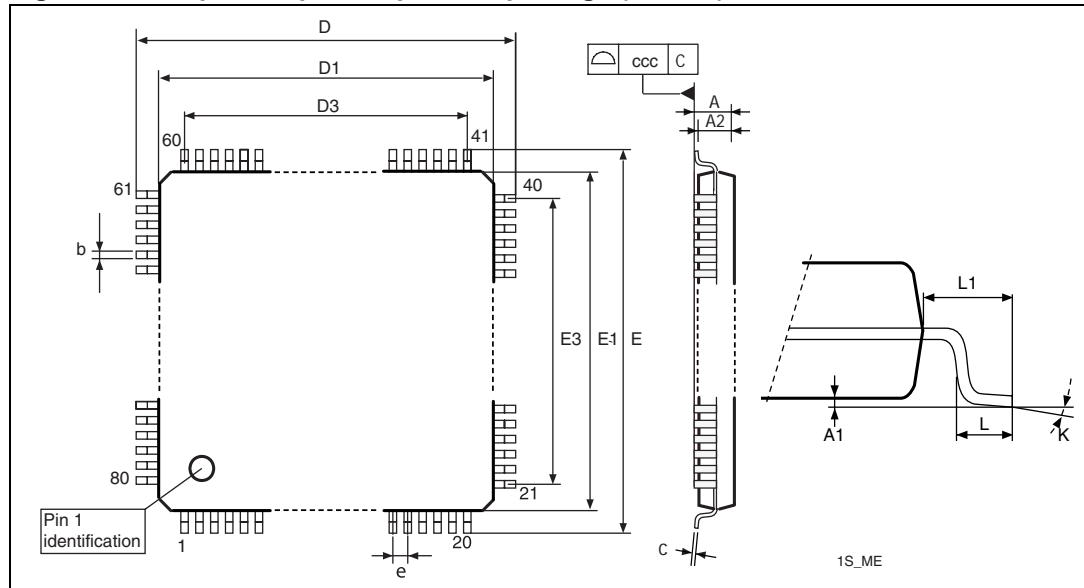


Table 63. 80-pin low profile quad flat package mechanical data

Dim.	mm			inches ⁽¹⁾		
	Min	Typ	Max	Min	Typ	Max
A	—	—	1.60	—	—	0.0630
A1	0.05	—	0.15	0.0020	—	0.0060
A2	1.35	1.40	1.45	0.0531	0.0551	0.0571
b	0.22	0.32	0.38	0.0087	0.0126	0.0150
c	0.09	—	0.20	0.0035	—	0.0079
D	15.80	16.00	16.20	0.6220	0.6299	0.6378
D1	13.80	14.00	14.20	0.5433	0.5512	0.5591
D3	—	12.35	—	—	0.4862	—
E	15.80	16.00	16.20	0.6220	0.6299	0.6378
E1	13.80	14.00	14.20	0.5433	0.5512	0.5591
E3	—	12.35	—	—	0.4862	—
e	—	0.65	—	—	0.0256	—
L	0.45	0.60	0.75	0.0177	0.0236	0.0295
L1	—	1.00	—	—	0.0394	—
ccc	—	—	0.10	—	—	0.0039
k	0°	3.5°	7°	0°	3.5°	7°

1. Values in inches are converted from mm and rounded to 4 decimal digits

Figure 46. 64-pin low profile quad flat package (10 x 10)

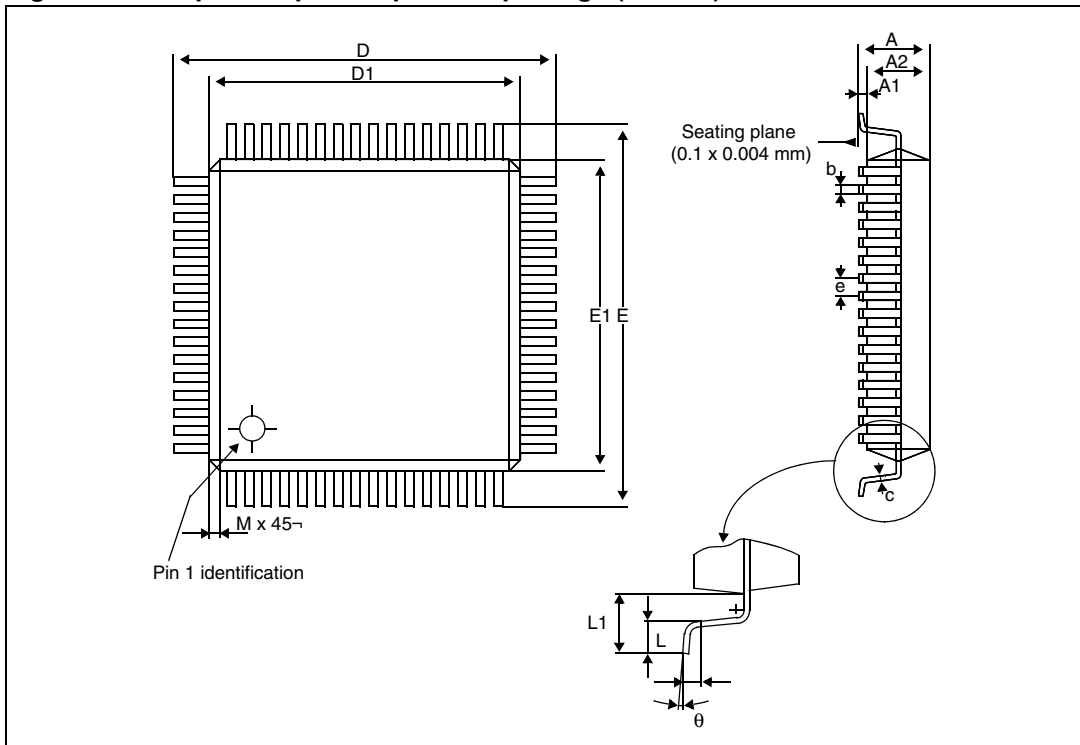


Table 64. 64-pin low profile quad flat package mechanical data

Dim.	mm			inches ⁽¹⁾		
	Min	Typ	Max	Min	Typ	Max
A	—	—	1.60	—	—	0.0630
A1	0.05	—	0.15	0.0020	—	0.0059
A2	1.35	1.40	1.45	0.0531	0.0551	0.0571
b	0.17	0.22	0.27	0.0067	0.0087	0.0106
c	0.09	—	0.20	0.0035	—	0.0079
D	—	12.00	—	—	0.4724	—
D1	—	10.00	—	—	0.3937	—
E	—	12.00	—	—	0.4724	—
E1	—	10.00	—	—	0.3937	—
e	—	0.50	—	—	0.0197	—
θ	0°	3.5°	7°	0°	3.5°	7°
L	0.45	0.60	0.75	0.0177	0.0236	0.0295
L1	—	1.00	—	—	0.0394	—

1. Values in inches are converted from mm and rounded to 4 decimal digits

Figure 47. 48-pin low profile quad flat package (7 x 7)

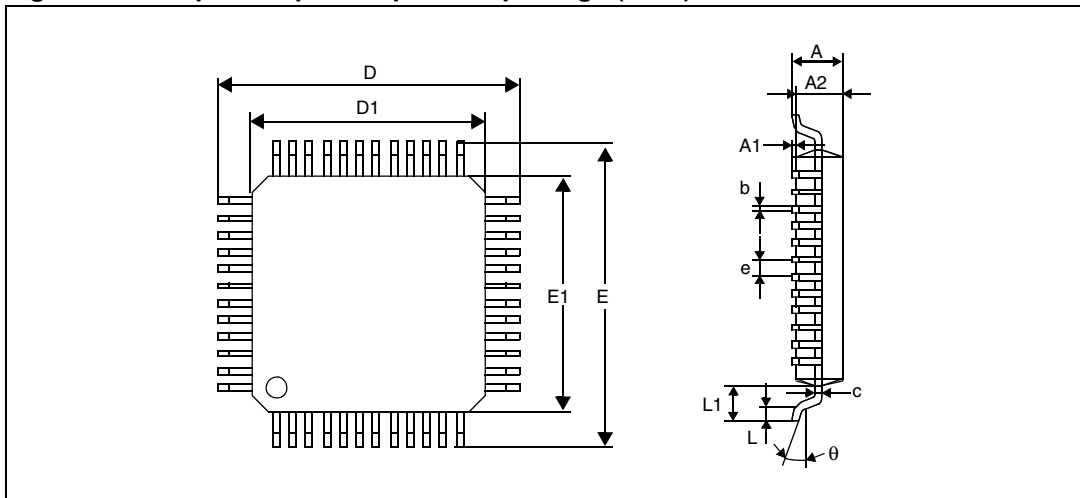


Table 65. 48-pin low profile quad flat package mechanical data

Dim.	mm			inches ⁽¹⁾		
	Min	Typ	Max	Min	Typ	Max
A	—	—	1.60	—	—	0.0630
A1	0.05	—	0.15	0.0020	—	0.0059
A2	1.35	1.40	1.45	0.0531	0.0551	0.0571
b	0.17	0.22	0.27	0.0067	0.0087	0.0106
c	0.09	—	0.20	0.0035	—	0.0079
D	—	9.00	—	—	0.3543	—
D1	—	7.00	—	—	0.2756	—
E	—	9.00	—	—	0.3543	—
E1	—	7.00	—	—	0.2756	—
e	—	0.50	—	—	0.0197	—
θ	0°	3.5°	7°	0°	3.5°	7°
L	0.45	0.60	0.75	0.0177	0.0236	0.0295
L1	—	1.00	—	—	0.0394	—

1. Values in inches are converted from mm and rounded to 4 decimal digits

Figure 48. 32-pin low profile quad flat package (7 x 7)

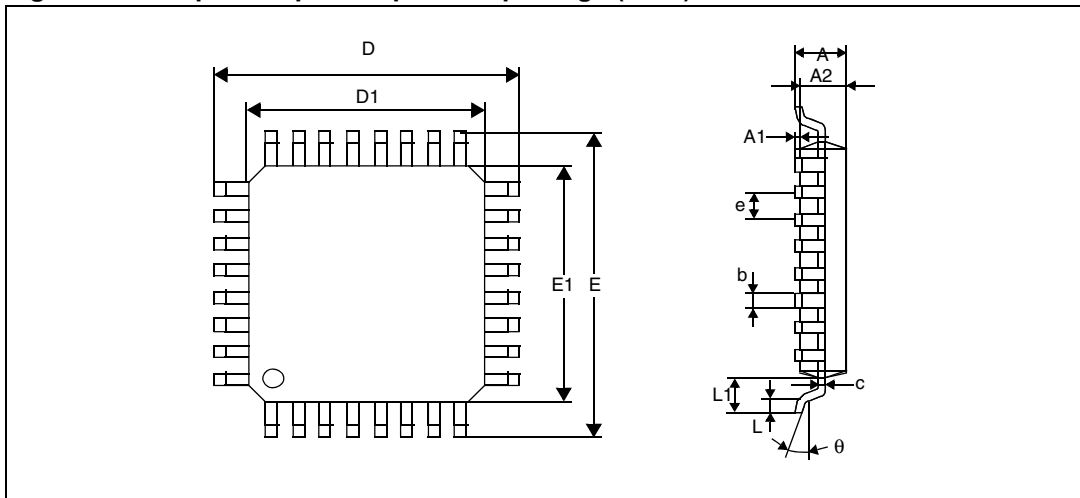


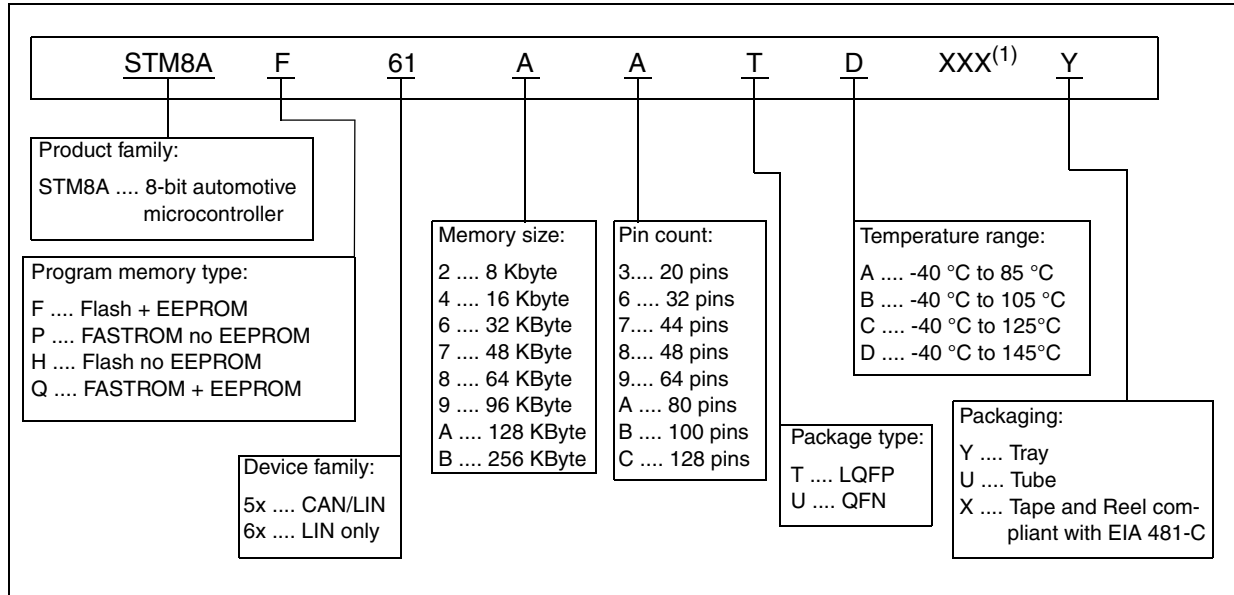
Table 66. 32-pin low profile quad flat package mechanical data

Dim.	mm			inches ⁽¹⁾		
	Min	Typ	Max	Min	Typ	Max
A	—	—	1.60	—	—	0.0630
A1	0.05	—	0.15	0.0020	—	0.0059
A2	1.35	1.40	1.45	0.0531	0.0551	0.0571
b	0.30	0.37	0.45	0.0118	0.0146	0.0177
c	0.09	—	0.20	0.0035	—	0.0079
D	—	9.00	—	—	0.3543	—
D1	—	7.00	—	—	0.2756	—
E	—	9.00	—	—	0.3543	—
E1	—	7.00	—	—	0.2756	—
e	—	0.80	—	—	0.0315	—
θ	0°	3.5°	7°	0°	3.5°	7°
L	0.45	0.60	0.75	0.0177	0.0236	0.0295
L1	—	1.00	—	—	0.0394	—

1. Values in inches are converted from mm and rounded to 4 decimal digits

13 Ordering information

Figure 49. STM8A order codes



1. Customer specific FASTROM code or custom device configuration. This field shows 'SSS' if the device contains a super set silicon, usually equipped with bigger memory and more I/Os. This silicon is supposed to be replaced later by the target silicon.

14 Known limitations

14.1 Wait for event (WFE) instruction

The WFE instruction is not implemented in devices covered by this datasheet. This instruction stops the CPU clock, in low-power mode, until the event input is activated. Internal peripherals continue to run. The WFE instruction is used to synchronize computing resources. For further details on this instruction, see the STM8 CPU programming manual (PM0044) on www.st.com.

14.2 JRIL and JRIH instructions

JRIL (jump if port INT pin = 0) and JRIH (jump if port INT pin = 1) are not supported in devices covered by this datasheet. If implemented, they are conditional jumps: JRIL jumps if one of the external interrupt lines is low and JRIH jumps if one of the external interrupt lines is high. In these devices, JRIL is equivalent to an unconditional jump and JRIH is equivalent to NOP. For further details on these instructions, see the STM8 CPU programming manual (PM0044) on www.st.com.

15 STM8 development tools

Development tools for the STM8A microcontrollers include the

- STice emulation system offering tracing and code profiling
- STVD high-level language debugger including assembler and visual development environment - seamless integration of third party C compilers
- STVP Flash programming software

In addition, the STM8A comes with starter kits, evaluation boards and low-cost in-circuit debugging/programming tools.

15.1 Emulation and in-circuit debugging tools

The STM8 tool line includes the STice emulation system offering a complete range of emulation and in-circuit debugging features on a platform that is designed for versatility and cost-effectiveness. In addition, STM8A application development is supported by a low-cost in-circuit debugger/programmer.

The STice is the fourth generation of full-featured emulators from STMicroelectronics. It offers new advanced debugging capabilities including tracing, profiling and code coverage analysis to help detect execution bottlenecks and dead code.

In addition, STice offers in-circuit debugging and programming of STM8A microcontrollers via the STM8 single wire interface module (SWIM), which allows non-intrusive debugging of an application while it runs on the target microcontroller.

For improved cost effectiveness, STice is based on a modular design that allows you to order exactly what you need to meet your development requirements and to adapt your emulation system to support existing and future ST microcontrollers.

15.1.1 STice key features

- Program and data trace recording up to 128 K records
- Advanced breakpoints with up to 4 levels of conditions
- Data breakpoints
- Real-time read/write of all device resources during emulation
- Occurrence and time profiling and code coverage analysis (new features)
- In-circuit debugging/programming via SWIM protocol
- 8-bit probe analyzer
- 1 input and 2 output triggers
- USB 2.0 high-speed interface to host PC
- Power supply follower managing application voltages between 1.62 to 5.5 V
- Modularity that allows you to specify the components you need to meet your development requirements and adapt to future requirements
- Supported by free software tools that include integrated development environment (IDE), programming software interface and assembler for STM8.

15.2 Software tools

STM8 development tools are supported by a complete, free software package from STMicroelectronics that includes ST visual develop (STVD) IDE and the ST visual programmer (STVP) software interface. STVD provides seamless integration of the Cosmic C compiler for STM8, which is available in a free version that outputs up to 16 Kbytes of code.

15.2.1 STM8 toolset

The STM8 toolset with STVD integrated development environment and STVP programming software is available for free download at www.st.com/mcu. This package includes:

ST visual develop

Full-featured integrated development environment from STMicroelectronics, featuring:

- Seamless integration of C and ASM toolsets
- Full-featured debugger
- Project management
- Syntax highlighting editor
- Integrated programming interface
- Support of advanced emulation features for STIce such as code profiling and coverage

ST visual programmer (STVP)

Easy-to-use, unlimited graphical interface allowing read, write and verification of the STM8A microcontroller's Flash memory. STVP also offers project mode for saving programming configurations and automating programming sequences.

15.2.2 C and assembly toolchains

Control of C and assembly toolchains is seamlessly integrated into the STVD integrated development environment, making it possible to configure and control the building of your application directly from an easy-to-use graphical interface. Available toolchains include:

C compiler for STM8

Available in a free version that outputs up to 16 Kbytes of code. For more information, see www.cosmic-software.com, www.raisonance.com

STM8 assembler linker

Free assembly toolchain included in the STM8 toolset, which allows you to assemble and link your application source code.

15.3 Programming tools

During the development cycle, STice provides in-circuit programming of the STM8A Flash microcontroller on your application board via the SWIM protocol. Additional tools are to include a low-cost in-circuit programmer as well as ST socket boards, which provide dedicated programming platforms with sockets for programming your STM8A.

For production environments, programmers will include a complete range of gang and automated programming solutions from third-party tool developers already supplying programmers for the STM8 family.

16 Revision history

Table 67. Document revision history

Date	Revision	Changes
31-Jan-2008	Rev 1	Initial release
22-Aug-2008	Rev 2	<p>Added 'H' products to the datasheet (Flash no EEPROM). <i>Features on page 1</i>: Updated <i>Memories</i>, <i>Reset and supply management</i>, <i>Communication interfaces</i> and <i>I/Os</i>; reduced wakeup pins by 1. <i>Table 1</i>: Removed STM8AF6168, STM8AF6148, STM8AF6166, STM8AF6146, STM8AF5168, STM8AF5186, STM8AF5176, and STM8AF5166. <i>Section 1</i>, <i>Section 5</i>, <i>Section 6.2.1</i>, <i>Table 33</i>, and <i>Section 10</i>: Updated reference documentation: RM0009, PM0047, and UM0470. <i>Section 2</i>: Added information about peak performance. <i>Section 3</i>: Removed <i>STM8A common features</i> table. <i>Table 2</i>: Removed STM8AF5186T, STM8AF5176T, STM8AF5168T, and STM8AF5166T. <i>Table 3</i>: Removed STM8AF6168T, STM8AF6166T, STM8AF6148T, and STM8AF6146T. <i>Section 5</i>: Made minor content changes and improved readability and layout. <i>Section 5.4.3</i>: Major modification, TMU included. <i>Section 5.4.2</i>: User trimming updated. <i>Section 5.4.3</i>: LSI as CPU clock added. <i>Section 5.4.4</i>, <i>Section 5.4.5</i>: Maximum frequency conditional 32 Kbyte/128 Kbyte. <i>Section 5.10</i>: Scan for 128 Kbyte removed. <i>Section 5.9</i>, <i>Section 5.9.1</i>: SPI 10 Mb/s. <i>Figure 3</i>, <i>Figure 4</i>, and <i>Figure 5</i>: Amended footnote 1. <i>Table 6</i>: HS output changed from 20 mA to 8 mA. <i>Section 7</i>: Corrected <i>Figure 7: Register and memory map</i>; removed address list; added <i>Table 8</i>. <i>Section 11.3.1</i> Note on typical/WC values added. <i>Table 15</i>: Replaced the source blocks 'simple USART', 'very low-end timer (timer 4)', and 'EEPROM' with 'LINUART', 'timer4' and 'reserved' respectively, added TMU registers. <i>Table 32</i>: Updated OPT6 and NOPT6, added OPT7 to 17 (TMU, BL) <i>Table 33</i>: Updated OPT1 UBC[7:0], OPT4 CKAWUSEL, OPT4 PRSC [1:0], and OPT6, added OPT7 to 16 (TMU). <i>Table 35</i>: Amended footnotes. <i>Table 37</i>: Added parameter 'voltage and current operating conditions'. <i>Table 38</i>: Amended footnotes. <i>Table 39</i>: Replaced. <i>Table 40</i>: Amended maximum data and footnotes. <i>Table 21</i>: Replaced. <i>Table 22</i>: Added and amended I_{DD(RUN)} data; amended I_{DD(WFI)} data; amended footnotes. <i>Table 43</i>: Filled in, amended maximum data and footnotes. <i>Figure 13</i> to <i>Figure 18</i>: info on peripheral activity added. <i>Table 44</i>: Modified f_{HSE_ext} data and added V_{HSEdhl} data.</p>

Table 67. Document revision history (continued)

Date	Revision	Changes
22-Aug-2008	Rev 2 cont'd	<p>Table 46: Removed ACC_{HSI} parameters and replaced with ACC_{HS} parameters; amended data and footnotes. Amended data of 'RAM and hardware registers' table.</p> <p>Table 48: Updated names and data of N_{RW} and t_{RET} parameters.</p> <p>Table 51: Added V_{OH} and V_{OL} parameters; Updated I_{Ikg ana} parameter.</p> <p>Removed: Output driving current (standard ports), Output driving current (true open drain ports), and Output driving current (high sink ports).</p> <p>Table 56: Updated f_{ADC}, t_S, and t_{CONV} data.</p> <p>ADC accuracy for V_{DDA} = 3.3 V table: Removed the 4-MHz condition from all parameters.</p> <p>Table 57: Removed the 4-MHz condition from all parameters; updated footnote 1 and removed footnote 2.</p> <p>Table 61: Added data for T_A = 145 °C.</p> <p>Figure 49: Updated memory size, pin count and package type information.</p>
16-Sep-2008	Rev 3	<p>Replaced the salestype 'STM8H61xx' with 'STM8AH61xx on the first page.</p> <p>Added 'part numbers' to heading rows of Table 1: Device summary.</p> <p>Updated the 80-pin package silhouette on page 1 in line with POA 0062342-revD.</p> <p>Table 15: Renamed 'TMU key registers 0-7 [7:0]' as 'TMU key registers 1-8 [7:0]'</p> <p>Section 10: Updated introductory text concerning option bytes which do not need to be saved in a complementary form.</p> <p>Table 15: Renamed the option bits 'TMU[0:3]', 'NTMU[0:3]', and 'TMU_KEY 0-7 [7:0]' as 'TMU[3:0]', 'NTMU[3:0]', and 'TMU_KEY 1-8 [7:0]' respectively.</p> <p>Table 33: Updated values of option byte 5 (HSECNT[7:0]); inversed the description of option byte 6 (TMU[3:0]); renamed option bytes 8 to 15 'TMU_KEY 0-7 [7:0]', as 'TMU_KEY 1-8 [7:0]'. Updated 80-pin package information in line with POA 0062342-revD in Figure 45 and Table 63.</p>

Table 67. Document revision history (continued)

Date	Revision	Changes
01-Jul-2009	Rev 4	<p>Added 'STM8AH61xx' and 'STM8AH51xx' to document header.</p> <p>Updated Features on page 1 (memories, timers, operating temperature, ADC and I/Os).</p> <p>Updated Table 1: Device summary</p> <p>Updated Kbytes value of program memory in Chapter 1: Introduction Chapter 2: Description</p> <ul style="list-style-type: none"> – Changed the first two lines from the top. <p>Updated Figure 1: STM8A block diagram</p> <p>Updated Chapter 5: Product features</p> <p>In Figure 5: LQFP 48-pin pinout, added USART function to pins 10, 11, and 12; added CAN Tx and CAN Rx functions to pins 35 and 36 respectively.</p> <p>Section 6.2: Pin description</p> <ul style="list-style-type: none"> – Deleted text below the Table 6: Legend/abbreviation for Table 7 – Deleted text below the Table 7: STM8A microcontroller family pin description – 68th, 69th pin (LQFP80): replaced X with a dash for PP output – Added a tablefootnote <p>Updated Figure 7: Register and memory map</p> <p>Table 8: Memory model 128K</p> <ul style="list-style-type: none"> – Updated footnote <p>Deleted the table "Stack and RAM partitioning"</p> <p>Table 9: STM8A interrupt table.</p> <ul style="list-style-type: none"> – Updated priorities 13, 15, 17, 20 and 24 – Changed tablefootnote <p>Updated Chapter 9: Memory map</p> <p>Updated Table 50: Data memory, Table 51: I/O static characteristics, and Table 52: NRST pin characteristics.</p> <p>Section 11.1.1: Minimum and maximum values.</p> <ul style="list-style-type: none"> – Added ambient temperature $T_A = -40\text{ °C}$ <p>Updated Table 34: Voltage characteristics</p> <p>Updated Table 35: Current characteristics</p> <p>Updated Table 36: Thermal characteristics</p> <p>Updated Table 37: General operating conditions</p> <p>Updated Table 38: Operating conditions at power-up/power-down.</p> <p>Figure 12: f_{CPUmax} versus V_{DD}.</p> <ul style="list-style-type: none"> – Updated temperature ranges in functional area – Added a figurefootnote <p>Removed 'total current consumption' and 'note on the run-current typical values'.</p> <p>Replaced Table 39: Total current consumption in run, wait and slow mode. General conditions for V_{DD} apply. $T_A = -40\text{ °C}$ to 145 °C</p> <p>Replaced Table 40: Total current consumption in halt and active halt modes. General conditions for V_{DD} apply. $T_A = -40\text{ °C}$ to 55 °C unless otherwise stated.</p> <p>Removed Table 21: Total current consumption in run, wait and slow mode. General conditions for V_{DD} apply. $T_A = -40\text{ °C}$ to 145 °C</p>

Table 67. Document revision history (continued)

Date	Revision	Changes
01-Jul-2009	Rev 4	<p>Removed Table 22: Total current consumption and timing in halt, fast active halt and slow active halt modes at $V_{DD} = 3.3 V$.</p> <p>Added Table 41: Oscillator current consumption</p> <p>Added Table 42: Programming current consumption.</p> <p>Updated Table 43: Typical peripheral current consumption $V_{DD} = 5.0 V$</p> <p>Changed Section : HSE external clock title from “HSE user external clock”</p> <p>Updated Table 44: HSE external clock characteristics</p> <p>Updated Table 45: HSE oscillator characteristics.</p> <p>Figure 20: HSE oscillator circuit diagram.</p> <ul style="list-style-type: none"> – Changed ‘consumption control’ to ‘current control’ <p>HSE oscillator critical gm formula.</p> <ul style="list-style-type: none"> – Clarified formula <p>Updated Table 46: HSI oscillator characteristics.</p> <p>Removed ‘RAM and hardware registers’</p> <p>Removed Table 29: RAM and hardware registers.</p> <p>Updated Table 48: Flash program memory/data EEPROM memory.</p> <p>Added Table 49: Program memory</p> <p>Added Table 50: Data memory.</p> <p>Updated Table 51: I/O static characteristics</p> <p>Updated Table 52: NRST pin characteristics</p> <p>Updated Table 53: TIM 1, 2, 3, and 4 electrical specifications</p> <p>Section 11.3.8: SPI interface</p> <p>Changed title from “SPI serial peripheral interface”</p> <p>Updated Table 54: SPI characteristics.</p> <p>Figure 40: SPI timing diagram in slave mode and with $CPHA = 0$</p> <ul style="list-style-type: none"> – Changed title – Added footnote 1. <p>Figure 41: SPI timing diagram in slave mode and with $CPHA = 1$</p> <ul style="list-style-type: none"> – Changed title <p>Updated Table 56: ADC characteristics.</p> <p>Updated Figure 43: Typical application with ADC and added legend.</p> <p>Removed Table 36: ADC accuracy for $V_{DDA} = 3.3 V$</p> <p>Updated Table 57: ADC accuracy for $V_{DDA} = 5 V$</p> <p>Updated Table 59: EMI data</p> <p>Updated Table 61: Electrical sensitivities</p> <p>Added Section 12.1: ECOPACK®.</p> <p>Figure 46: 64-pin low profile quad flat package (10 x 10)</p> <ul style="list-style-type: none"> – Deleted footnote <p>Updated Figure 49: STM8A order codes.</p> <p>Added Chapter 14: Known limitations.</p>
22-Oct-2009	Rev 5	<p>Updated Table 1: Device summary:</p> <ul style="list-style-type: none"> – Added STM8AF5178, STM8AF519A and STM8AF619A.

Please Read Carefully:

Information in this document is provided solely in connection with ST products. STMicroelectronics NV and its subsidiaries ("ST") reserve the right to make changes, corrections, modifications or improvements, to this document, and the products and services described herein at any time, without notice.

All ST products are sold pursuant to ST's terms and conditions of sale.

Purchasers are solely responsible for the choice, selection and use of the ST products and services described herein, and ST assumes no liability whatsoever relating to the choice, selection or use of the ST products and services described herein.

No license, express or implied, by estoppel or otherwise, to any intellectual property rights is granted under this document. If any part of this document refers to any third party products or services it shall not be deemed a license grant by ST for the use of such third party products or services, or any intellectual property contained therein or considered as a warranty covering the use in any manner whatsoever of such third party products or services or any intellectual property contained therein.

UNLESS OTHERWISE SET FORTH IN ST'S TERMS AND CONDITIONS OF SALE ST DISCLAIMS ANY EXPRESS OR IMPLIED WARRANTY WITH RESPECT TO THE USE AND/OR SALE OF ST PRODUCTS INCLUDING WITHOUT LIMITATION IMPLIED WARRANTIES OF MERCHANTABILITY, FITNESS FOR A PARTICULAR PURPOSE (AND THEIR EQUIVALENTS UNDER THE LAWS OF ANY JURISDICTION), OR INFRINGEMENT OF ANY PATENT, COPYRIGHT OR OTHER INTELLECTUAL PROPERTY RIGHT.

UNLESS EXPRESSLY APPROVED IN WRITING BY AN AUTHORIZED ST REPRESENTATIVE, ST PRODUCTS ARE NOT RECOMMENDED, AUTHORIZED OR WARRANTED FOR USE IN MILITARY, AIR CRAFT, SPACE, LIFE SAVING, OR LIFE SUSTAINING APPLICATIONS, NOR IN PRODUCTS OR SYSTEMS WHERE FAILURE OR MALFUNCTION MAY RESULT IN PERSONAL INJURY, DEATH, OR SEVERE PROPERTY OR ENVIRONMENTAL DAMAGE. ST PRODUCTS WHICH ARE NOT SPECIFIED AS "AUTOMOTIVE GRADE" MAY ONLY BE USED IN AUTOMOTIVE APPLICATIONS AT USER'S OWN RISK.

Resale of ST products with provisions different from the statements and/or technical features set forth in this document shall immediately void any warranty granted by ST for the ST product or service described herein and shall not create or extend in any manner whatsoever, any liability of ST.

ST and the ST logo are trademarks or registered trademarks of ST in various countries.

Information in this document supersedes and replaces all information previously supplied.

The ST logo is a registered trademark of STMicroelectronics. All other names are the property of their respective owners.

© 2009 STMicroelectronics - All rights reserved

STMicroelectronics group of companies

Australia - Belgium - Brazil - Canada - China - Czech Republic - Finland - France - Germany - Hong Kong - India - Israel - Italy - Japan - Malaysia - Malta - Morocco - Philippines - Singapore - Spain - Sweden - Switzerland - United Kingdom - United States of America

www.st.com