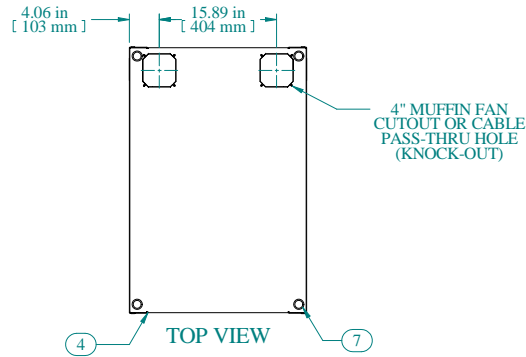
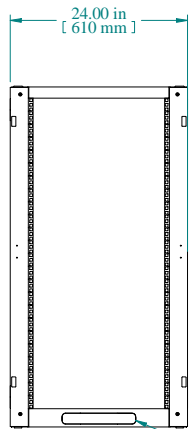
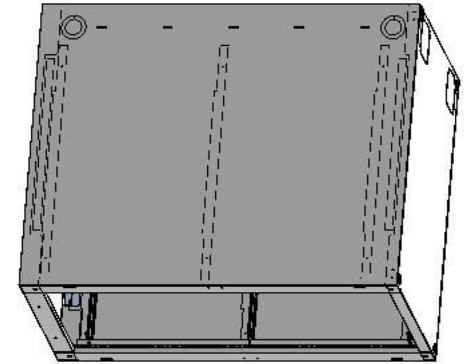


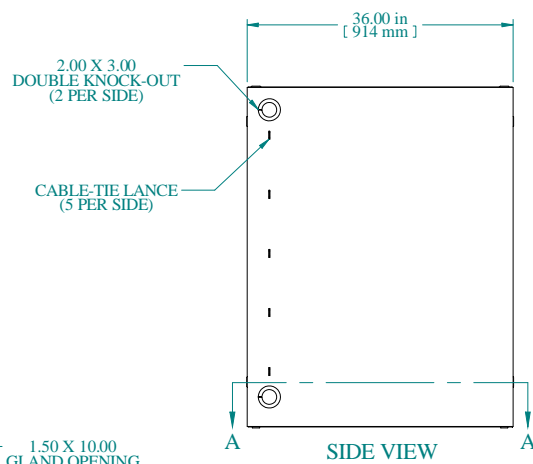
SECTION A-A



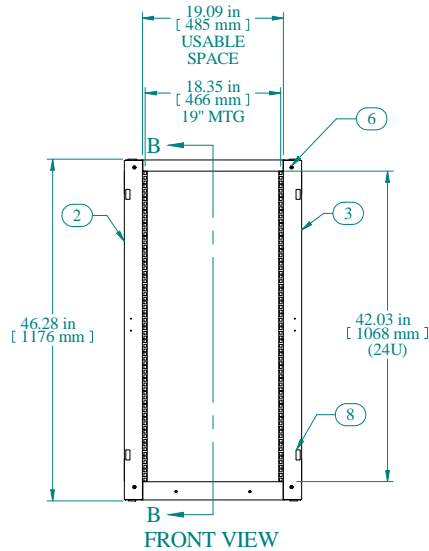
TOP VIEW



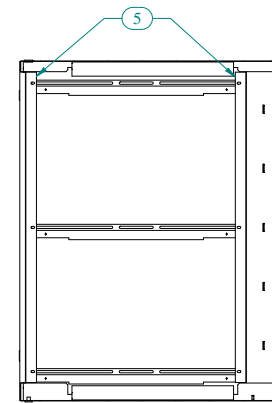
REAR VIEW



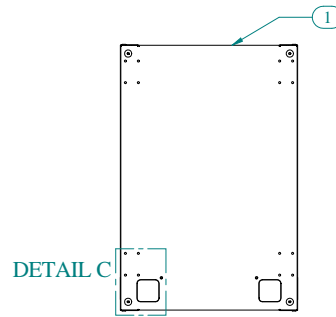
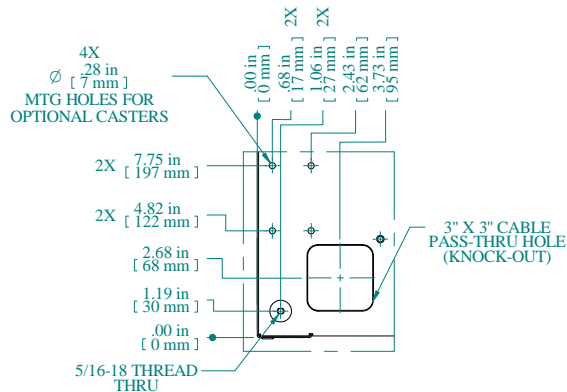
SIDE VIEW



FRONT VIEW



SECTION B-B



BOTTOM VIEW

Item Number	Title	Quantity
1	RCSC - BOTTOM PANEL	1
2	RCSC - LH SIDE FRAME	1
3	RCSC - RH SIDE FRAME	1
4	RCSC - TOP PANEL	1
5	RCSC - 24U PUNCHED PANEL RAIL	4
6	SCREW M6 X 1.0 X 12MM	8
7	PLUG - 1.00\"/>	4
8	PLUG - 0.38\"/>	8

**PART NUMBERS**

RCSC1904236BK1 | PAINTED BLACK TEXTURED

**NOTES**

Shipped knockdown for handling ease & protection  
See Hammond Website for Additional Accessories

Data subject to change without notice. Isometric drawing not to scale.

**HAMMOND  
MANUFACTURING™**

www.hammondmfg.com

**PART NO. RCSC1904236**