

LCD control panel specifications

Model: ND-JY2302

Document Number: RM20120420001

Version Information: Ver 1.0

Establishment: Wang

Phone:

QQ: 274008121

Mailbox: 274008121@qq.com

1. Directory

Page number	Content
1	Directory
2	Version History
3	Product Overview
4	Product Features
5	Product
6	The main interface definition description
7	Key board schematics
8	Operating Instructions
9	Menu Introduction
10	Structure
11	Analog R, G, B mode table supported
12	Transport, storage, use

2. Revision History

The version number	Date	Page number	Description of Change
1	20120420	Whole	The first issue of the new version

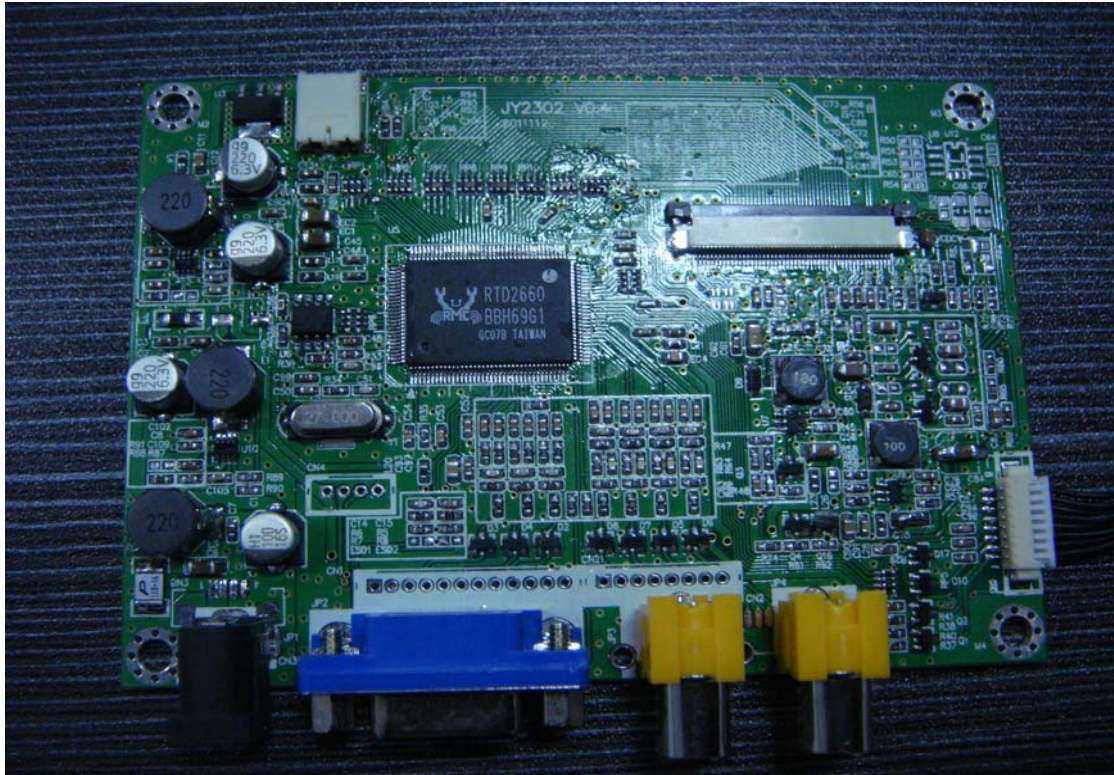
3. Product Overview

JY2302 for mating TM080SDH01/AT056TN52 panel LCD display driver board, this MONITOR program can support up to 1920x1200 resolution, color support to 24bit, line frequency of 15 to 250KHz, 45 to 80Hz field frequency range signals can be synchronized automatically detect synchronization mode requires the use of horizontal and vertical sync signals separated.

4. Product Features

Model	ND-JY2302			
Chip solution	Single Chip RTD2660			
Screen Panel	Flooding screen interface	Mono port TTL interface		
	Maximum resolution	1920x1200		
Power supply	Operating Voltage	12V or 12V +5 V		
	Flooding screen voltage	3.3V or 5V or 12V		
	Power Mode	Support low-power mode, standby mode		
	Standby Power	<1W		
Interface	PC-RGB	Mode	Max.1920*1200@60Hz	
		Signal	0.7Vp—p@75ohm	
		H-Frequency	30—80KHz	
		V-Frequency	45—80Hz	
	AV	CVBS	Color system: PAL NTSC	
			Video: 1.0Vp-p +/-5%	
		AVOUT		
OSD language	Simplified Chinese, Traditional Chinese, English, French, German, Italian, Spanish, Japanese, Korean, Russian, Polish, Thai, Netherlands Language			
Key Functions	POWER, MENU, +/-, AUTO/EXIT			
Audio Output	2x2W(8Ω)			

5. Product



6. The main interface definition description (To screen positive for the first leg)

CN31: Power input port (JST B4B-PH-K-S or compatibility)

Pin NO	DEF
1	+12V IN
2	+12V IN
3	GND
4	GND

CN1: 12PIN VGA Connector (JST B12B-PH-K-S or compatibility)

Pin NO	DEF
1	SCL
2	SDA
3	GND
4	BLUE
5	GND
6	GREEN
7	GND
8	RED
9	GND
10	HSYNC
11	VSYNC
12	GND

CN21: VIDEO AND S-VIDEO IN (JST B5B-PH-K-S or compatibility)

Pin NO	DEF
2	SV_C
3	GND
4	SV_Y
5	GND
6	AV2
7	GND
8	AV1

CN5: Key Connector (JST B14B-PH-K-S or compatibility)

Pin NO	DEF
1	LED_R
2	LED_G
3	ADC1
4	ADC2
5	GND
6	IR
7	GND
8	+5V

CN4: ISP Connector (JST B4B-PH-K-S or compatibility)

Pin NO	DEF
1	+5V
2	ISP_SCL
3	ISP_SDA
4	GND

CN12: TTL Connector FOR TM080SDH01

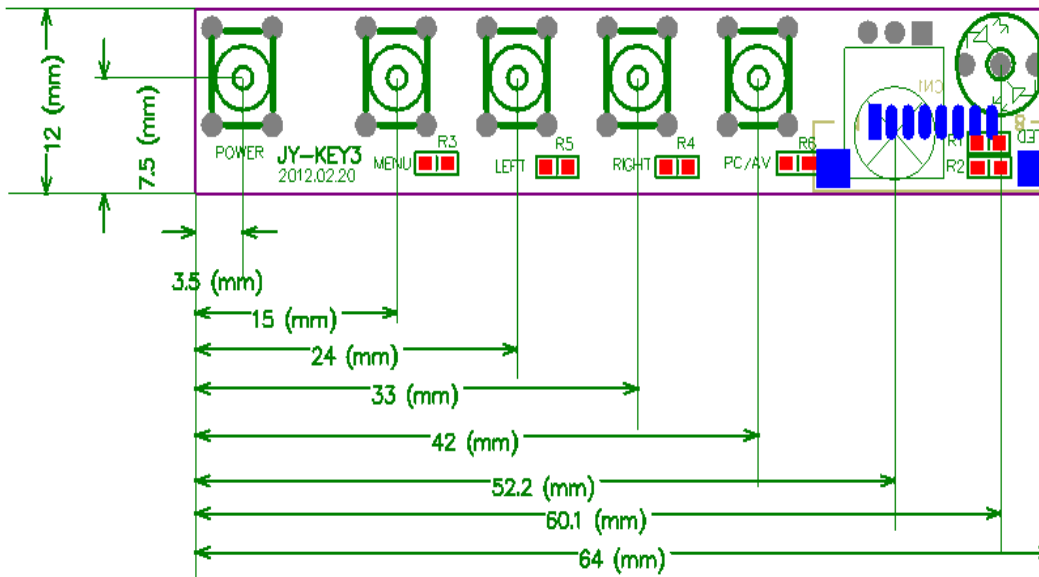
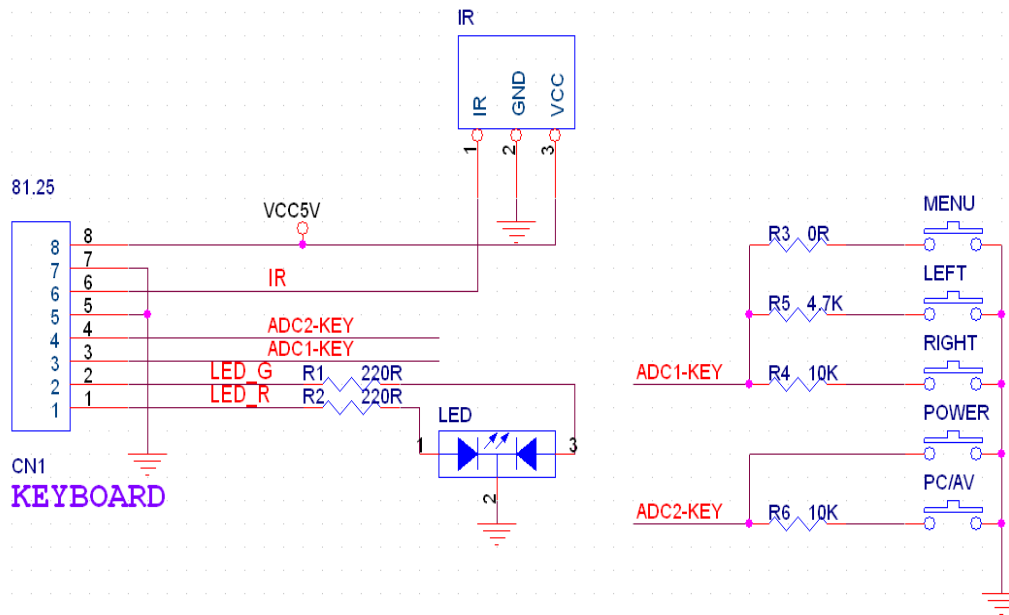
Pin NO	DEF
1	NC
2	NC
3	NC
4	NC
5	GND
6	VCOM
7	VCC
8	MODE
9	DE
10	VS
11	HS
12	B7
13	B6
14	B5
15	B4
16	B3
17	B2
18	B1
19	B0
20	G7
21	G6
22	G5
23	G4
24	G3
25	G2
26	G1
27	G0
28	R7

29	R6
30	R5
31	R4
32	R3
33	R2
34	R1
35	R0
36	GND
37	DCLK
38	GND
39	L/R
40	U/D
41	VGH
42	VGL
43	AVDD
44	RESET
45	NC
46	VCOM
47	DITHB
48	GND
49	NC
50	NC

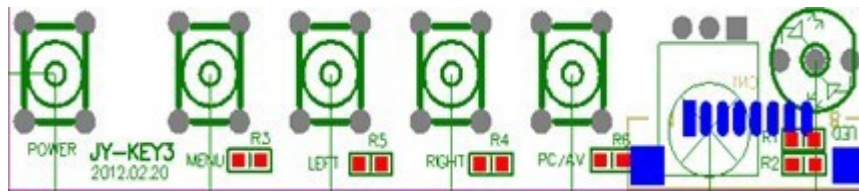
CN2: Output connector adapter to JST BHR-02VS-1

Pin NO	Symbol	Function
1	LED+	Power supply for backlight unit
2	LED-	Ground for backlight unit

7. Key board schematics



8. Operating Instructions



- Note: from left to right

- (一) POWER Power switch
- (二) MENU Menu Selection
- (三) LEFT Reduce regulation
- (四) RIGHT Increased regulation
- (五) EXIT Exit / automatic adjustment
- (六) Power Indicator

- Power switch

- (1) Press this button ON / OFF of monitor's power

- Power Indicator

- (1) Green / Blue - switched
- (2) Blinking - Standby
- (3) Off - off state
- (4) Red - no signal status

- MENU Menu Selection

- (1) Activate OSD menu or function adjust confirm

- LEFT Reduce regulation / move up

- (1) When the first and second columns menu and the OSD menu is active, this Button as the UP key

(2) When the OSD menu is active and in the third column of the sub-menu, this button as the LEFT button

- RIGHT increased regulation / down

(1) When the menu is active and in the first column and the second column of the menu, this button is used as DOWN keys

(2) When the OSD menu is active and in the third column of the sub-menu, this button as the RIGHT button

- EXIT Exit / automatic adjustment

(1) When OSD menu is in active status, this button will act as EXIT OSD menu key

(2) When OSD menu is in off status, press this button to activate the Auto Adjustment function. Auto Adjustment function will automatically set the horizontal position, vertical position and clock.

9. Menu Introduction

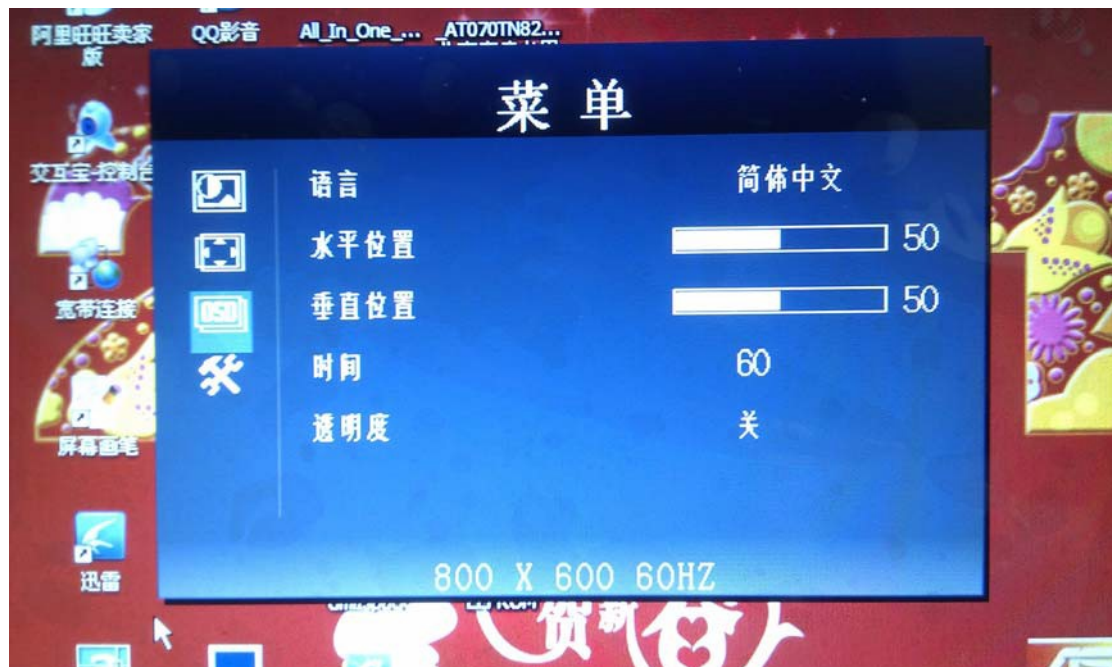
1: Color Adjustment



2: Screen Adjustment



3: Menu Options



4: Feature Selection



1. 1、 Brightness adjustment (BRIGHTNESS) Press MENU to enter the main menu by pressing LEFT or RIGHT from the left of the first and second columns to enter the option menu, then press LEFT or RIGHT to adjust the screen brightness to suit the requirements of the environment.



1. 2、 Contrast adjustment (CONTRAST) Press MENU to enter the main menu by pressing the LEFT or RIGHT from the left of the first and second columns to enter the option menu, then press LEFT or RIGHT to adjust the contrast of the screen display to get the best results.



2. 1、 Horizontal position adjustment (H.POSITION) Press MENU to enter the main menu by pressing the LEFT or RIGHT from the left of the first and second columns to enter the option menu, then press LEFT or RIGHT to adjust the display to adjust the horizontal position of the picture.



2. 2、 Vertical position adjustment (V.POSITION) Press MENU to enter the main menu by pressing LEFT or RIGHT from the left of the first and second columns to enter the option menu, then press LEFT or RIGHT to adjust the display to adjust the vertical position of the picture.



2. 3、 Phase adjustment (PHASE) Press MENU to enter the main menu by pressing the LEFT or RIGHT from the left of the first and second columns to enter the option menu, then press LEFT or RIGHT pixel sampling phase to improve stability.



2. 4、 Clock Press MENU to enter the main menu by pressing the LEFT or RIGHT from the left of the first and second columns to enter the option menu, then press LEFT or RIGHT to enter the display frequency adjustment to track stability.



3. 1、 Language (LANGUAGE) Press MENU to enter the main menu by pressing the LEFT or RIGHT from the left of the first and second columns to enter the option menu, then press LEFT or RIGHT to select the language

This machine has twelve languages to choose from are:

English French German Italian Spanish Simplified Chinese Traditional Chinese Russian Polish Dutch Korean Japanese (language, please prevail in the actual machine))



3. 2、 Horizontal position adjustment (OSD H-POS) Press MENU to enter the main menu by pressing the LEFT or RIGHT from the left of the first and second columns to enter the menu option, then press LEFT or RIGHT to adjust the horizontal position of the menu display.



3. 3、 Adjust the vertical position (OSD V-POS) Press MENU to enter the main menu by pressing LEFT or RIGHT from the left of the first and second columns to enter the option menu, then press LEFT or RIGHT to adjust the vertical position of the menu display.



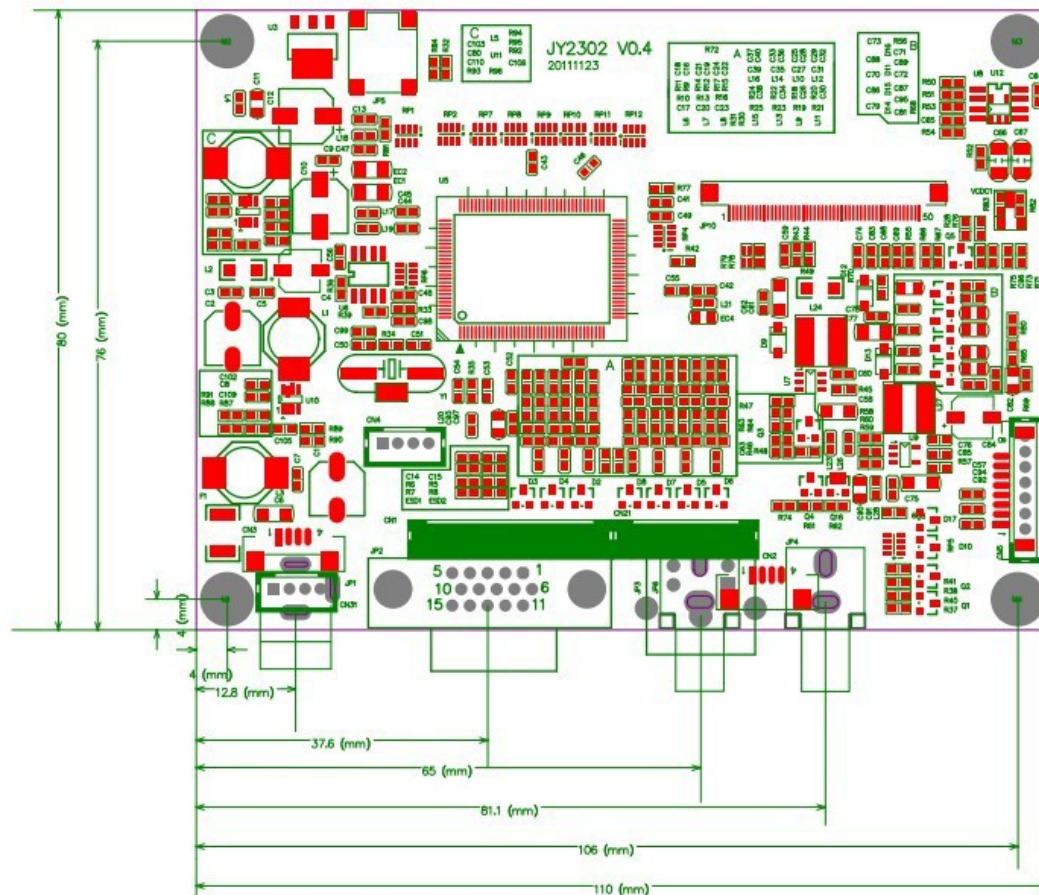
4. 1、 Restore Factory mode (RESET) Press MENU to enter the main menu by pressing LEFT or RIGHT from the left of the first and second columns to enter the option menu, then press LEFT or RIGHT to restore factory settings.



Note:

This monitor complies with the Video Electronics Standards Association (VESA) and the Swedish employee organizations Union

Environmental and efficiency standards (NUTEK) regulations, and its function is when there is no input signal by reducing energy consumption way to save electricity. When no input signal this monitor, over time, will automatically switch to "standby" status, which reduces the monitor's internal power supply consumption. After the input signal is restored, full power is restored and the display is automatically redrawn. This phenomenon except the display is completely off is similar to a "Screen Saver" feature. The display is turned off, otherwise by pressing a key on the keyboard or clicking the mouse to restore the image.

10. Structure

Outline: 110.0*80.0*16mm

Top layer High (Max): 13.8 mm

Board Thickness: 0.6 mm

Screw: D4.0mm

11. Support Mode Table

ANALOG RGB FORMAT TABLE

Resolution	Refresh Rate	Horizontal Frequency	Standard
1920X1080	60HZ	67.5KHZ	
1680X1050	60HZ	64.7KHZ	CVT RED. Blanking
	60HZ	65.3KHZ	CVT
1440X900	60HZ	55.5 KHZ	CVT RED. Blanking
	60HZ	59.9 KHZ	CVT
1280X1024	60HZ	63.5KHZ	VESA
1024X768	60HZ	48.4 KHZ	VESA
	70HZ	56.5 KHZ	
	75HZ	60.0 KHZ	
800X600	60HZ	37.9 KHZ	VESA
	70HZ	47.2 KHZ	
	75HZ	46.9 KHZ	
640X480	60HZ	31.5 KHZ	VESA
	70HZ	37.9 KHZ	
	75HZ	37.5 KHZ	
720X400	70HZ	31.H KHZ	VESA

12. Transport, storage, use

Relative humidity: $\leq 80\%$ -20 ~ +70 °C Do not bend under heavy pressure and guard against static electricity, water.

Be careful not to fall into the work of metal or other conductive material