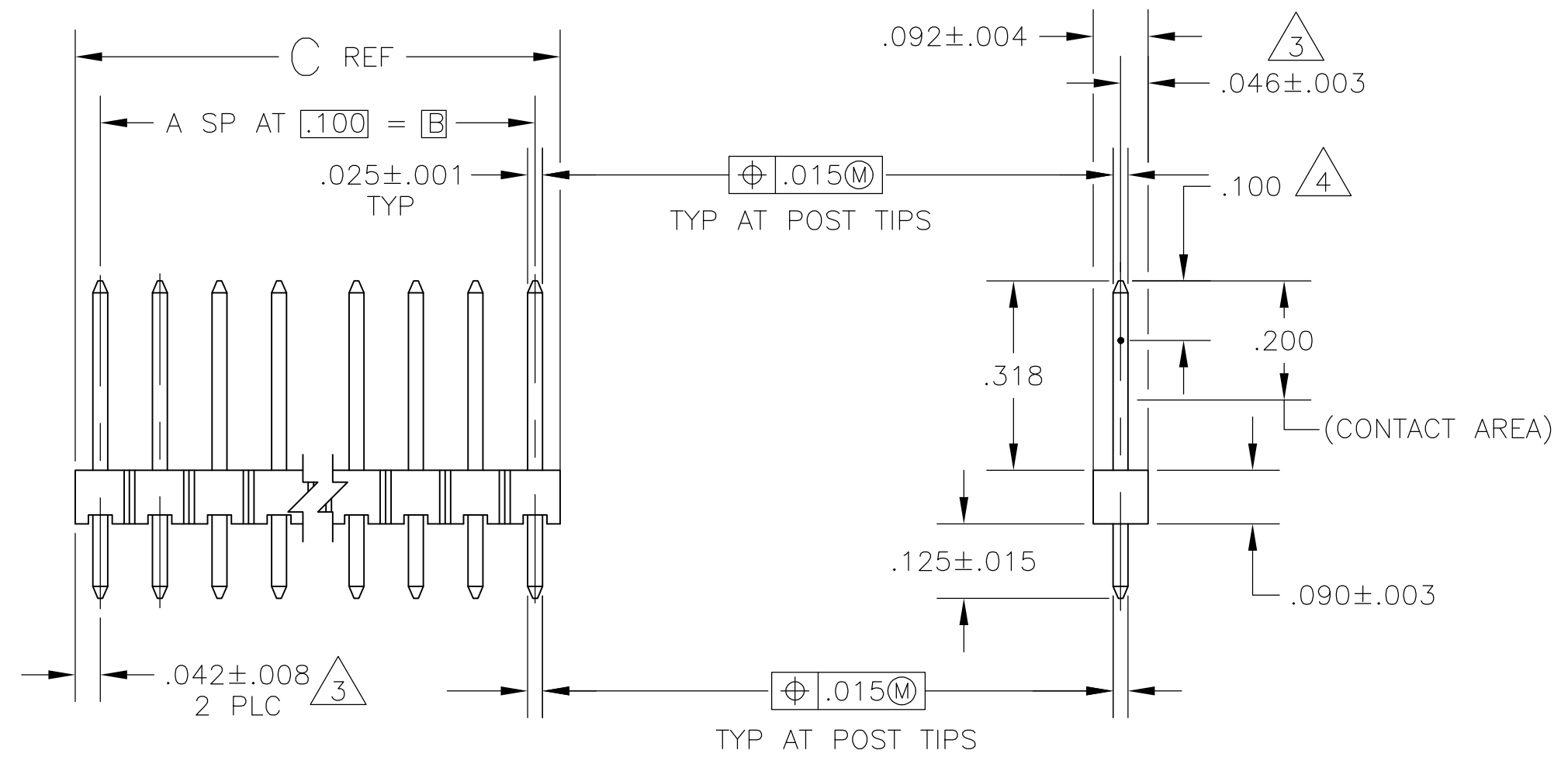


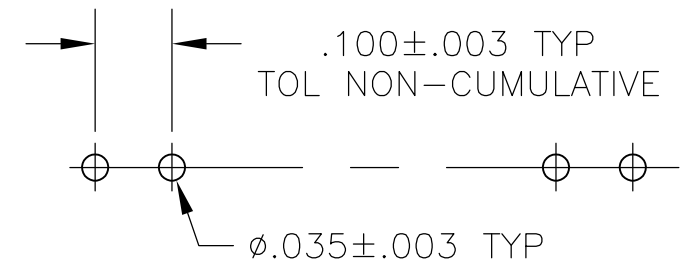
THIS DRAWING IS UNPUBLISHED. RELEASED FOR PUBLICATION  
 © COPYRIGHT - By - ALL RIGHTS RESERVED.

LOC	DIST	REVISIONS			
P	LTR	DESCRIPTION	DATE	DWN	APVD
AD	00	REVISED PER ECO-14-000068	23APR2014	NK	MM

- 1 ASSEMBLY MAY BE BROKEN TO THE DESIRED NUMBER OF POSITIONS
- 2 TRUE POSITION TOLERANCE OF THE POST TIPS APPLIES WHEN THE HEADERS ARE HELD FLAT AGAINST THE PRINTED CIRCUIT BOARD
- 3 THE NOTED DIMENSIONS APPLY AT THE INTERSECTION OF THE POST AND HOUSING
- 4 POINT OF MEASUREMENT FOR PLATING THICKNESS
- 5 OBSOLETE PARTS: OBSOLETE CIS STREAMLINING PER D.RENAUD/D.SINISI



	C	B	A	NO OF POSN	PART NUMBER
5 OBSOLETE	3.984	3.900	39	40	4-102976-0
5 OBSOLETE	3.884	3.800	38	39	3-102976-9
5 OBSOLETE	3.784	3.700	37	38	3-102976-8
5 OBSOLETE	3.684	3.600	36	37	3-102976-7
5 OBSOLETE	3.584	3.500	35	36	3-102976-6
5 OBSOLETE	3.484	3.400	34	35	3-102976-5
5 OBSOLETE	3.384	3.300	33	34	3-102976-4
5 OBSOLETE	3.284	3.200	32	33	3-102976-3
5 OBSOLETE	3.184	3.100	31	32	3-102976-2
5 OBSOLETE	3.084	3.000	30	31	3-102976-1
5 OBSOLETE	2.984	2.900	29	30	3-102976-0
5 OBSOLETE	2.884	2.800	28	29	2-102976-9
5 OBSOLETE	2.784	2.700	27	28	2-102976-8
5 OBSOLETE	2.684	2.600	26	27	2-102976-7
5 OBSOLETE	2.584	2.500	25	26	2-102976-6
5 OBSOLETE	2.484	2.400	24	25	2-102976-5
5 OBSOLETE	2.384	2.300	23	24	2-102976-4
5 OBSOLETE	2.284	2.200	22	23	2-102976-3
5 SUPERSEDED BY 7-146277-2	2.184	2.100	21	22	2-102976-2
5 OBSOLETE	2.084	2.000	20	21	2-102976-1
5 OBSOLETE	1.984	1.900	19	20	2-102976-0
5 OBSOLETE	1.884	1.800	18	19	1-102976-9
5 OBSOLETE	1.784	1.700	17	18	1-102976-8
5 OBSOLETE	1.684	1.600	16	17	1-102976-7
5 OBSOLETE	1.584	1.500	15	16	1-102976-6
5 OBSOLETE	1.484	1.400	14	15	1-102976-5
5 SUPERSEDED BY 6-146277-2	1.384	1.300	13	14	1-102976-4
5 SUPERSEDED BY 6-146277-2	1.284	1.200	12	13	1-102976-3
5 SUPERSEDED BY 6-146277-2	1.184	1.100	11	12	1-102976-2
5 SUPERSEDED BY 6-146277-2	1.084	1.000	10	11	1-102976-1
5 SUPERSEDED BY 6-146277-2	.984	.900	9	10	1-102976-0
5 SUPERSEDED BY 6-146277-2	.884	.800	8	9	102976-9
5 SUPERSEDED BY 6-146277-2	.784	.700	7	8	102976-8
5 SUPERSEDED BY 5-146277-7	.684	.600	6	7	102976-7
5 SUPERSEDED BY 5-146277-7	.584	.500	5	6	102976-6
5 SUPERSEDED BY 5-146277-7	.484	.400	4	5	102976-5
5 SUPERSEDED BY 5-146277-7	.384	.300	3	4	102976-4
5 SUPERSEDED BY 5-146277-7	.284	.200	2	3	102976-3
5 SUPERSEDED BY 5-146277-7	.184	.100	1	2	102976-2
5 SUPERSEDED BY 5-146277-7	.084	—	—	1	102976-1



RECOMMENDED HOLE LAYOUT

THIS DRAWING IS A CONTROLLED DOCUMENT.		DWN H MOLL 120CT87	TE Connectivity	
DIMENSIONS: INCHES		CHK T. CLARK 120CT87	NAME	
TOLERANCES UNLESS OTHERWISE SPECIFIED:		APVD T. CLARK 130CT87	PRODUCT SPEC	
0 PLC ± -		APPLICATION SPEC		
1 PLC ± -		WEIGHT		
2 PLC ± -		A2 00779 C=102976		
3 PLC ± .005		SCALE 4:1 SHEET 1 OF 1 REV H		
4 PLC ± -		CUSTOMER DRAWING		
ANGLES ± -		RESTRICTED TO		
MATERIAL HOUSING: FLAME RETARDANT THERMOPLASTIC; COLOR-BLACK		FINISH POSTS: .00030 GOLD ON CONTACT AREA, .000100-.000200 MATTE TIN-LEAD ON SOLDER TAIL, ALL OVER .00050 NICKEL		