

# VANE AXIAL FAN DIRECT DRIVEN

## Series TDA-V



### Features

For commercial and industrial applications where large volumes of air are required at moderate to high pressure, special designed integral straightening vanes, reduced turbulence, provide high performance and low sound level.

### Construction

Double flanged casing is produced in mild steel or galvanised steel, the impeller having manually adjustable pitch aerofoil blades is made of Aluminium.

### Finish

Available in standard finishes of galvanisation or painting.

### Operating Temperature

-20°C to +55°C

### Motors

Totally enclosed Class 'F' motor, to a min. IP54 protection are fitted as standard. Standard motor up to 2.2kW are usually supplied on DOL starting, motor 3.0kW and above are star/delta starting.

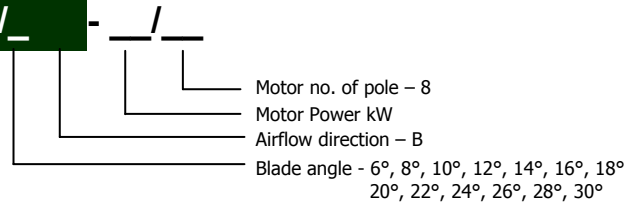
### Airflow Direction

Air flowing from impeller to motor is fitted as standard.

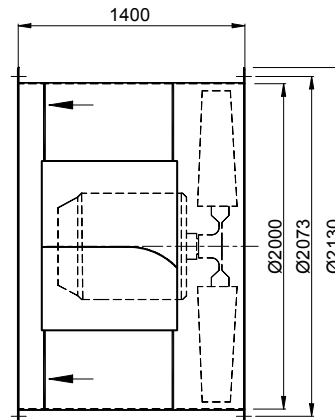
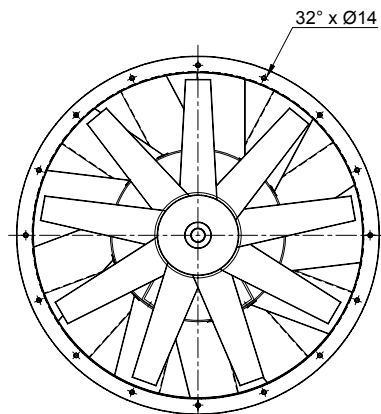


Kruger Ventilation Industries Pte Ltd certifies that the TDA 2000-V shown herein is licensed to bear the AMCA Seal. The ratings shown are based on tests and procedures performed in accordance with AMCA publication 211 and comply with the requirements of the AMCA Certified Ratings Program.

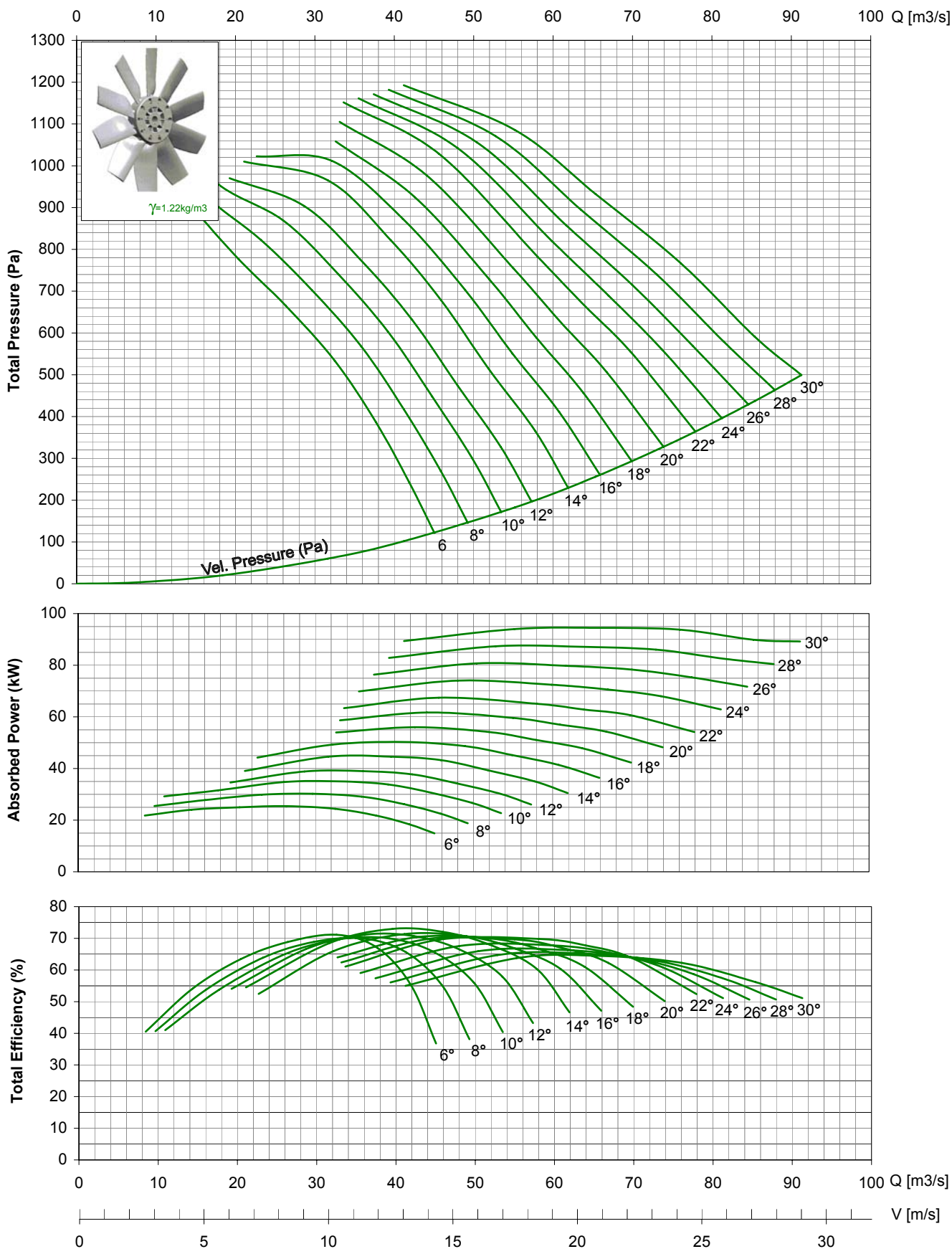
**MODEL: TDA 2000-V / 31BN / 6-6 / \_/\_ / \_/\_**



\* All Dimension in mm



# TDA 2000-V/ 31BN/ 6-6/ \_ \_ / \_ 725rpm - 50Hz



- Performance certified is for installation type D - ducted inlet, ducted outlet. Performance ratings do not include the effects of appurtenances (accessories).  
 - The AMCA Certified Ratings Seal applies to air performance ratings only.