



TRA4

SPECIFICATION

FILE NUMBER: P-08KB201A

DATE: 2001/7/19



■ Features

1 form A contact arrangement
 Immersion cleanable, sealed version available
 Applications include appliance, HAVC, CTV,
 Monitor, Emergency lighting

■ CONTACT DATA

Contact Form	1A	
Contact Material	AgSnO	
Contact Ratings	10A 250VAC/30VDC	
Max Switching Voltage	250VAC/110VDC	
Max Switching Current	12A	
Max Switching Power	2500VA/300W	
Contact Resistance	100m Ω Max	at 6VDC 1A
Life Expectancy Electrical	100,000	Operations(at30Operations/minute)
Machanical	10,000,000	Operations

■ GENERAL DATA

Insulation Resistance	100M Ω Min at 500VDC	
Dielectric Strength Between Open Contacts	1000VAC(for one minute)	
Between Contacts and coil	4000VAC(for one minute)	
Operate Time	20ms	
Release Time	10ms	
Temperature Range	-40°C to+70 °C	
Shock Resistance	Operating Extremes	10G
	Damage Limits	100G
Vibration Resistance	10-55Hz,1.5mm	
Humidity	20-85%	
Weight	Approx 11g	
Safety Standard		

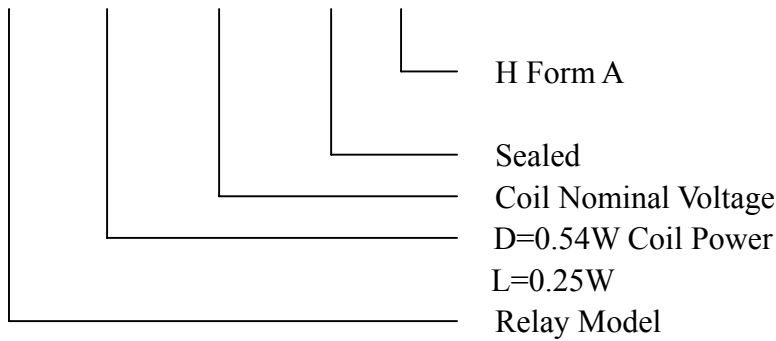


■ COIL DATA

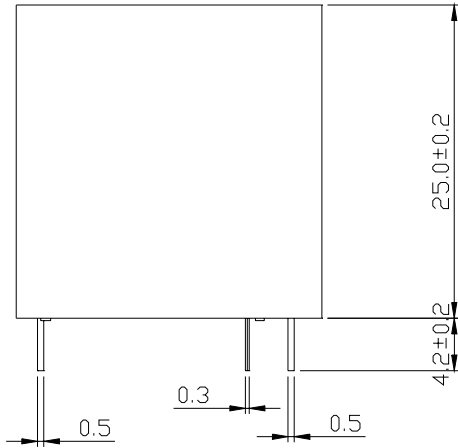
Nominal Voltage (VDC)	Coil Resistance at 20±10%(Ω)		Max Operate Voltage VDC	Min Release Voltage VDC	Max Applicable Voltage VDC
	0.25W	0.54W			
3	36	16.7	2.25	0.3	3.9
5	100	46.3	3.75	0.5	6.5
6	144	66.7	4.5	0.6	7.8
9	324	150	6.75	0.9	11.7
12	576	266.7	9	1.2	15.6
24	2304	1066.7	18	2.4	31.2
48	9216±15%	4266.7±15%	36	4.8	62.4

■ ORDERING CODE

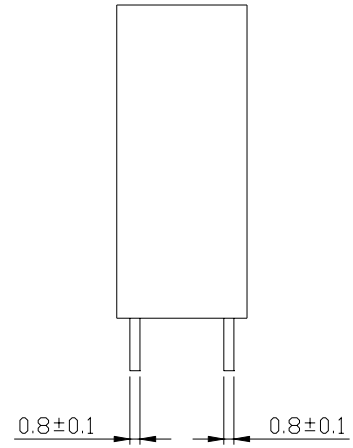
TRA4 D--12VDC--S--H



OVERALL AND MOUNTING DIMENSIONS



Dimensions



Terminal Arrangement/
Internal Connections
(Bottom view)

