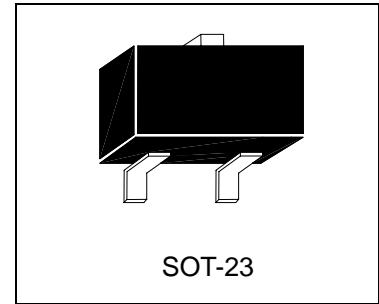


**Low Dropout CMOS Voltage Regulators**

# LM6206N3



**Product Description**

The LM6206N3 series is a set of three-terminal high current low voltage regulator implemented in CMOS technology. They can deliver 250mA output current and allow an input voltage as high as 6.5V. CMOS technology ensures low voltage drop and low quiescent current. They are available with several fixed output voltage ranging from 1.5V to 3.3V. In addition, output voltage can be set internally. It is selectable in 0.1V increments within a range of 1.5V to 3.3V.

**Features**

- Low dropout voltage
- Maximum output current 250mA
- Output voltage : 1.5V~3.3V (0.1V increments)
- Output voltage accuracy : tolerance  $\pm 2\%$
- Low temperature coefficient

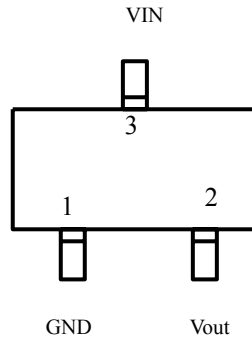
**Applications**

- Battery powered equipment
- Reference voltage sources
- Cameras and video cameras
- Portable AV systems
- Communication tools
- Portable games

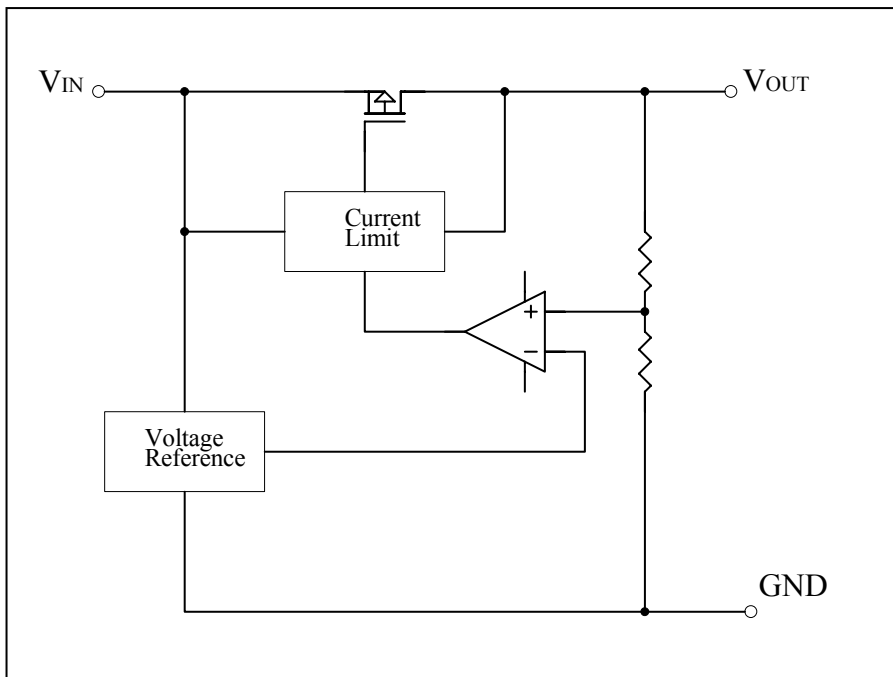
**Absolute Maximum Ratings**

Parameter	Symbol	Ratings	Units
Input Voltage	V <sub>IN</sub>	6.5	V
Output Current	I <sub>out</sub>	250	mA
Continuous Total Power Dissipation	P <sub>D</sub>	150	mW
Operating Ambient Temperature	T <sub>OPR</sub>	-40~+85	°C
Storage Temperature	T <sub>STG</sub>	-50~+125	°C

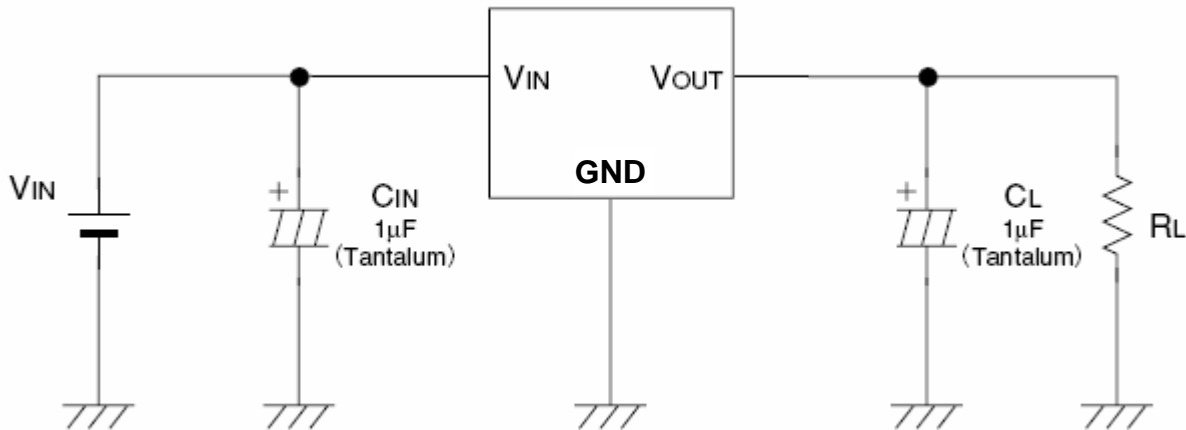
### Pin Configuration



### Block Diagram



## Typical Application Circuit



## Ordering Information

Device	Output Voltage	Package	Shipping	Marking
LM6206-1.5 N3	1.5V	SOT-23	Tape & Reel / 3K	65E9
LM6206-1.8 N3	1.8V	SOT-23	Tape & Reel / 3K	65K5
LM6206-3.0 N3	3.3V	SOT-23	Tape & Reel / 3K	65Z5
LM6206-3.3 N3	3.3V	SOT-23	Tape & Reel / 3K	662K

## Electrical Characteristics @VIN=5V, Ta=25°C, CIN=1µF(tantalum), COUT=1µF(tantalum), unless otherwise noted

### LM6206-1.5

Parameter	Conditions	Min	Typ	Max	Units	Circuit
Output Voltage	Io=10mA, Vin=2.5V	2.450	2.500	2.550	V	1
Line Regulation $\Delta V_{out}/\Delta V_{in} V_{out}$	Io=30mA, 2.5V < Vin < 6V	-	0.05	0.25	%/V	1
Load Regulation	Vin=2.5V, 1mA < Io < 100mA	-	25	100	mV	1
Current Consumption	Vin=2.5V	-	7	15	µA	2
Dropout Voltage	Io=30mA	-	75	350	mV	1
	Io=100mA	-	250	680	mV	1



**LM6206-1.8**

Parameter	Conditions	Min	Typ	Max	Units	Circuit
Output Voltage	I <sub>o</sub> =10mA, V <sub>in</sub> =2.8V	1.764	1.800	1.836	V	1
Line Regulation $\Delta V_{out}/\Delta V_{in}$	I <sub>o</sub> =30mA, 2.8V<V <sub>in</sub> <6V	-	0.05	0.25	%/V	1
Load Regulation	V <sub>in</sub> =2.8V, 1mA<I <sub>o</sub> <100mA	-	25	100	mV	1
Current Consumption	V <sub>in</sub> =2.8V	-	7	15	$\mu$ A	2
Dropout Voltage	I <sub>o</sub> =30mA	-	75	350	mV	1
	I <sub>o</sub> =100mA	-	250	680	mV	1

**LM6206-3.0**

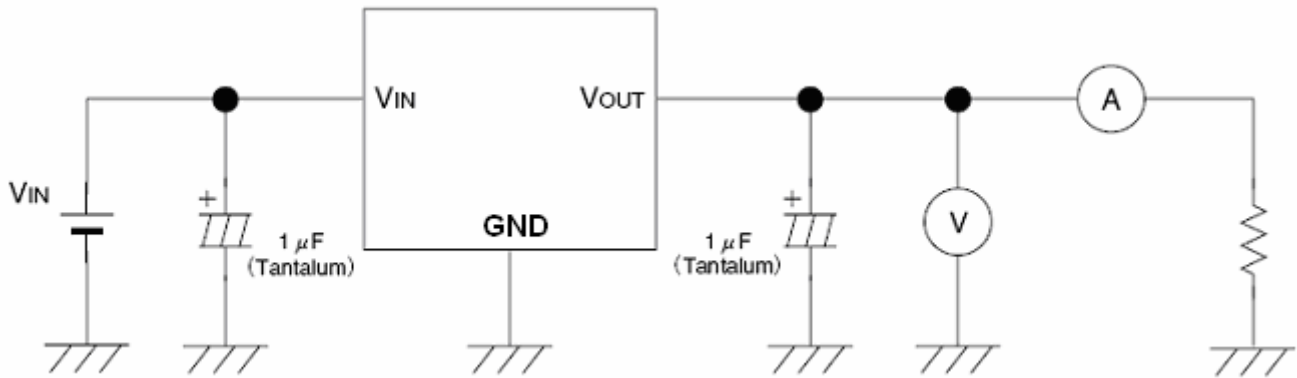
Parameter	Conditions	Min	Typ	Max	Units	Circuit
Output Voltage	I <sub>o</sub> =10mA, V <sub>in</sub> =4.0V	2.940	3.000	3.060	V	1
Line Regulation $\Delta V_{out}/\Delta V_{in}$	I <sub>o</sub> =30mA, 4.0V<V <sub>in</sub> <6V	-	0.05	0.25	%/V	1
Load Regulation	V <sub>in</sub> =4.0V, 1mA<I <sub>o</sub> <100mA	-	25	100	mV	1
Current Consumption	V <sub>in</sub> =4.0V	-	7	15	$\mu$ A	2
Dropout Voltage	I <sub>o</sub> =30mA	-	75	350	mV	1
	I <sub>o</sub> =100mA	-	250	680	mV	1

**LM6206-3.3**

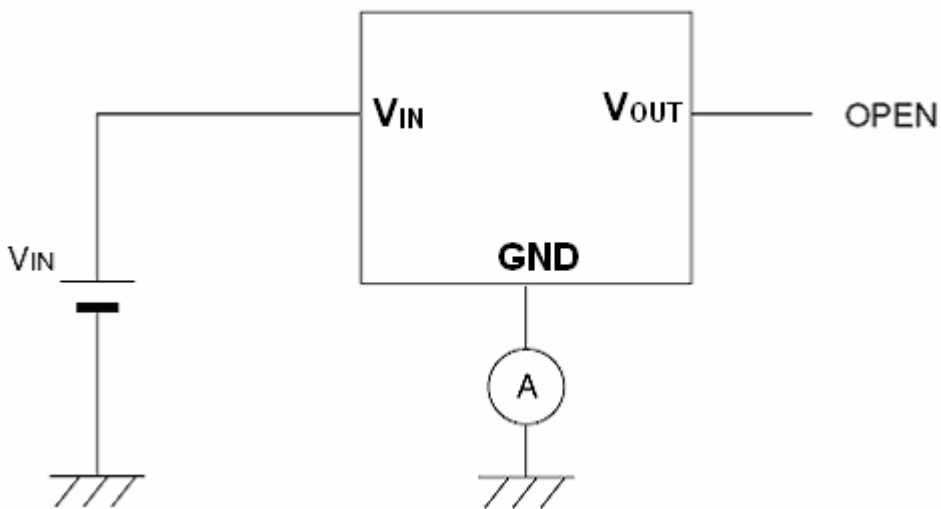
Parameter	Conditions	Min	Typ	Max	Units	Circuit
Output Voltage	I <sub>o</sub> =10mA, V <sub>in</sub> =4.3V	3.234	3.300	3.366	V	1
Line Regulation $\Delta V_{out}/\Delta V_{in}$	I <sub>o</sub> =30mA, 4.3V<V <sub>in</sub> <6V	-	0.05	0.25	%/V	1
Load Regulation	V <sub>in</sub> =4.3V, 1mA<I <sub>o</sub> <100mA	-	25	100	mV	1
Current Consumption	V <sub>in</sub> =4.3V	-	7	15	$\mu$ A	2
Dropout Voltage	I <sub>o</sub> =30mA	-	75	350	mV	1
	I <sub>o</sub> =100mA	-	250	680	mV	1

### Test Circuits

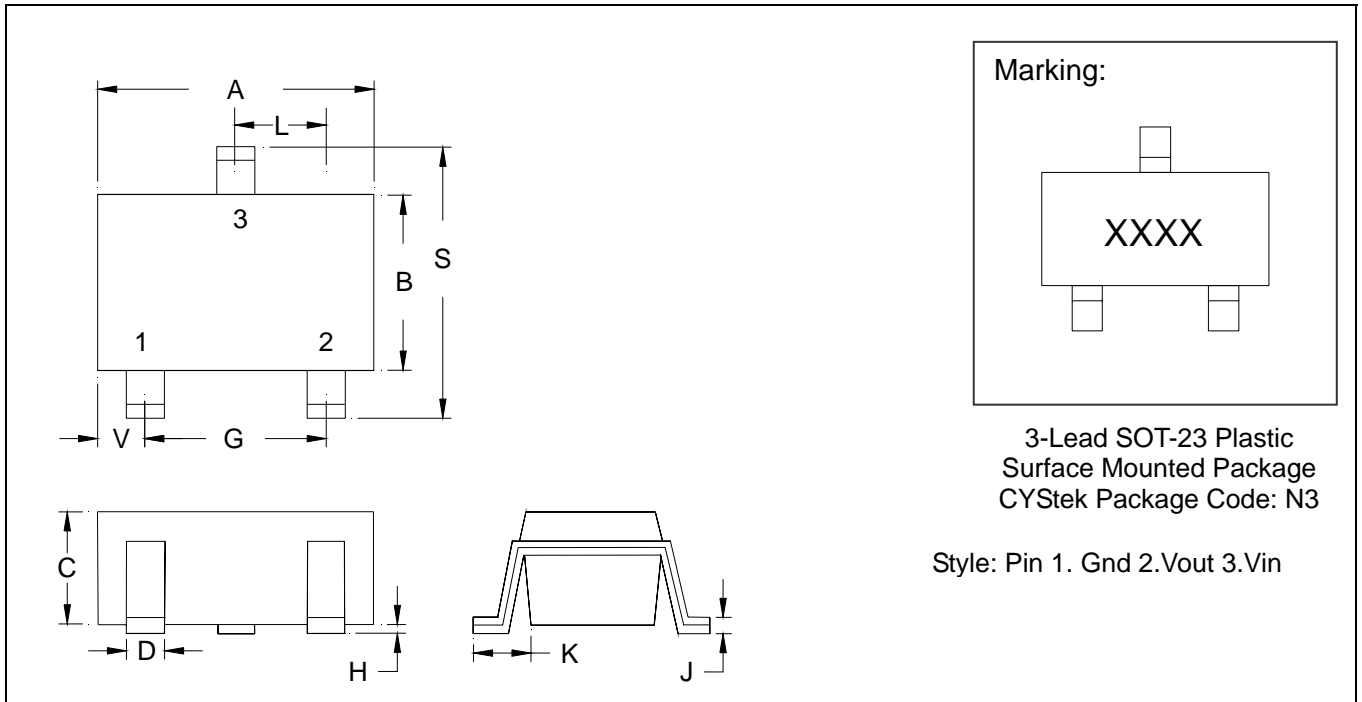
#### Circuit 1



#### Circuit 2



**SOT-23 Dimension**



\*: Typical

DIM	Inches		Millimeters		DIM	Inches		Millimeters	
	Min.	Max.	Min.	Max.		Min.	Max.	Min.	Max.
A	0.1102	0.1204	2.80	3.04	J	0.0034	0.0070	0.085	0.177
B	0.0472	0.0630	1.20	1.60	K	0.0128	0.0266	0.32	0.67
C	0.0335	0.0512	0.89	1.30	L	0.0335	0.0453	0.85	1.15
D	0.0118	0.0197	0.30	0.50	S	0.0830	0.1083	2.10	2.75
G	0.0669	0.0910	1.70	2.30	V	0.0098	0.0256	0.25	0.65
H	0.0005	0.0040	0.013	0.10					

- Notes: 1. Controlling dimension: millimeters.  
 2. Maximum lead thickness includes lead finish thickness, and minimum lead thickness is the minimum thickness of base material.  
 3. If there is any question with packing specification or packing method, please contact your local CYCtek sales office.

**Material:**

- Lead: 42 Alloy; solder plating
- Mold Compound: Epoxy resin family, flammability solid burning class: UL94V-0

**Important Notice:**

- All rights are reserved. Reproduction in whole or in part is prohibited without the prior written approval of CYStek.
- CYStek reserves the right to make changes to its products without notice.
- CYStek **semiconductor products are not warranted to be suitable for use in Life-Support Applications, or systems.**
- CYStek assumes no liability for any consequence of customer product design, infringement of patents, or application assistance.