

DAR-1 SERIES, 1WATT, 1KVDC, REGULATED

FEATURES:

- ✓ 3 years warranty
- ✓ 1000Vdc isolation voltage
- ✓ Single and dual output models
- ✓ Operating temperature range -40°C to +85°C



Model	Input voltage (Vdc)	Output voltage (Vdc)	Output current (mA)		Efficiency Typ.
			Min.	Max.	
DAR1-0511	5(4.75~5.25)	5	20	200	72%
DAR1-0512		9	11	110	72%
DAR1-0513		12	8.3	83	72%
DAR1-0514		15	6.8	68	72%
DAR1-0515		24	4.2	42	72%
DAR1-1211	12(11.4~12.6)	5	20	200	72%
DAR1-1212		9	20	110	72%
DAR1-1213		12	11	83	72%
DAR1-1214		15	8.3	68	72%
DAR1-1215		24	6.8	42	72%
DAR1-2411	24(22.8~25.2)	5	4.2	200	72%
DAR1-2412		9	20	110	72%
DAR1-2413		12	20	83	72%
DAR1-2414		15	11	68	72%
DAR1-2415		24	8.3	42	72%

Notes: other input and output models may available on request.

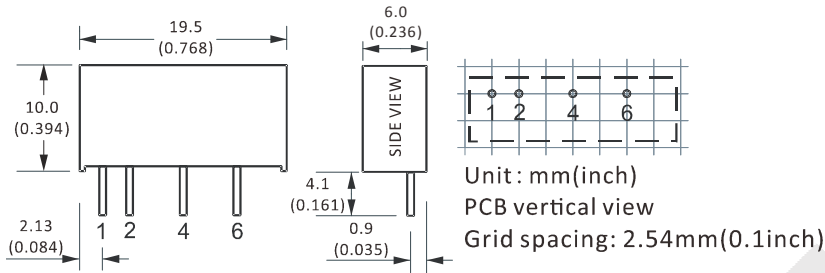
ELECTRICAL

Line regulation	---	±0.25%
Load regulation	10% ~ 100% full load	±1%
Ripple and noise	---	100mVp-p max.
Isolation voltage	---	1000Vdc
Short circuit protection	---	Continuous Short circuit protection
Operating temperature range	---	-40°C to +85°C
MTBF	---	3.5x10 ⁶ Hrs

Notes: All the data in this article are under test with "TA+25°C, humidity<75%, rated input and rated load" mode.

DAR-1 SERIES, 1WATT, 1KVDC, REGULATED

MECHANICAL

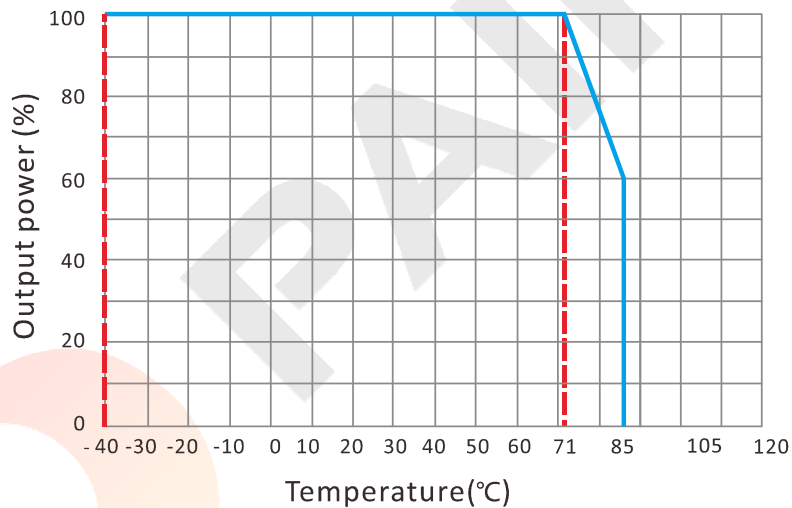


CONNECTION

PIN #	SINGLE
1	+Vin
2	GND
4	-Vo
6	+Vo

Note:
* Unit is mm(inch).

TEMPERATURE PROFILE

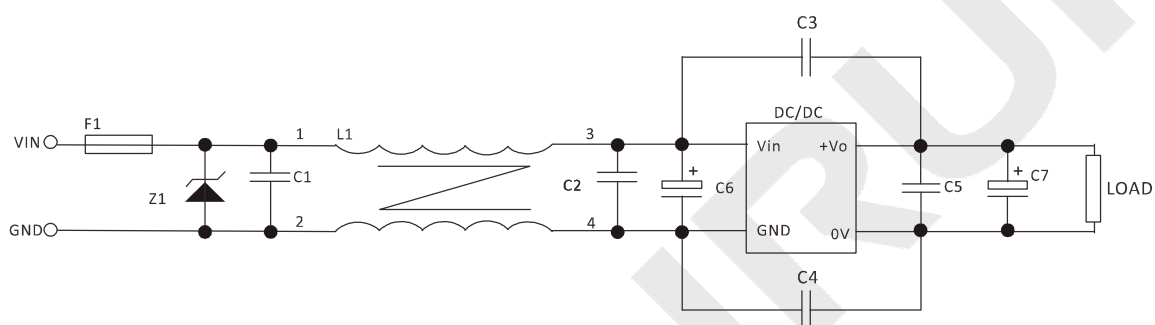


CAPACITIVE LOADS SELECTION

Vin (Vdc)	Cin (μF)	Single Output Voltage (Vdc)	Cout (μF)	Dual Output Voltage (Vdc)	Cout (μF)
5	4.7	5	10	±5	4.7
12	2.2	9	4.7	±9	2.2
24	1	12	2.2	±12	1
-	-	15/24	1	±15	0.47

DAR-1 SERIES, 1WATT, 1KVDC, REGULATED
NOTES
RECOMMENDED TEST AND APPLICATION CIRCUIT

In order to ensure the efficiency and dependability of the module, the minimum specified load must be less than 10% of rated load. If the output power is low, we recommend to add an external 10% loading resistor in parallel.



FUSE: depends on the actual input current;

TVS: depends on the actual input voltage;

Recommended capacitor: C1, C2, C5, about 0.1uF; for C6, C7, please check the capacitive load; C3, C4: 2KV/1nF.