

DESIGNED & DIMENSIONED
IN MILLIMETERS [INCHES]

DO NOT
SCALE FROM
THIS PRINT

SMA-J-C-X-ST-SR3

GENDER
-J: JACK

TYPE
-C: CABLE

TERMINATION
-SR3: SEALED REVERSE
POLARITY BULKHEAD (MH081)

ORIENTATION
-ST: STRAIGHT

PLATING SPECIFICATION
-H: HEAVY GOLD (SEE NOTES 7 & 8)
(SMA-NUT-001-F)
(SMA-LWAS-001-F)
(SMA-PIN-006-H)
(SMA-INS-016)
(SMA-J-C-F-ST-BH3-CBDY)
(SUB-SMA-J-C-F-ST-SB3)

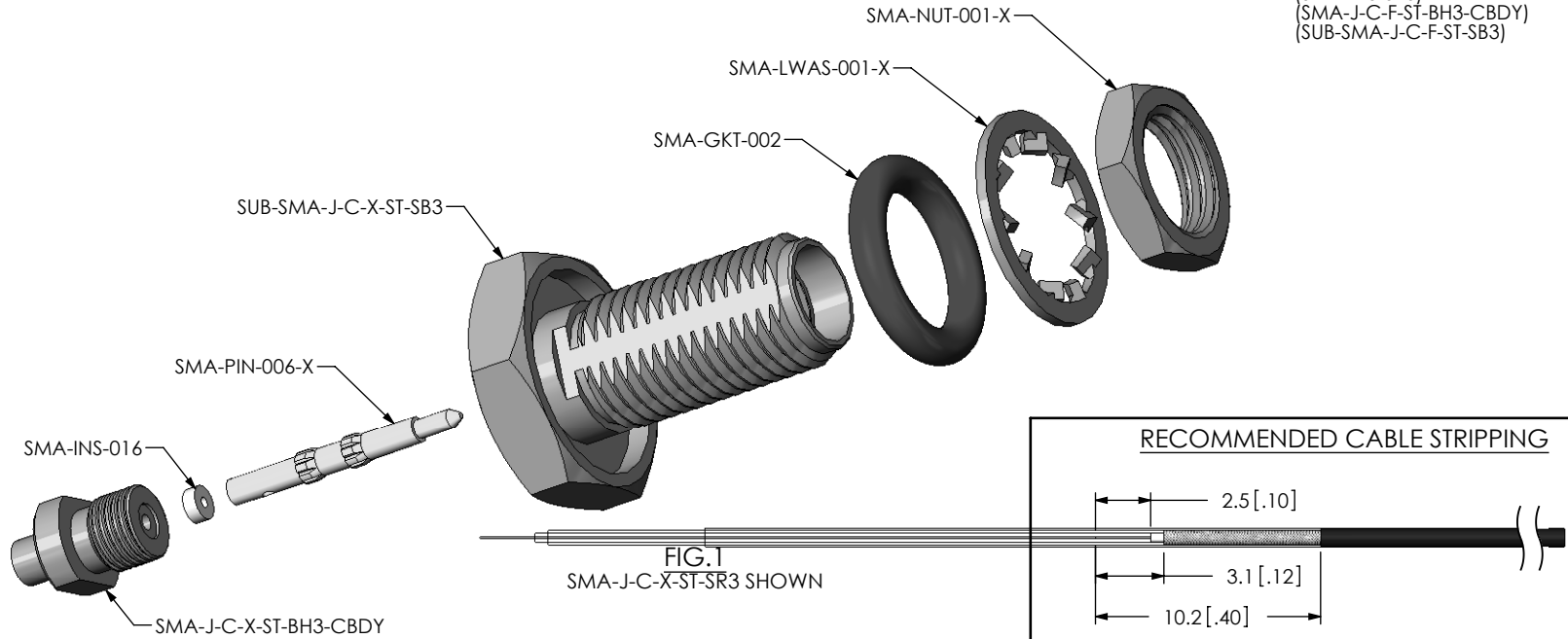
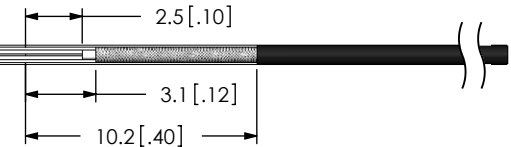


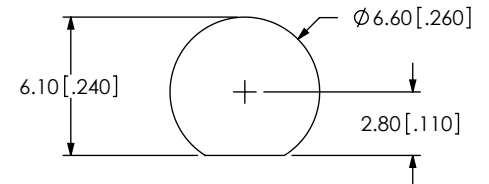
FIG.1
SMA-J-C-X-ST-SR3 SHOWN

RECOMMENDED CABLE STRIPPING



RECOMMENDED PANEL CUTOUT

3.80 [0.150] MAX. PANEL THICKNESS



NOTES:

- Ⓢ REPRESENTS A CRITICAL DIMENSION.
- CENTER CONTACT PUSHOUT FORCE = 26.69 N [6 LB] MIN.
- SEE SHEET 3 FOR TERMINATION INFORMATION.
- COMPONENTS TO BE SHIPPED UNASSEMBLED.
- SAMPLE ORDERS: TO BE PACKAGED IN INDIVIDUAL KIT FORM, PRODUCTION ORDERS: EACH COMPONENT TO BE BULK PACKAGED.
- RoHS COMPLIANT.
- PLATING: -F: .000003" MIN GOLD OVER .000050" MIN NICKEL.
-H: .000030" MIN GOLD OVER .000050" MIN NICKEL.
- ASSEMBLY PLATING DESIGNATIONS:
-H: (CENTER CONTACT)-H
(OUTER CONTACT) -F
(REMAINING METAL PARTS) -F

THIS PRODUCT MANUFACTURED WITH LEAD-FREE PROCESSING

F:\DWG\MISC\Mktg\SMA-J-C-X-ST-SR3-MKT.SLDDRW

UNLESS OTHERWISE SPECIFIED, DIMENSIONS ARE IN MILLIMETERS [INCHES]. TOLERANCES ARE:

DECIMALS	ANGLES
.X: ±0.3 [0.01]	2°
.XX: ±0.13 [0.005]	
.XXX: ±0.051 [0.0020]	

PROPRIETARY NOTE
THIS DOCUMENT CONTAINS INFORMATION CONFIDENTIAL AND PROPRIETARY TO SAMTEC, INC. AND SHALL NOT BE REPRODUCED OR TRANSFERRED TO OTHER DOCUMENTS OR DISCLOSED TO OTHERS OR USED FOR ANY PURPOSE OTHER THAN THAT WHICH IT WAS OBTAINED WITHOUT THE EXPRESSED WRITTEN CONSENT OF SAMTEC, INC.

520 PARK EAST BLVD, NEW ALBANY, IN 47150
PHONE: 812-944-6733 FAX: 812-948-5047
e-Mail: info@SAMTEC.com code 55322

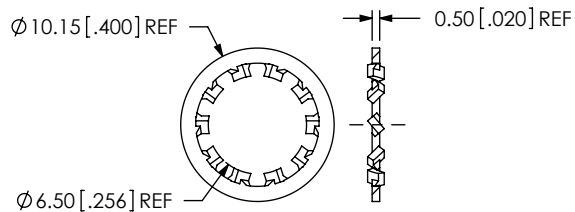
MATERIAL: DO NOT SCALE DRAWING SHEET SCALE: 3:1
SHELL, FERRULE, NUT, WASHER: BRASS
CONTACT: BRASS
DIELECTRIC: PTFE
GASKET: SILICON

DESCRIPTION:
SMA STR JACK S REV POLARITY BULKHEAD, MH081- 50 OHM

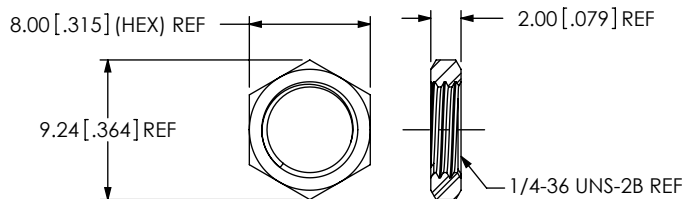
DWG. NO. **SMA-J-C-X-ST-SR3**

BY: R MUSSER 04/21/2009 SHEET 1 OF 3

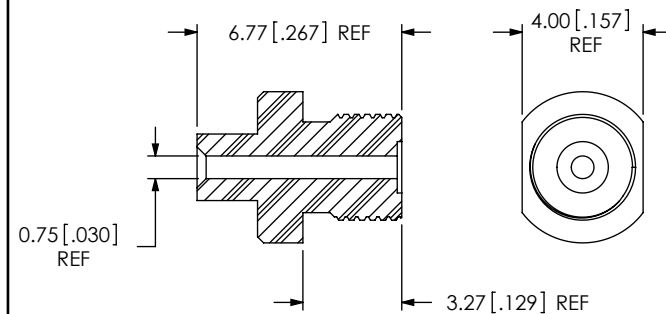
REVISION C



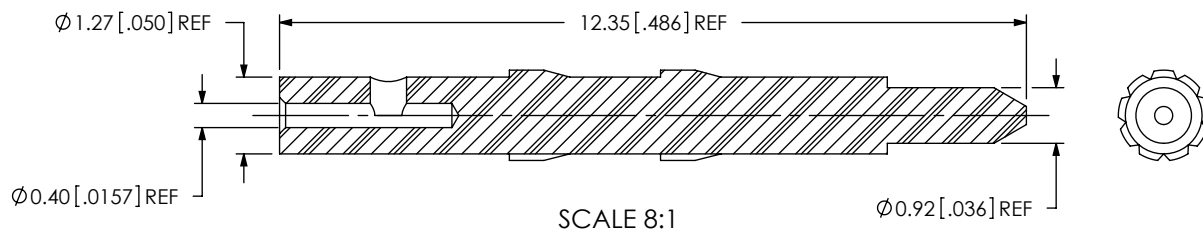
SAMTEC PART NUMBER	ITEM
SMA-LWAS-001-X	LOCK WASHER



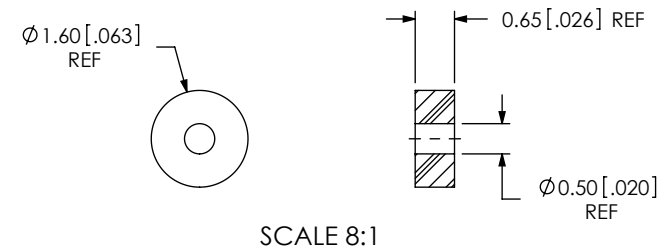
SAMTEC PART NUMBER	ITEM
SMA-NUT-001-X	HEX NUT



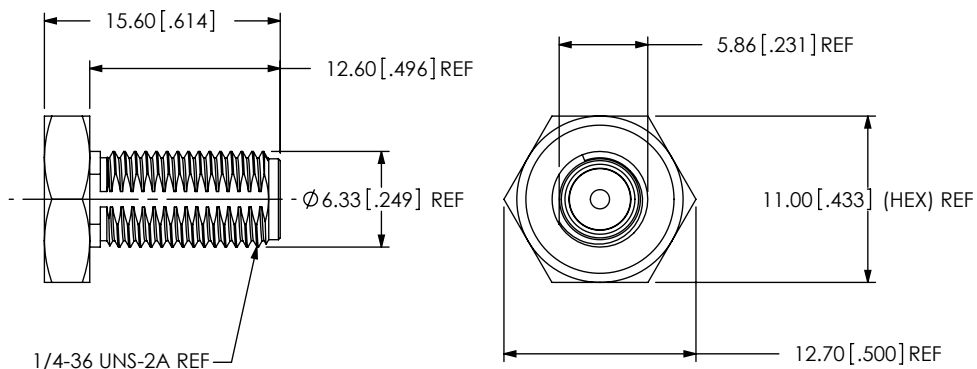
SAMTEC PART NUMBER	ITEM
SMA-J-C-X-ST-BH3-CBDY	REAR THREADED BODY



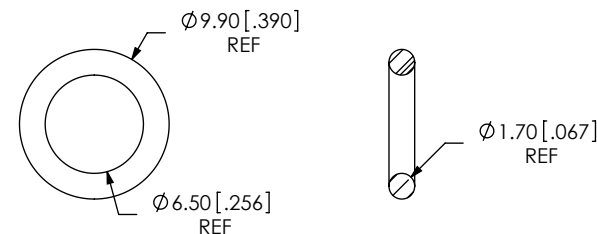
SAMTEC PART NUMBER	ITEM
SMA-PIN-006-X	PIN



SAMTEC PART NUMBER	ITEM
SMA-INS-016	INSULATOR



SAMTEC PART NUMBER	ITEM
SUB-SMA-J-C-X-ST-SB3	SUB ASSEMBLY



SAMTEC PART NUMBER	ITEM
SMA-GKT-002	GASKET

F:\DWG\MISC\Mktg\SMA-J-C-X-ST-SR3-MKT.SLDRW

PROPRIETARY NOTE

THIS DOCUMENT CONTAINS INFORMATION CONFIDENTIAL AND PROPRIETARY TO SAMTEC, INC. AND SHALL NOT BE REPRODUCED OR TRANSFERRED TO OTHER DOCUMENTS OR DISCLOSED TO OTHERS OR USED FOR ANY PURPOSE OTHER THAN THAT WHICH IT WAS OBTAINED WITHOUT THE EXPRESSED WRITTEN CONSENT OF SAMTEC, INC.

DO NOT SCALE DRAWING

SHEET SCALE: 2:1

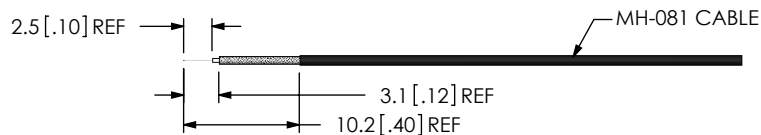
samtec

520 PARK EAST BLVD. NEW ALBANY, IN 47150
PHONE: 812-944-6733 FAX: 812-948-5047
e-Mail: info@SAMTEC.com code 55322

DESCRIPTION: SMA STR JACK S REV POLARITY BULKHEAD, MH081- 50 OHM

DWG. NO. SMA-J-C-X-ST-SR3

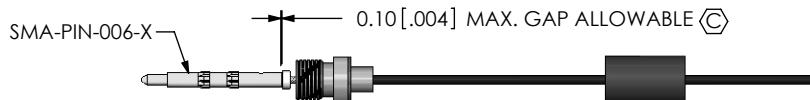
BY: R MUSSER 04/21/2009 SHEET 2 OF 3



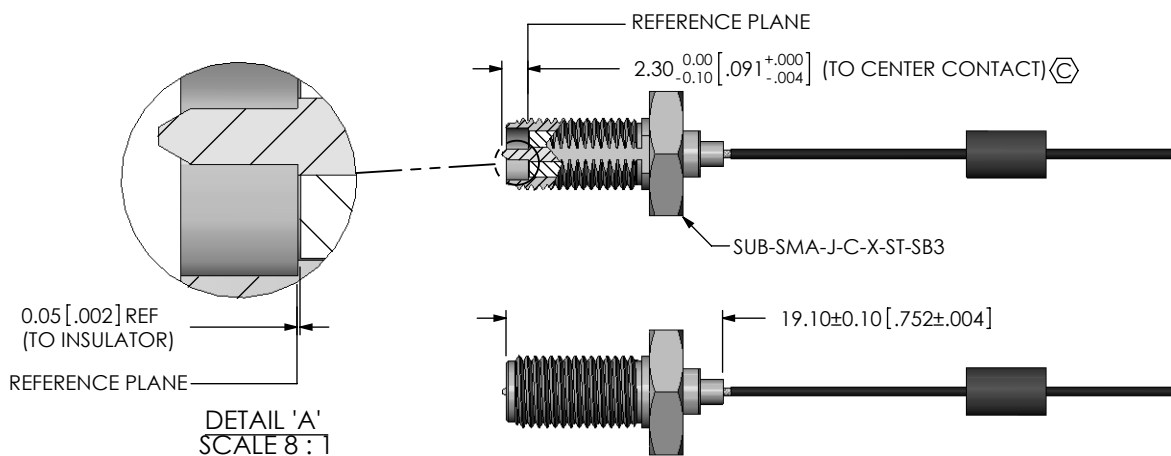
STRIP AND TIN INNER & OUTER CONDUCTOR



ADD HEAT SHRINK TUBE, REAR THREADED BODY, AND INSULATOR

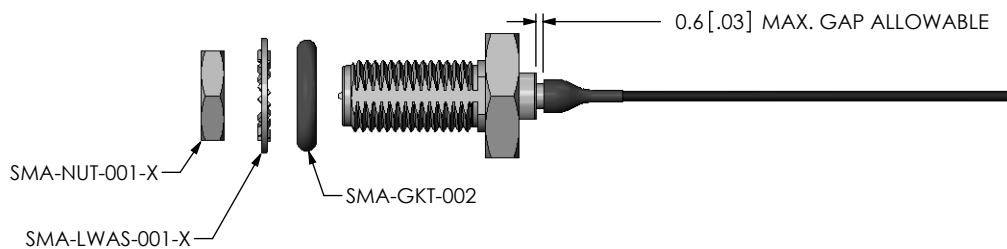


SOLDER SIGNAL PIN AND APPLY LOCTITE 680 TO THREADS



ADD SUB-SMA-J-C-X-ST-SB3 & TIGHTEN REAR-THREADED BODY TO TIGHTEN LBS (USE FIXTURE AS REQUIRED TO ASSURE CENTER CONTACT PIN LOCATION)

SOLDER SHIELD



APPLY HEAT SHRINK TUBING

F:\DWG\MISC\Mktg\SMA-J-C-X-ST-SR3-MKT.SLDDRW

PROPRIETARY NOTE

THIS DOCUMENT CONTAINS INFORMATION CONFIDENTIAL AND PROPRIETARY TO SAMTEC, INC. AND SHALL NOT BE REPRODUCED OR TRANSFERRED TO OTHER DOCUMENTS OR DISCLOSED TO OTHERS OR USED FOR ANY PURPOSE OTHER THAN THAT WHICH IT WAS OBTAINED WITHOUT THE EXPRESSED WRITTEN CONSENT OF SAMTEC, INC.

DO NOT SCALE DRAWING

SHEET SCALE: 1.5:1



520 PARK EAST BLVD, NEW ALBANY, IN 47150
PHONE: 812-944-6733 FAX: 812-948-5047
e-Mail: info@SAMTEC.com code 55322

DESCRIPTION:
SMA STR JACK S REV POLARITY BULKHEAD, MH081- 50 OHM

DWG. NO.
SMA-J-C-X-ST-SR3

BY: R MUSSER 04/21/2009 SHEET 3 OF 3