

## NEW Zener Diodes Series 1W/2W Zener Diodes Series

### Overview

These series are new developed small surface mount package zener diode series which power dissipation are 1W(DZ2W series) or 2W(DZ24 series), mainly used for surge absorption.

### Feature

- 45% mounting area comparing with conventional 1W type (DZ2W series)
- Zener voltage tolerance :  $\pm 5\%$
- Zener Voltage : 2.4V to 51V(DZ2W series)  
4.7V to 51V(DZ24 series)
- Halogen Free Package

### Application

- Surge absorption circuit
- Clipper circuit
- Constant voltage circuit

### Absolute Maximum Ratings (Ta=25°C) (Tentative)

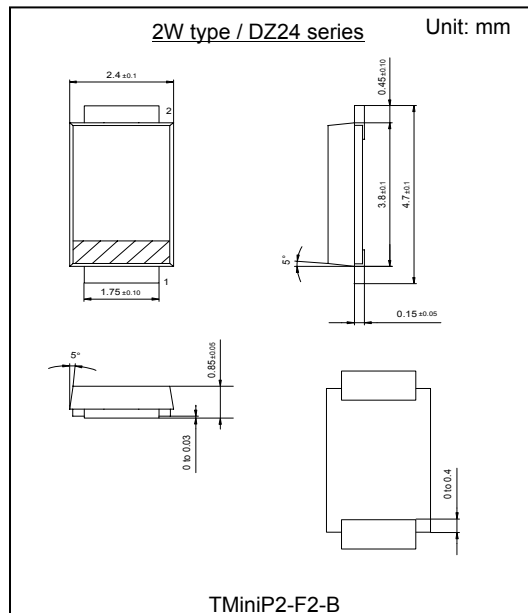
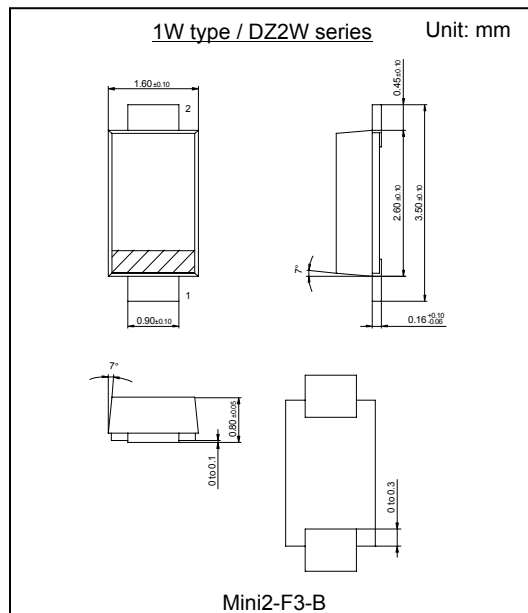
Parameter	Symbol	Rating	Unit
Power dissipation*	P <sub>T</sub>	DZ2W series	1 W
		DZ24 series	2 W
Junction temperature	T <sub>j</sub>	150	°C
Storage temperature	T <sub>stg</sub>	-55 to +150	°C

Note) \* achieved with a printed circuit board

### Common Electrical Characteristics (Ta=25°C) (Tentative)

Parameter	Symbol	Conditions	Min.	Nom.	Max.	Unit
Zener Voltage*	V <sub>Z</sub>	I <sub>Z</sub> Specified value	Please see next page			V

Note) \*Measuring methods are based on JAPANESE INDUSTRIAL STANDARD JIS C 7031 methods for diodes.



■ Absolute Maximum Ratings (Ta=25°C) (Tentative)

Part number		Zener Voltage V <sub>Z</sub> (V)			
1W type DZ2W series	2W type DZ24 series	Min.	Nom.	Max.	@I <sub>Z</sub> (mA)
DZ2W024	-	2.28	2.4	2.52	20
DZ2W027	-	2.57	2.7	2.84	20
DZ2W030	-	2.85	3.0	3.15	20
DZ2W033	-	3.14	3.3	3.47	20
DZ2W036	-	3.42	3.6	3.78	20
DZ2W039	-	3.71	3.9	4.10	20
DZ2W043	-	4.09	4.3	4.52	20
DZ2W047	DZ24047	4.47	4.7	4.94	20
DZ2W051	DZ24051	4.85	5.1	5.36	20
DZ2W056	DZ24056	5.32	5.6	5.88	20
DZ2W062	DZ24062	5.89	6.2	6.51	10
DZ2W068	DZ24068	6.46	6.8	7.14	10
DZ2W075	DZ24075	7.13	7.5	7.88	10
DZ2W082	DZ24082	7.79	8.2	8.61	10
DZ2W091	DZ24091	8.65	9.1	9.56	10
DZ2W100	DZ24100	9.50	10	10.50	10
DZ2W110	DZ24110	10.45	11	11.55	10
DZ2W120	DZ24120	11.40	12	12.60	10
DZ2W130	DZ24130	12.35	13	13.65	10
DZ2W150	DZ24150	14.25	15	15.75	10
DZ2W160	DZ24160	15.20	16	16.80	10
DZ2W180	DZ24180	17.10	18	18.90	10
DZ2W200	DZ24200	19.00	20	21.00	10
DZ2W220	DZ24220	20.90	22	23.10	10
DZ2W240	DZ24240	22.80	24	25.20	10
DZ2W270	DZ24270	25.65	27	28.35	10
DZ2W300	DZ24300	28.50	30	31.50	10
DZ2W330	DZ24330	31.35	33	34.65	10
DZ2W360	DZ24360	34.20	36	37.80	5
DZ2W390	DZ24390	37.05	39	40.95	5
DZ2W430	DZ24430	40.85	43	45.15	5
DZ2W470	DZ24470	44.65	47	49.35	5
DZ2W510	DZ24510	48.45	51	53.55	5

\*These specifications are subject to change without any notice.