

**SPECIFICATIONS**

**Mechanical**

**Contact Retention Force:** 1.36KGF min.

**Electrical**

**Current Rating:** 2.0A per pin min.

**Dielectric Withstanding Voltage:** 125V AC

**Dielectric Withstanding Voltage:** 1000V

**Insulation Resistance:** 1000MW min

**Physical**

**Housing:** High Temp. Thermoplastic, Glass Filled, UL94V-0

**Contact:** Copper Alloy

**Plating:** See "ORDERING INFORMATION"

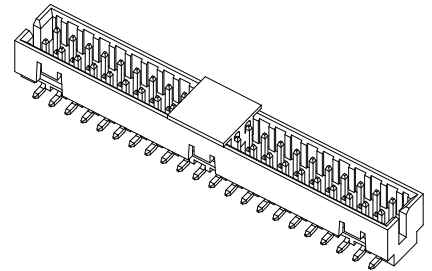
**Solder Pad:** Copper Alloy

**Operating Temperature:** -55 to +105

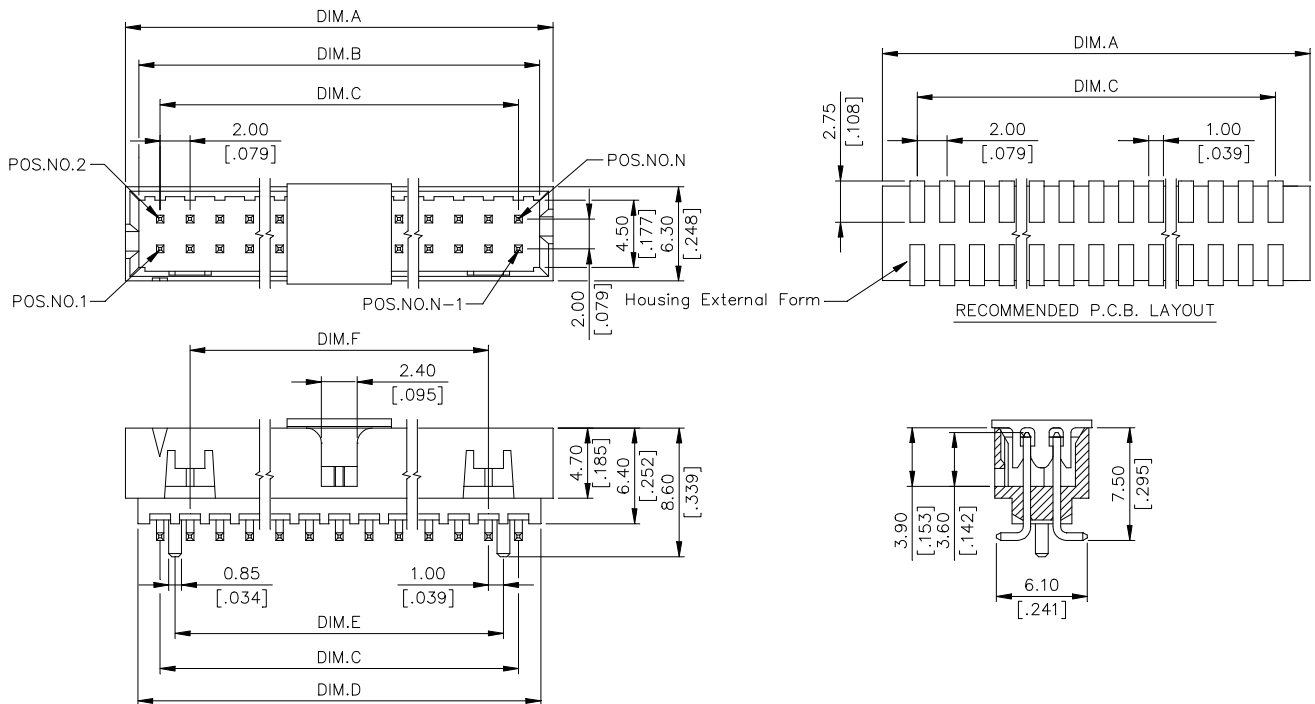
**Header Connector**

**HS55 Series**

**Vertical, SMT Type, Plug**  
**2.00mm [.079"] Pitch**



**DRAWING**



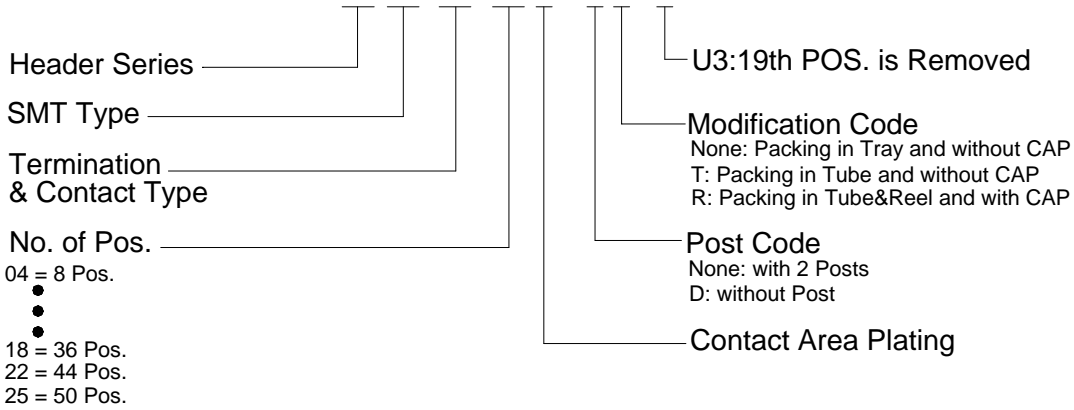
**ORDERING INFORMATION**

Please see remark 1

Please see remark 2

**Remark 1**

**PRODUCT NO.: H S 55 \*\* \* - \* \* \*\***



F=Gold Flash with Lead Free "RoHS COMPLIANCE"  
H=30u"Gold with Lead Free "RoHS COMPLIANCE"  
V=15u"Gold with Lead Free "RoHS COMPLIANCE"

**Remark 2**

HS5525*_-****	50	52.65 [2.073]	50.85 [2.002]	44.00 [1.732]	51.00 [2.008]	46.00 [1.811]	44.00 [1.732]
HS5522*_-****	44	46.65 [1.837]	44.85 [1.766]	42.00 [1.654]	45.00 [1.772]	40.00 [1.575]	38.00 [1.500]
HS5510*_-****	20	22.65 [.892]	20.85 [.821]	18.00 [.709]	21.00 [.827]	16.00 [.630]	14.00 [.551]
HS5509*_-****	18	20.65 [.813]	18.85 [.742]	16.00 [.630]	19.00 [.748]	14.00 [.551]	12.00 [.472]
HS5508*_-****	16	18.65 [.734]	16.85 [.663]	14.00 [.551]	17.00 [.669]	12.00 [.472]	10.00 [.394]
HS5507*_-****	14	16.65 [.656]	14.85 [.585]	12.00 [.472]	15.00 [.591]	10.00 [.394]	8.00 [.315]
HS5506*_-****	12	14.65 [.577]	12.85 [.506]	10.00 [.394]	13.00 [.512]	8.00 [.315]	
HS5505*_-****	10	12.65 [.498]	10.85 [.427]	8.00 [.315]	11.00 [.433]	6.00 [.236]	
HS5504*_-****	8	10.65 [.419]	8.85 [.348]	6.00 [.236]	9.00 [.354]	4.00 [.157]	
HS5503*_-****	6	8.65 [.341]	6.85 [.270]	4.00 [.157]	7.00 [.276]		
P/N	POS.	DIM.A	DIM.B	DIM.C	DIM.D	DIM.E	DIM.F