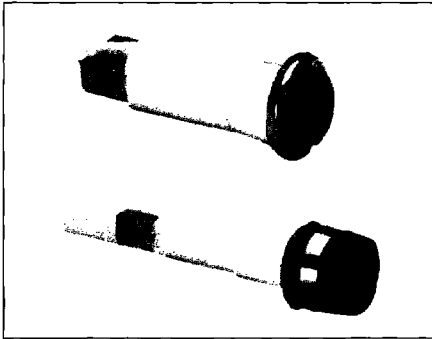


12.7mm (1/2") Series

Indicator Lights



Front panel mounting.
 Body material nylon.
 Lens material transparent polycarbonate.
 Bezels chrome plated brass.

ALTERNATIVES

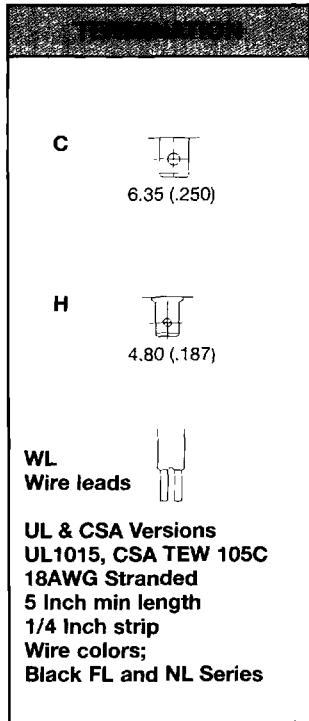
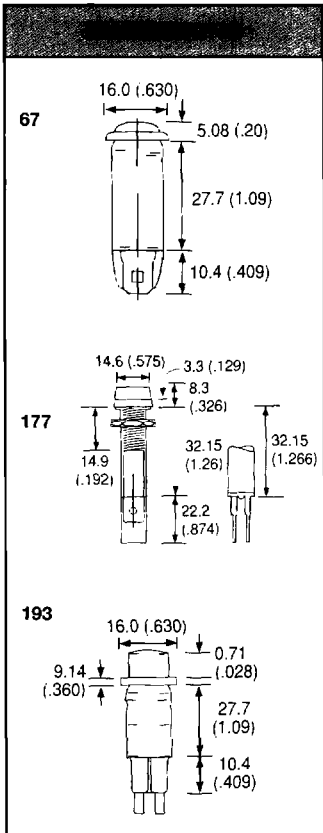
- Custom lead lengths
- Wire colors
- Custom strip lengths
- Custom lens colors
- 10.0mm Mounting dia version of 177 P/N 277

ELECTRICAL APPROVALS

UL / CSA Models made in USA
 UL E78783
 CSA LR47253

Model 177 only
 UL / CSA / VDE Models made in UK****
 UL E63363
 CSA LR29381
 VDE 6178-4200-1001

For additional approvals consult factory.



	Model 67 & 193*	Model 177
Panel cut out diameter	12.7 (.500)	12.7 (.500)
Panel Thickness* Max	1.14 (.044)	12.0 (.472)

*For thicker panels a push on internal tooth lockwasher is available.
 P/N N17

Series	Voltage	Current	Estimated Life Hrs
FL	12 AC*	80ma	15k
	28 AC*	40ma	7k
LE	1.7-28V DC	20ma	100k
NL	105-250V AC	1.2-1.9ma	25k 15k Green

*On DC approx 50% of AC LIFE.
 LED Data See Page 44

