

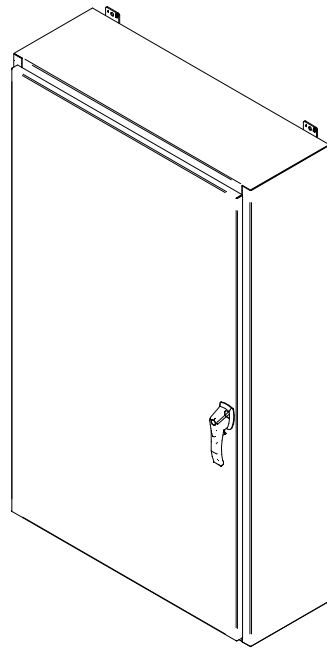


PART No. HW603612SSHK

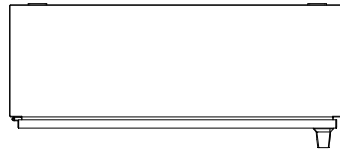
for more information visit  
[www.hammondmfg.com](http://www.hammondmfg.com)

Data subject to change without notice

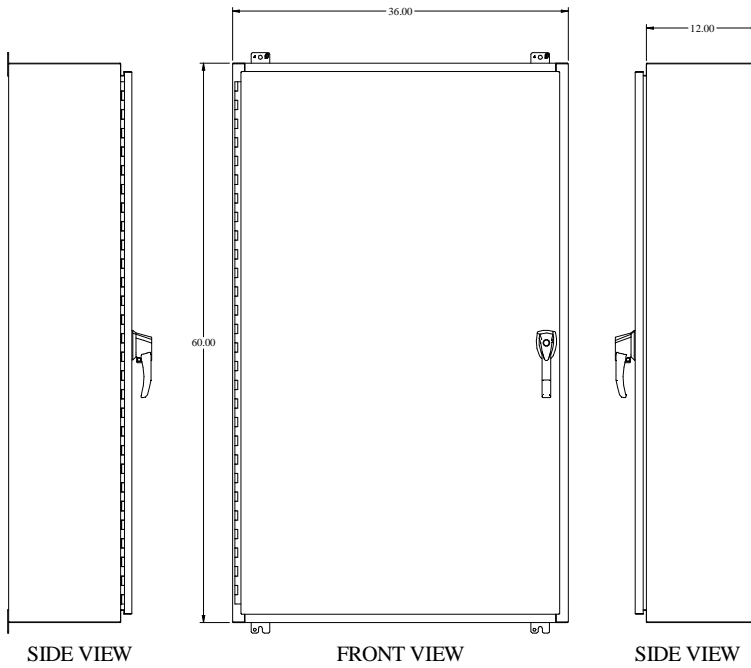
Isometric drawing Not to Scale



ISOMETRIC VIEW



TOP VIEW

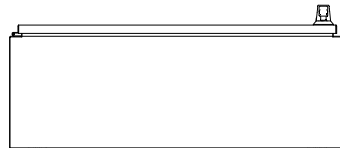


SIDE VIEW

FRONT VIEW

SIDE VIEW

REAR VIEW



BOTTOM VIEW