



WORLD PRODUCTS INC.

EVTD TECHNOLOGY (THERMALLY PROTECTED VARISTOR)



WORLD PRODUCTS INC. || 19654 Eighth Street East || P.O. Box 517 || Sonoma, CA 95476
Phone: (707) 996.5201 || FAX: (707) 996.3380 || www.worldproducts.com || sales@worldproducts.com
©2013 World Products Inc.



EVTD Technology (Thermally Protected Varistor)

Features

- High energy handling capability
- Wide voltage range available: 50VAC – 550VAC
- Multiple diagnostic options (micro-switch locations both on top & bottom, on top only or on bottom only)
- Industry standard footprint
- UL1449 and CUL 3rd Edition recognized. File #E321567*. All values presently recognized except EVTD34V300K and micro-switch location option “C” (in position (6) see below Part Numbering System), which is pending.
- RoHS compliant
- Exceeds industry standard operating and storage temperatures for this type of device. Rated at -40°C to +85°.
- Patent Pending. Except for option “C”, which is pending. (See below in position (6) Part Numbering System).



Part Numbering System

EVTD	34	V	50	K	A	S	C
(1)	(2)	(3)	(4)	(5)	(6)	(7)	(8)

(1) Series

EVTD= EV Series Varistor TD Thermal Disconnect

(2) Disk Size

34 = 34mm

(3) Type

V = High Current EV Varistor Series

(4) AC RMS Voltage Rating

50 = 50VAC

(5) Tolerance

K = ±10%

(6) Micro-switch Location Option

Nil = Top and Bottom

A = Top only

B = Bottom only

C = Top center only

**(7) Micro-switch Lead Length Option
(for “C” location only)**

Nil = Standard Long Lead (11mm ± 1mm)

S = Short Lead (5mm ± 0.5mm)

(8) Micro-switch Function Option

Nil = Normally Open

C = Normally Closed

***NOTE:** Recognized and Approved to UL1449 as a 4 surge protective device component assembly for type 2 applications, and not listed as a Surge Protective Device (this is pending).

EVTD’s are intended, in conjunction with appropriate enclosure design, to help facilitate TVSS module compliance to UL1449. Under extreme abnormal over-voltage conditions, some units will exhibit substantial heating, arcing and venting prior to opening. Modules should be designed to contain this possibility.

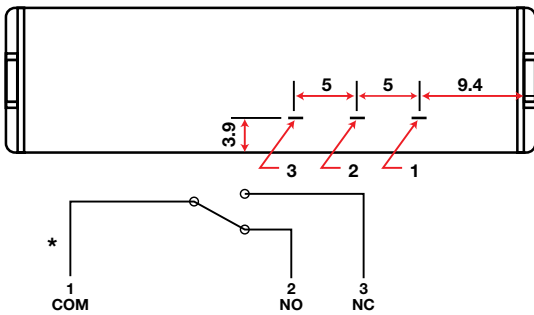
EVTD Series – Electrical Characteristics

Part Number	Maximum Continuous Rated Voltage		Varistor Voltage @1.0 mA (DC)			Maximum Clamping Voltage		Maximum Peak Current (8/20µs KA)		Maximum Energy
	AC RMS Volts	DC Volts	Min Volts	Nominal	Max Volts	VC (Volts)	IP (Amps)	15 pulses*	1 pulse	10/1000µs (joule)
EVTD34V50K	50	65	74	82	90	135	300	20	45	156
EVTD34V60K	60	85	90	100	110	165	300	20	45	195
EVTD34V75K	75	100	108	120	132	200	300	20	45	235
EVTD34V150K	150	200	222	246	270	395	300	20	50	480
EVTD34V180K	180	230	256	283	310	470	300	20	50	540
EVTD34V250K	250	320	371	410	449	650	300	20	50	830
EVTD34V275K	275	350	410	453	496	710	300	20	50	920
EVTD34V300K	300	385	423	471	517	775	300	20	50	1000
EVTD34V320K	320	415	459	510	561	845	300	20	50	1060
EVTD34V385K	385	505	558	620	682	1025	300	20	50	1250
EVTD34V420K	420	560	612	680	748	1120	300	20	50	1250
EVTD34V460K	460	615	675	750	825	1240	300	20	50	1280
EVTD34V510K	510	670	738	820	902	1355	300	20	50	1395
EVTD34V550K	550	745	819	910	1001	1500	300	20	50	1475

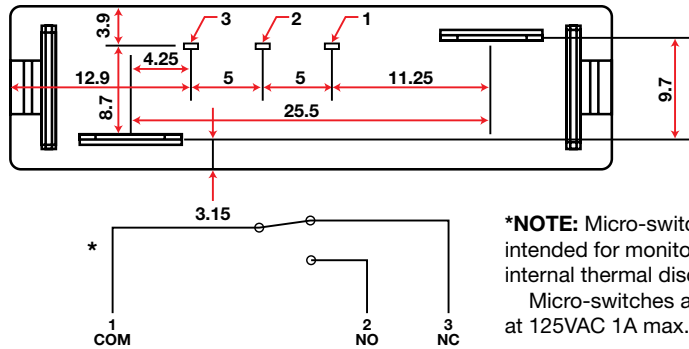
*I(n) sequencing according to UL1449 3rd Edition.

Micro-switch Location Options “A” & “B” Only.

Micro-switch (TOP)



Micro-switch (BOTTOM)

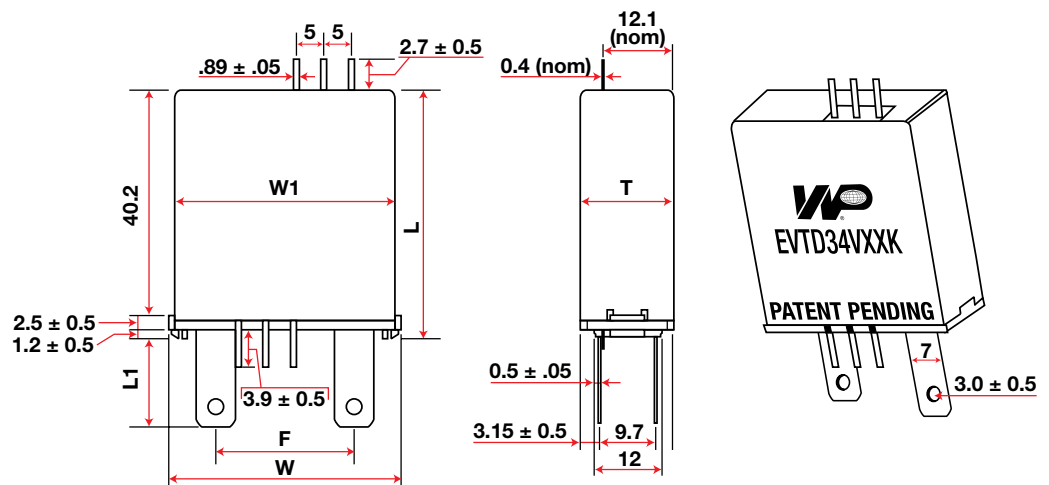


*NOTE: Micro-switches are intended for monitoring of the internal thermal disconnect. Micro-switches are rated at 125VAC 1A max.

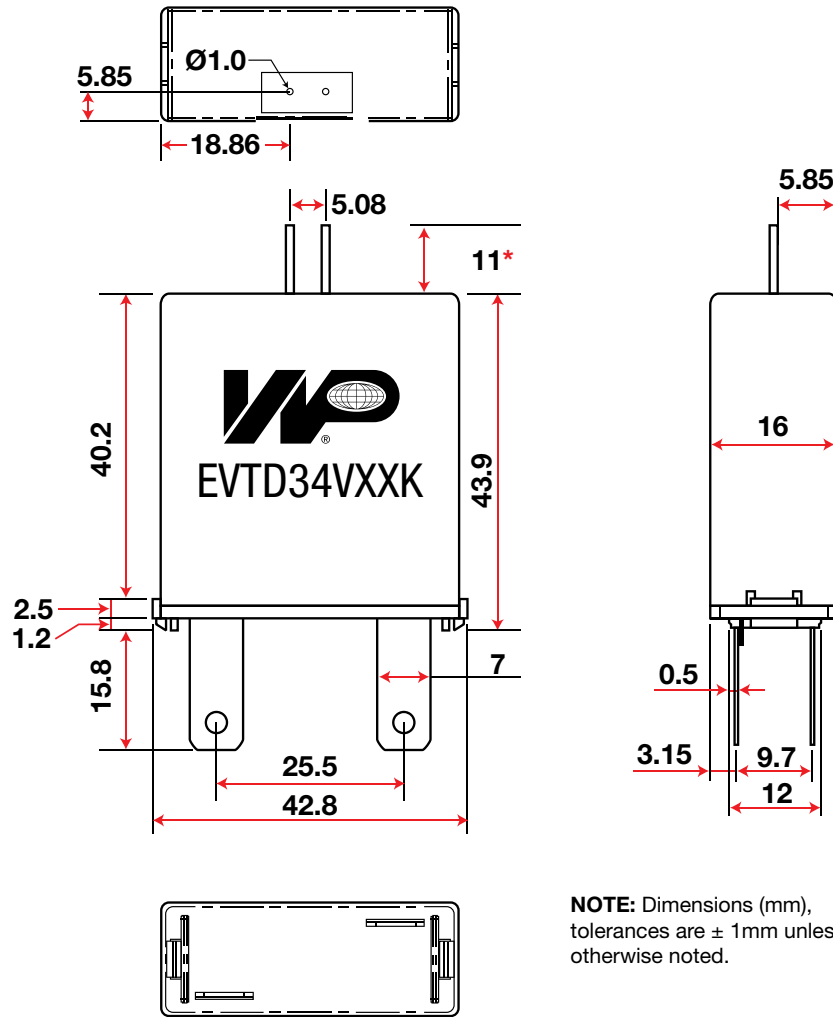
Dimensions (mm)

L	43.9
W	42.8
W1	41
T	16
F	25.5
L1	17.8

Note: Tolerance for all dimensions are +/- 1mm unless otherwise noted.



Micro-switch Location Option “C” Only.



NOTE: Dimensions (mm), tolerances are $\pm 1\text{mm}$ unless otherwise noted.

*Also available 5mm $\pm 0.5\text{mm}$. See “Part Numbering System for suffix code.