

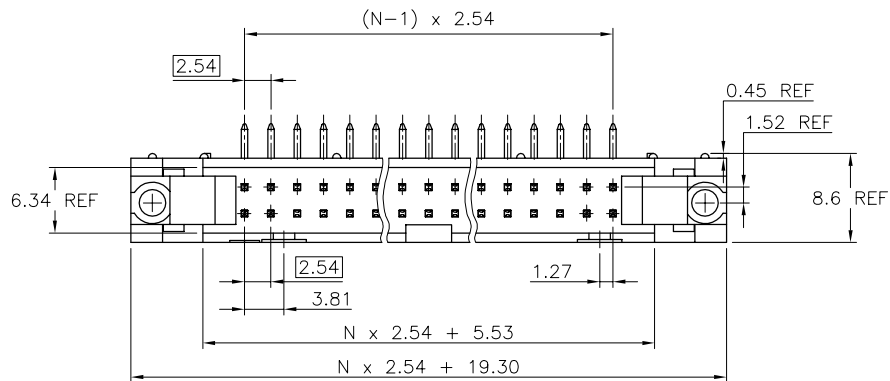
PRODUCT NUMBER

71922 - Y X X

LATCHING

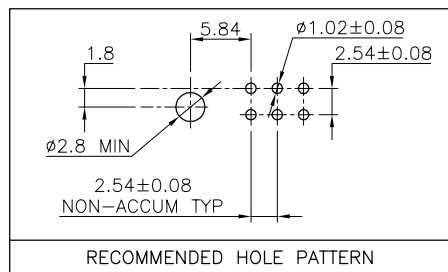
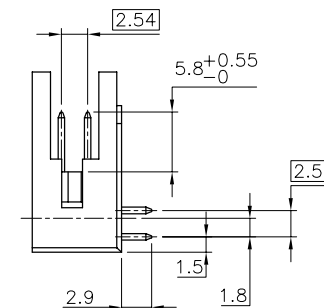
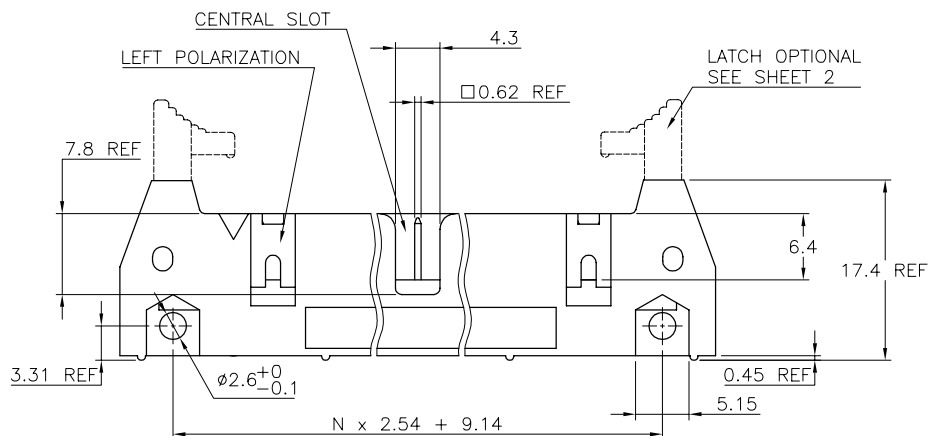
- 0 = WITHOUT LATCH
- 1 = STANDARD LATCH
- 2 = LOW PROFILE LATCH

TOTAL NB OF POSITIONS  
6 TO 64



NOTES:

- 1 - HOUSING MAT'L : GLASS FILLED THERMOPLASTIC. UL94V-0 COLOR: GREY
- 2 - PIN MATERIAL : PHOSPHOR BRONZE
- 3 - PRODUCTS PACKED IN TUBES
- 4 - 40N MIN LATCH RETENTION FORCE AT FIRST EXTRACTION
- 5 - TO DETERMINE DIMENSIONS :  
N = NUMBER OF POSITIONS PER ROW  
EXAMPLE : 8 POS N x 2.54 = 20.32mm
- 6 - NO CENTRAL SLOT ON POSITIONS 6 & 8
- 7 - NO LEFT POLARIZATION ON POSITIONS 06, 08, 10, 14.
- 8 - 4.5mm SOLDER TAIL  
ORDER 71922-4XX (WITH STANDARD LATCH ONLY)



mat'l. code		tolerances unless otherwise specified		CUSTOMER COPY		 <b>ELECTRONICS</b> www.fciconnect.com
SEE NOTES				projection		
ltr	ecn no dr	date	linear	xx ±0.3	title SHR.EL.HEADER RA DR TMT product family QUICKIE code 213 size dwg no 71922 sheet 1 of 2	
M	F04-0121	LMU 04.01.27		.xx ±0.15		
N	F04-0176	LMU 04.04.22		.xxx ±0.05		
P	F04-0325	JCO 04.08.16	angles		scale 2:1 A3	
			dr	D.LE 01.01.24		
J	F10309	DLE 01.05.10	engr	JM.C 01.01.24		
K	F03042	JCO 03.02.25	chr	JF.N 01.01.24		
L	F03-0257	LMU 03.08.31	appd	JM.C 01.01.24		
sheet index	revision	P	K			
	sheet	1	2			

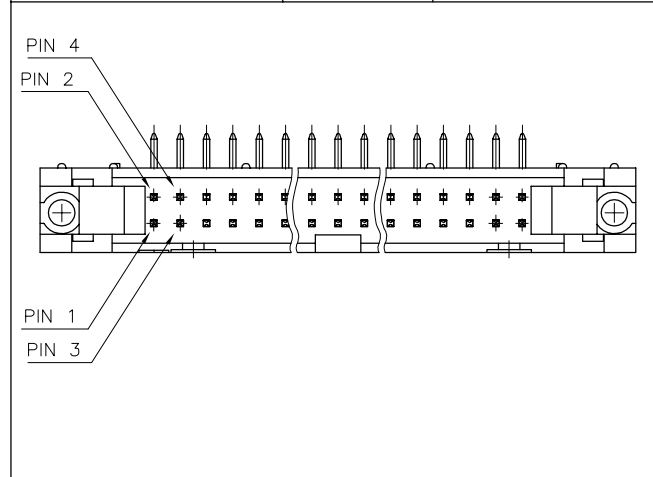
Tous droits strictement réservés. Reproduction ou communication sans autorisation écrite de FCI Electronics S.A. Droits de reproduction FCI Electronics S.A.

All rights strictly reserved. Reproduction or issue to third parties in any form is not permitted without written authority from the Property of FCI Electronics S.A. Copyright © FCI Electronics S.A.

CORE RANGE	
LATCHING	Nbr OF POSITIONS
1	06
1	08
1	10
1	14
1	16
1	18
1	20
1	26
1	30
1	34
1	40
1	44
1	50
1	60
1	64

CATALOGUE RANGE	
LATCHING	Nbr OF POSITIONS
0/2	06
0/2	08
0/2	10
0/2	14
0/2	16
0/2	18
0/2	20
0/2	26
0/2	30
0/2	34
0/2	40
0/2	44
0/2	50
0/2	60
0/2	64

APPLICATION SPECIFIC		
PRODUCT NUMBER	SIZE	MISSING PIN
71922-139	2x20	PIN 20

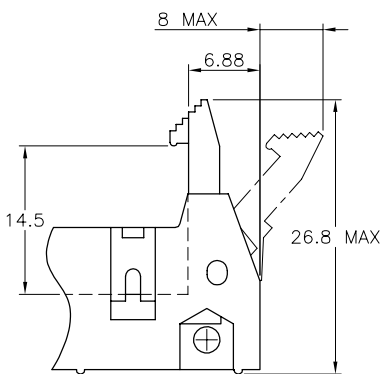


**LATCHING**  
 0 = WITHOUT LACHING  
 1 = STANDARD LATCH  
 2 = LOW PROFILE LATCH

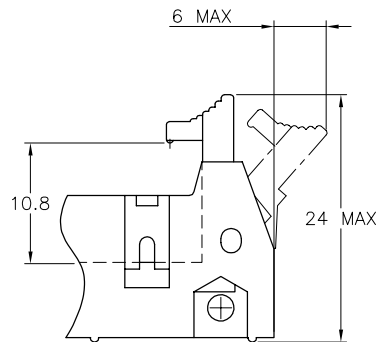
**PLATING**  
 0.76µm GOLD ON CONTACT AREA  
 3.81µm TIN/LEAD ON TAIL

**LATCHING**  
 0 = WITHOUT LACHING  
 1 = STANDARD LATCH  
 2 = LOW PROFILE LATCH

**PLATING**  
 0.76µm GOLD ON CONTACT AREA  
 3.81µm TIN/LEAD ON TAIL



1 = STANDARD LATCH



2 = LOW PROFILE LATCH

mat'l. code		tolerances unless otherwise specified		CUSTOMER COPY		<b>ELECTRONICS</b> <a href="http://www.fciconnect.com">www.fciconnect.com</a>			
ltr	ecn no dr	date	linear	.x	±0.3	projection	title		
E	F60849	PNZ 96.11.25		.xx	±0.15				SHR.EL.HEADER RA DR TMT
F	F10120	DLE 01.01.24		.xxx	±0.05				
G	F10149	LMU 01.02.22	angles				product family QUICKIE		
H	F10309	DLE 01.05.10	dr	D.LE	01.01.24			code	
J	F04-176	LMU 04.04.23	engr	JM.C	01.01.24		size dwg no		
K	F04-0325	JCO 04.08.16	chr	JF.N	01.01.24			213	
sheet index		revision sheet			scale		sheet		
					2:1		2 of -		
					A3		71922		