



Integrated Device Technology, Inc.

# 128KB/256KB SECONDARY CACHE MODULES FOR THE INTEL® i486™ PROCESSOR

IDT7MP6121  
IDT7MP6122

## FEATURES

- 128KB/256KB secondary cache module family
- Ideal for use with many Intel i486 CPU-based systems that use the industry standard chipsets
- Operates with external i486 processor speeds of 50MHz
- 64 position dual read-out SIMM (Single In-line Memory Module) with 128 leads
- Single 5V (±5%) power supply
- Multiple GND pins and decoupling capacitors for maximum noise immunity

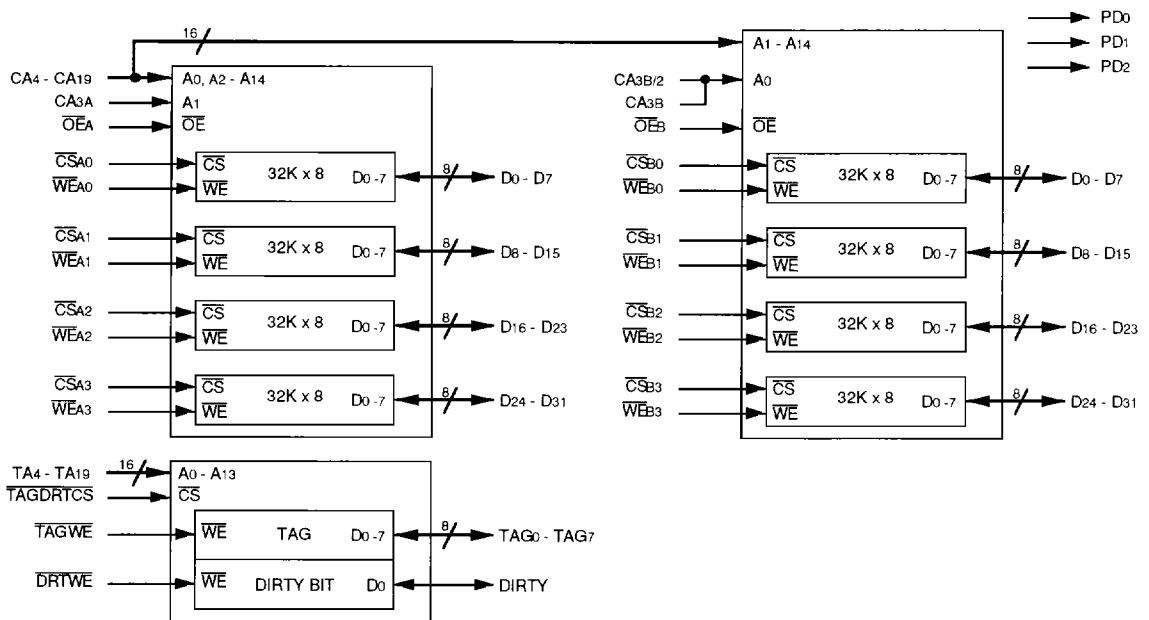
## DESCRIPTION

The IDT7MP6121/22 are members of a family of secondary caches that are ideal for use with many Intel i486 CPU-based systems. The IDT7MP6121/22 use IDT's asynchronous SRAMs in plastic surface mount packages mounted on a multilayer epoxy laminate (FR-4) board. High speeds at optimum costs are achieved using IDT's high-performance, high-reliability CMOS technology.

The dual read-out SIMM package configuration allows 128 signal leads to be placed on a package 3.85" long. Depending on which cache configuration is used, the module is a maximum of 0.35" thick and a maximum of 1.05" tall.

The IDT7MP6121/22 operate from single 5V power supply. Multiple GND pins and on-board decoupling capacitors ensure maximum protection from noise.

## FUNCTIONAL BLOCK DIAGRAM IDT7MP6122 – 256KB VERSION



The IDT logo is a registered trademark of Integrated Device Technology, Inc.  
All others are trademarks of their respective companies.

2927 drw 01

COMMERCIAL TEMPERATURE RANGE

SEPTEMBER 1993

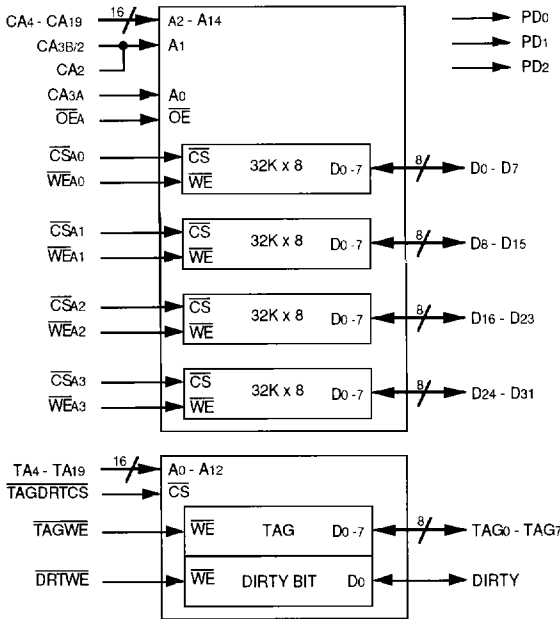
©1993 Integrated Device Technology, Inc.

7.19

DSC-7105/1

1

**FUNCTIONAL BLOCK DIAGRAM**  
**IDT7MP6121 – 128KB VERSION**



2927 drw 02

**PIN NAMES**

CA4 – CA19	Cache Address Inputs
CA2, CA3B/2, CA3A, CA3B	Bank Cache Address Inputs
D0 – D31	Cache Data Inputs/Outputs
CSA0 – CSA3	Bank A Byte Chip Select Inputs
CSB0 – CSB3	Bank B Byte Chip Select Inputs
WEA0 – WEA3	Bank A Byte Write Enable Inputs
WEB0 – WEB3	Bank B Byte Write Enable Inputs
OE <sub>A</sub>	Bank A Output Enable Input
OE <sub>B</sub>	Bank B Output Enable Input
TA4 – TA19	Tag, Dirty Bit Address Inputs
TAG0 – TAG7	Tag Data Inputs/Outputs
DIRTY	Dirty Bit Input/Output
TAGDRTCS	Tag/Dirty Chip Select Input
TAGWE	Tag Write Enable Input
DRTWE	Dirty Bit Write Enable Input
PD0 – PD2	Presence Detect Pins
N.C.	No Connect
GND	Ground
Vcc	Power Supply

2927 tbl 01

**PIN CONFIGURATION<sup>(3)</sup>**

PD0	1	65	PD1
PD2	2	66	GND
D0	3	67	D1
D2	4	68	D3
D4	5	69	VCC
D6	6	70	D5
D8	7	71	D7
GND	8	72	D9
D10	9	73	D11
D12	10	74	D13
D14	11	75	D15
D16	12	76	D17
D18	13	77	D19
D20	14	78	D21
GND	15	79	GND
D22	16	80	D23
D24	17	81	D25
VCC	18	82	VCC
D26	19	83	D27
D28	20	84	D29
D30	21	85	D31
<sup>(1)</sup> N.C.	22	86	N.C. <sup>(1)</sup>
<sup>(1)</sup> N.C.	23	87	N.C. <sup>(1)</sup>
GND	24	88	GND
CSA0	25	89	CSB0 <sup>(2)</sup>
CSA1	26	90	CSB1 <sup>(2)</sup>
CSA2	27	91	VCC
CSA3	28	92	CSB2 <sup>(2)</sup>
GND	29	93	CSB3 <sup>(2)</sup>
OE <sub>A</sub>	30	94	OE <sub>B</sub> <sup>(2)</sup>
WEA0	31	95	WEB0 <sup>(2)</sup>
WEA1	32	96	WEB1 <sup>(2)</sup>
WEA2	33	97	WEB2 <sup>(2)</sup>
WEA3	34	98	WEB3 <sup>(2)</sup>
TAGWE	35	99	DRTWE
TAGDRTCS	36	100	VCC
<sup>(1)</sup> N.C.	37	101	N.C. <sup>(1)</sup>
<sup>(1)</sup> N.C.	38	102	N.C. <sup>(1)</sup>
CA3A	39	103	CA3B/2
CA2	40	104	CA3B
GND	41	105	CA5
CA4	42	106	CA7
CA6	43	107	CA9
CA8	44	108	CA11
CA10	45	109	CA13
CA12	46	110	CA15
CA14	47	111	CA17
CA16	48	112	CA19
CA18	49	113	GND
GND	50	114	TA5
TA4	51	115	TA7
TA6	52	116	TA9
TA8	53	117	TA11
TA10	54	118	TA13
TA12	55	119	TA15
TA14	56	120	TA17
TA16	57	121	TA19
TA18	58	122	GND
GND	59	123	TAG1
TAG0	60	124	TAG3
TAG2	61	125	TAG5
TAG4	62	126	TAG7
TAG6	63	127	VCC
DIRTY	64	128	

**DUAL READ-OUT SIMM  
TOP VIEW**

**NOTES:**

1. These pins are reserved for future use. Please consult the factory for details.
2. These pins are N.C. (no connect) on the IDT7MP6121 module.
3. The module pinout supports cache sizes up to 1MB.

2927 drw 03



**PRESENCE DETECT TABLE**

PD2	PD1	PD0	Size	Module
N.C.	N.C.	N.C.	—	no cache present
N.C.	N.C.	GND	—	reserved
N.C.	GND	N.C.	—	reserved
N.C.	GND	GND	128KB	IDT7MP6121
GND	N.C.	N.C.	256KB	IDT7MP6122
GND	N.C.	GND	—	reserved
GND	GND	N.C.	—	reserved
GND	GND	GND	—	reserved

2927 tbl 02

**CAPACITANCE<sup>(1, 2)</sup>**

(TA = +25°C, f = 1.0 MHz)

Symbol	Parameter <sup>(1)</sup>	Condition	7MP6121/22	Unit
C <sub>IN1</sub>	Input Capacitance (Data Address)	V <sub>IN</sub> = 0V	50/95	pF
C <sub>IN2</sub>	Input Capacitance (Tag Address, TAGDRTCS)	V <sub>IN</sub> = 0V	20	pF
C <sub>IN3</sub>	Input Capacitance (OE <sub>A</sub> , OE <sub>B</sub> )	V <sub>IN</sub> = 0V	50	pF
C <sub>IN4</sub>	Input Capacitance (All other controls)	V <sub>IN</sub> = 0V	14	pF
C <sub>I/O1</sub>	Data I/O Capacitance	V <sub>OUT</sub> = 0V	14/25	pF
C <sub>I/O2</sub>	Tag I/O Capacitance	V <sub>OUT</sub> = 0V	12	pF

**NOTES:**

1. These parameters are guaranteed by design but not tested.
2. These parameters are maximum values.

2927 tbl 03

**RECOMMENDED DC OPERATING CONDITIONS<sup>(1)</sup>**

Symbol	Parameter	Min.	Typ.	Max.	Unit
V <sub>CC</sub>	Supply Voltage	4.75	5.0	5.25	V
GND	Supply Voltage	0	0	0.0	V
V <sub>IH</sub>	Input High Voltage	2.2	—	6.0	V
V <sub>IL</sub>	Input Low Voltage	-0.5 <sup>(1)</sup>	—	0.8	V

**NOTE:**

1. V<sub>IL</sub> = -3.0V for pulse width less than 5ns.

2927 tbl 04

**RECOMMENDED OPERATING TEMPERATURE AND SUPPLY VOLTAGE**

Grade	Ambient Temperature	GND	V <sub>CC</sub>
Commercial	0°C to +70°C	0V	5.0V

2927 tbl 05

**ABSOLUTE MAXIMUM RATINGS**

Symbol	Rating	Value	Unit
V <sub>TERM</sub>	Terminal Voltage with Respect to GND	-0.5 to +7.0	V
T <sub>A</sub>	Operating Temperature	0 to +70	°C
T <sub>BIAS</sub>	Temperature Under Bias	-10 to +85	°C
T <sub>STG</sub>	Storage Temperature	-55 to +125	°C
I <sub>OUT</sub>	DC Output Current	50	mA

**NOTE:**

Stresses greater than those listed under ABSOLUTE MAXIMUM RATINGS may cause permanent damage to the device. This is a stress rating only and functional operation of the device at these or any other conditions above those indicated in the operational sections of this specification is not implied. Exposure to absolute maximum rating conditions for extended periods may affect reliability.

2927 tbl 06

**DC ELECTRICAL CHARACTERISTICS**

(V<sub>CC</sub> = 5.0V ± 5%, T<sub>A</sub> = 0°C to 70°C)

Symbol	Parameter	Test Condition	7MP6121/22 Min.	7MP6121/22 Max.	Unit
I <sub>LI</sub>	Input Leakage Current (Data)	V <sub>CC</sub> = Max, V <sub>IN</sub> = GND to V <sub>CC</sub>	—	10/20	μA
I <sub>LI</sub>	Input Leakage Current (Data Address)	V <sub>CC</sub> = Max, V <sub>IN</sub> = GND to V <sub>CC</sub>	—	40/80	μA
I <sub>LI</sub>	Input Leakage Current (Tag Address, TAGDRTCS)	V <sub>CC</sub> = Max, V <sub>IN</sub> = GND to V <sub>CC</sub>	—	20	μA
I <sub>LI</sub>	Input Leakage Current (OE <sub>A</sub> , OE <sub>B</sub> )	V <sub>CC</sub> = Max, V <sub>IN</sub> = GND to V <sub>CC</sub>	—	40	μA
I <sub>LI</sub>	Input Leakage Current (Control)	V <sub>CC</sub> = Max, V <sub>IN</sub> = GND to V <sub>CC</sub>	—	10	μA
I <sub>LO</sub>	Output Leakage Current (Data)	V <sub>OUT</sub> = 0V to V <sub>CC</sub> , V <sub>CC</sub> = Max., CS ≥ V <sub>IH</sub>	—	10/20	μA
I <sub>LO</sub>	Output Leakage Current (Tag)	V <sub>OUT</sub> = 0V to V <sub>CC</sub> , V <sub>CC</sub> = Max., CS ≥ V <sub>IH</sub>	—	10	μA
V <sub>OL</sub>	Output Low Voltage	I <sub>OL</sub> = 8mA, V <sub>CC</sub> = Min.	—	0.4	V
V <sub>OH</sub>	Output High Voltage	I <sub>OH</sub> = -4mA, V <sub>CC</sub> = Min.	2.4	—	V
I <sub>CC</sub>	Operating Power Supply Current	V <sub>CC</sub> = Max., CS ≤ V <sub>IL</sub> , f = f <sub>MAX</sub> , Outputs Open	—	935/1525	mA
I <sub>SB</sub>	Standby Supply Current	V <sub>CC</sub> = Max., CS ≥ V <sub>IH</sub> , f = f <sub>MAX</sub> , Outputs Open	—	300/510	mA
I <sub>SB1</sub>	Full Standby Supply Current	V <sub>CC</sub> = Max., CS ≥ V <sub>CC</sub> - 0.2V, f = 0, V <sub>IN</sub> > V <sub>CC</sub> - 0.2V or < 0.2V	—	115/200	mA

2927 tbl 07

**SRAM CYCLE TIMES<sup>(1, 2)</sup>**

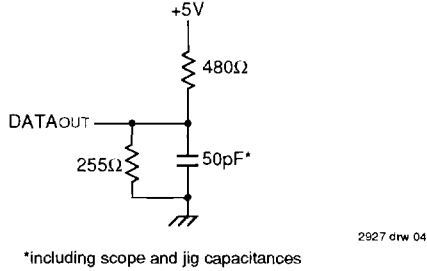
Module Speed	Size	Data	Tag	Dirty
33MHz	128KB	20ns	15ns	15ns
33MHz	256KB	20ns	15ns	15ns

**NOTES:** 2927 tbi 06  
 1. Cycle times are for the SRAMs themselves used on the module.  
 Modules are tested for function only.  
 2. Please consult the factory regarding other speeds.

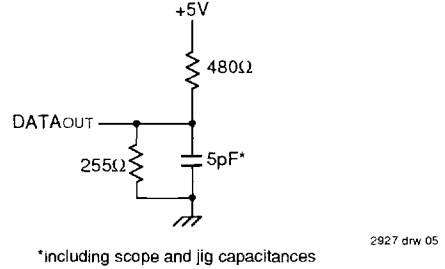
**AC TEST CONDITIONS**

Input Pulse Levels	GND to 3.0V
Input Rise/Fall Times	5ns
Input Timing Reference Levels	1.5V
Output Reference Levels	1.5V
Output Load	See Figures 1 and 2

2927 tbi 03



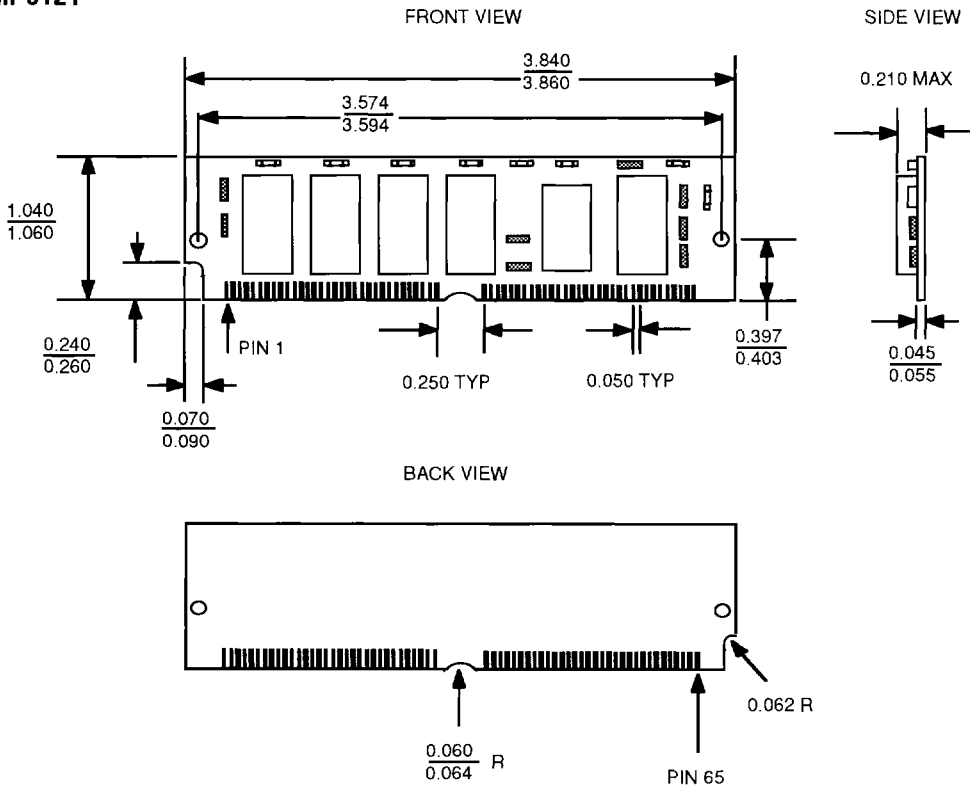
**Figure 1. Output Load**



**Figure 2. Output Load**  
(for tOHZ, tCHZ, tOLZ and tCLZ)

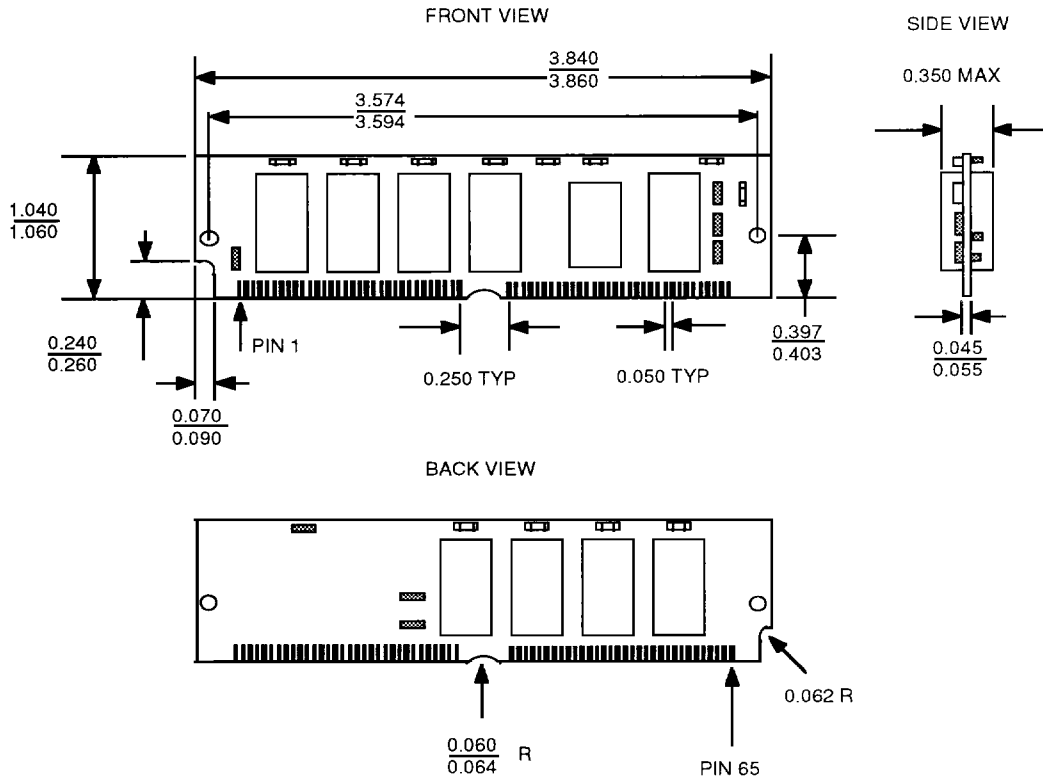
**PACKAGE DIMENSIONS**

**7MP6121**



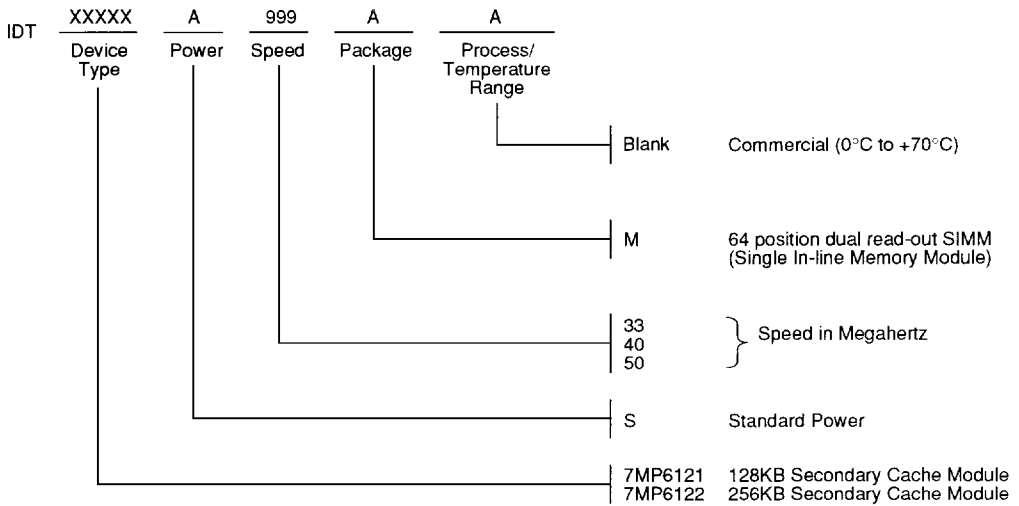
7

7MP6122



2927 drw 07

ORDERING INFORMATION



2927 drw 08