

**60**mm sq.

# San Ace 60

15mm thick (GA type), 15mm thick  
 20mm thick (GA type), 20mm thick  
**25mm thick (S type), 25mm thick (G type)**  
 25mm thick, 25mm thick (San Cooler)  
 38mm thick (GA type), 38mm thick (GV type)  
 38mm thick (G type)



## General Specifications

- Material ..... Frame: Plastics (Flammability: UL94V-0),  
 Impeller: Plastics (Flammability: UL94V-1)
- Expected Life ..... Refer to specifications (L10:Survival rate:90% at 60°C ,  
 rated voltage, and continuously run in a free air state)
- Lead Wire ..... ⊕red ⊖black (Sensor) yellow
- Storage Temperature ..... -30°C to +70°C (Non-condensing)

**60×60×25mm** [Mass : 55g] **S type** **Silent Fan**

## Specifications

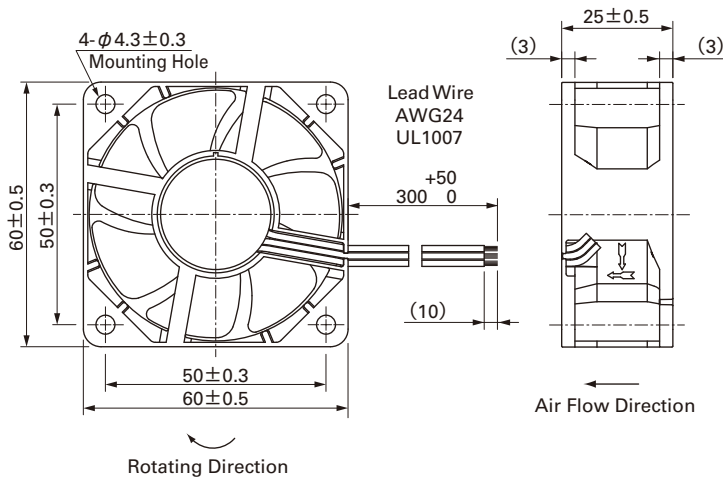
The following nos. **have pulse sensors and ribs**. For ribless, append "1" to the model no.

Model No.	Rated Voltage [V]	Operating Voltage Range [V]	Rated Current [A]	Rated Input [W]	Rated Speed [min <sup>-1</sup> ]	Max. Air Flow [m <sup>3</sup> /min] [CFM]	Max. Static Pressure [Pa] [inchH <sub>2</sub> O]	SPL [dB(A)]	Operating Temperature [°C]	Expected Life [h]		
<b>9S0612S401</b>	12	5.0 to 13.8	0.20	2.40	5,000	0.74	26.1	65.7	0.26	31	-10 to +70	40,000
<b>9S0612H401</b>			0.11	1.32	3,900	0.58	20.5	40.0	0.16	24		
<b>9S0612F401</b>		6.0 to 13.8	0.08	0.96	3,300	0.49	17.3	29.3	0.12	20		
<b>9S0612M401</b>			0.07	0.84	2,700	0.40	14.1	19.7	0.08	16		

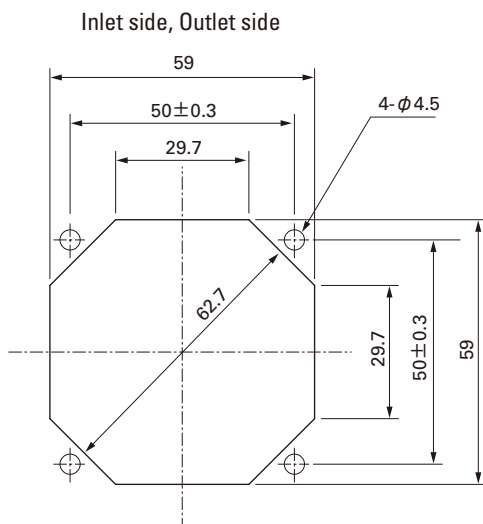
Available options: ⇒ **Without Sensor**

Please inquire as the availability of these functions depend on the model. ⇒ **Lock Sensor** **PWM Control**

## Dimensions (Unit : mm) (With ribs)



## Reference dimension of mounting holes and vent opening (Unit : mm)

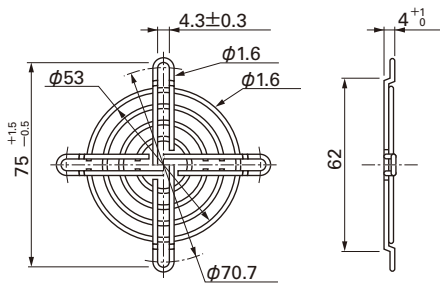


## Options (Unit : mm)

### Finger guards

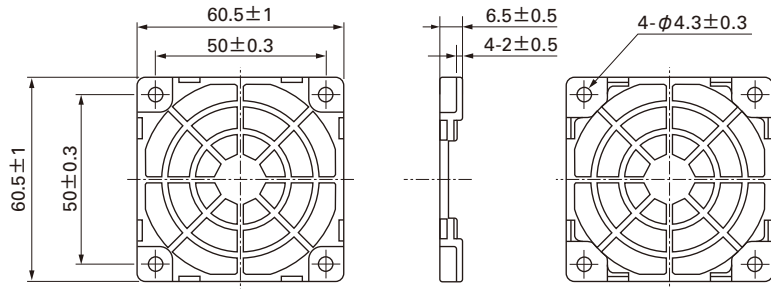
Model : 109-139E Surface treatment : Nickel-chrome plating (silver) Color : Silver  
 : 109-139H : Cation electropainting (black)

Inlet side, Outlet side



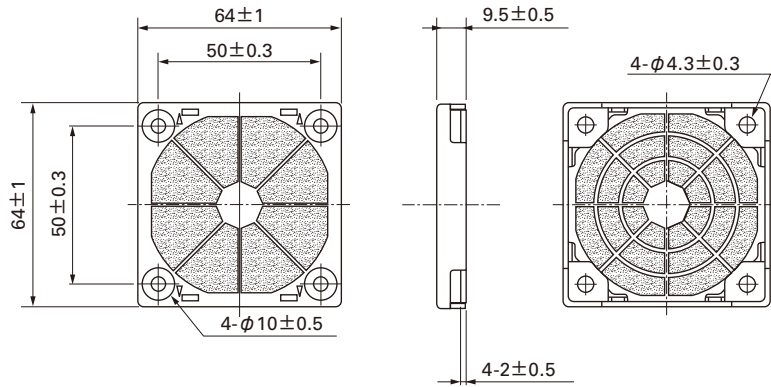
### Resin finger guards

Model : 109-1003G

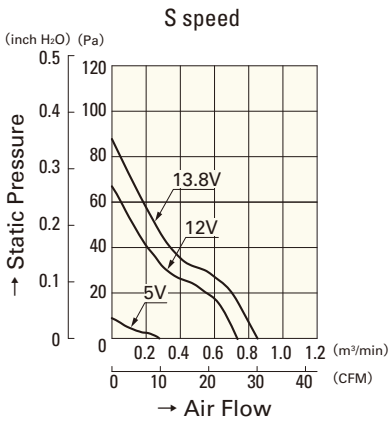


### Resin filter kits

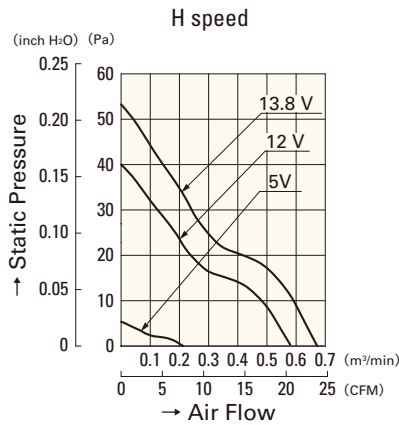
Model : 109-1003F13 (13PPI), 109-1003F20 (20PPI)  
 : 109-1003F30 (30PPI), 109-1003F40 (40PPI)



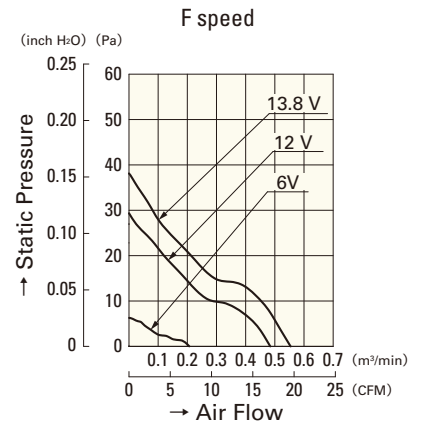
## Air Flow - Static Pressure Characteristics



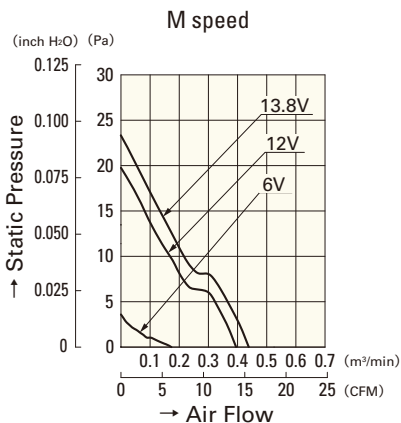
**9S0612S401**



**9S0612H401**



**9S0612F401**



**9S0612M401**