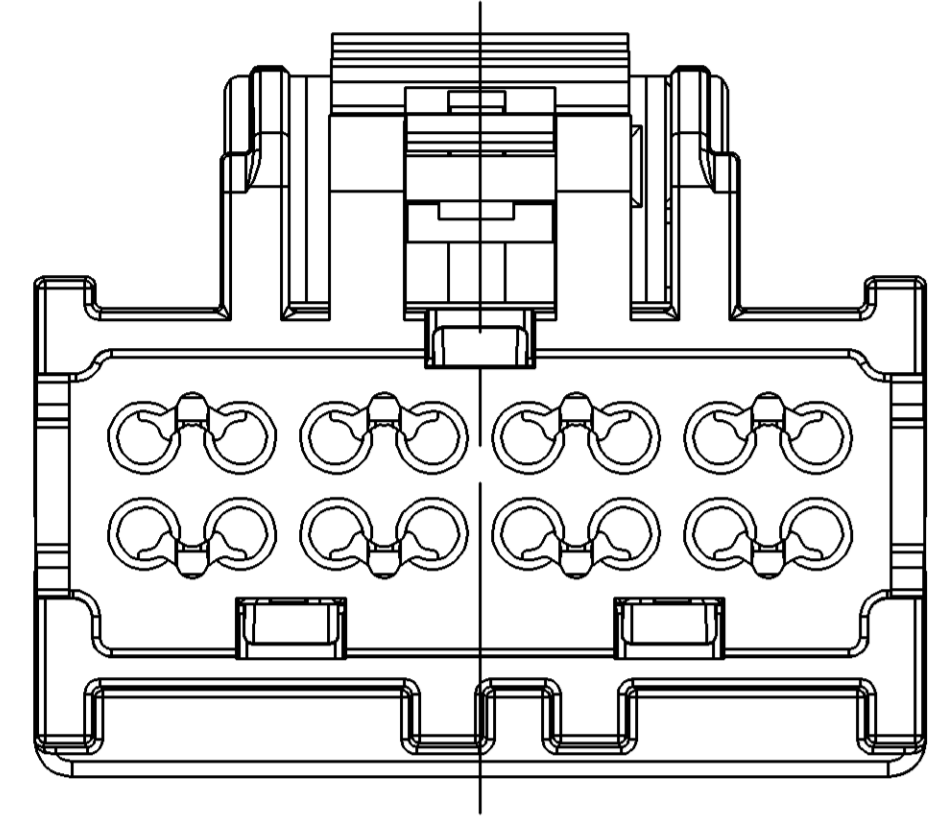
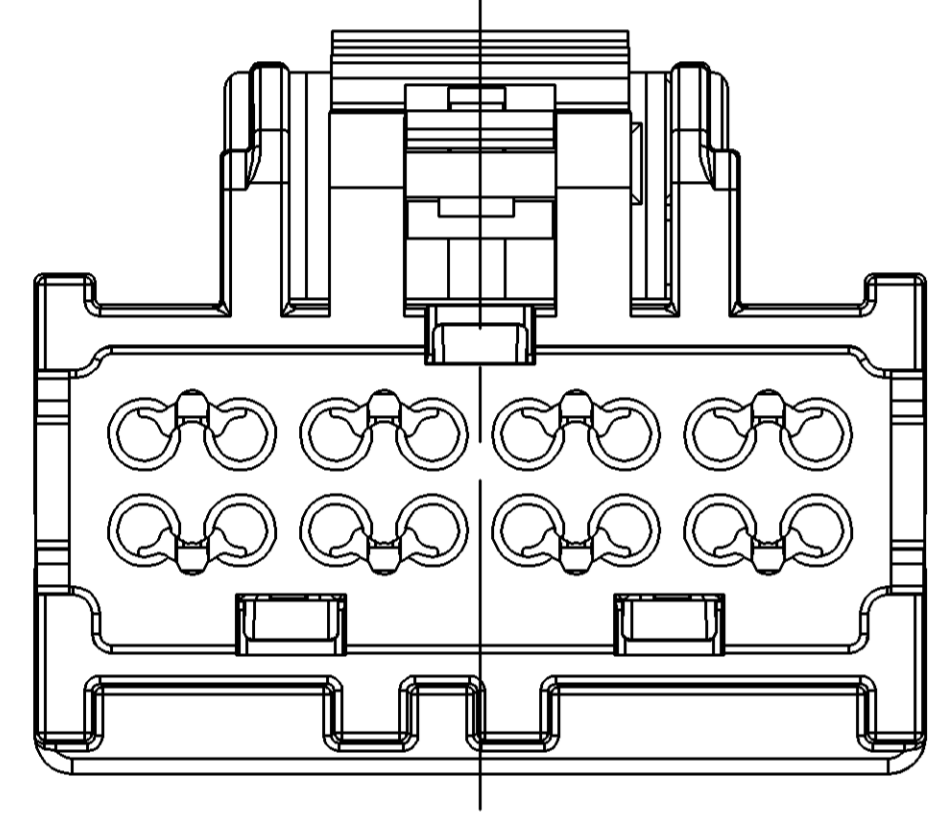


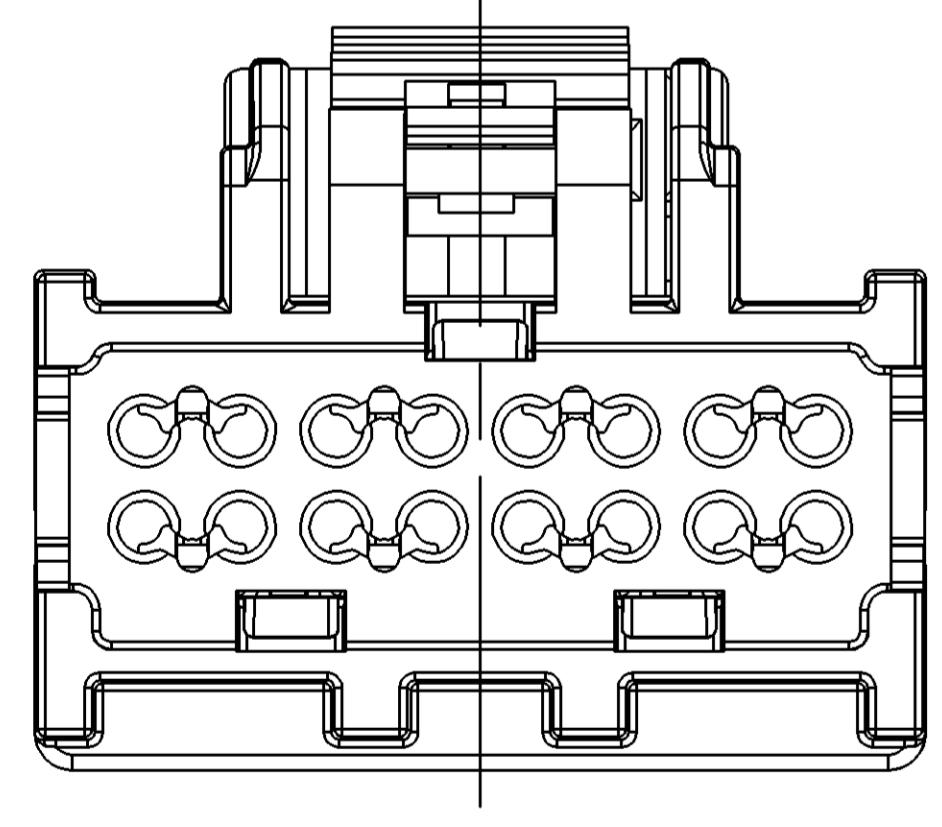
TYPE 102
SAME AS TYPE 101
EXCEPT AS SHOWN



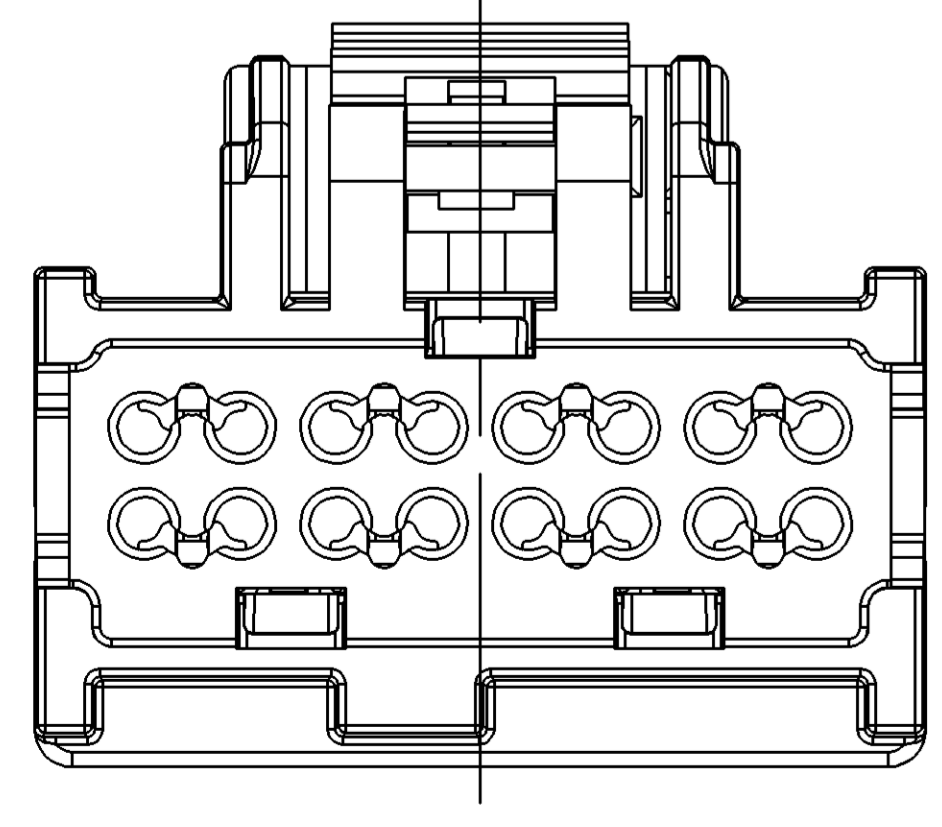
TYPE 103
SAME AS TYPE 101
EXCEPT AS SHOWN



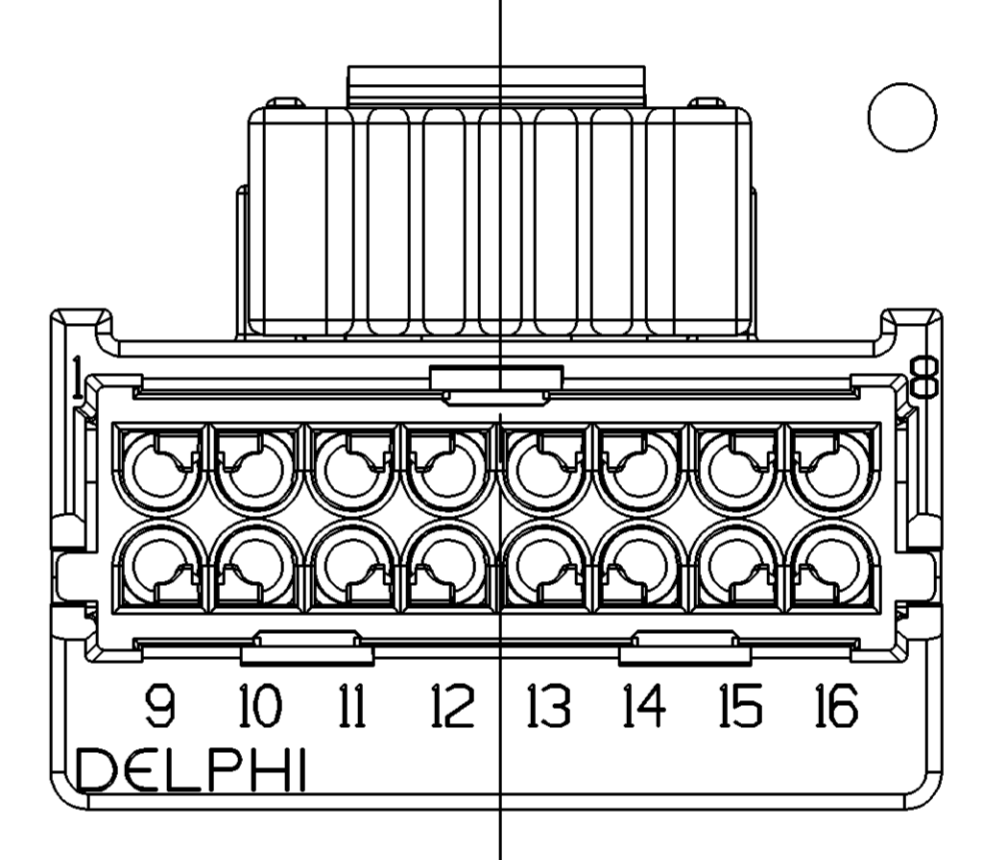
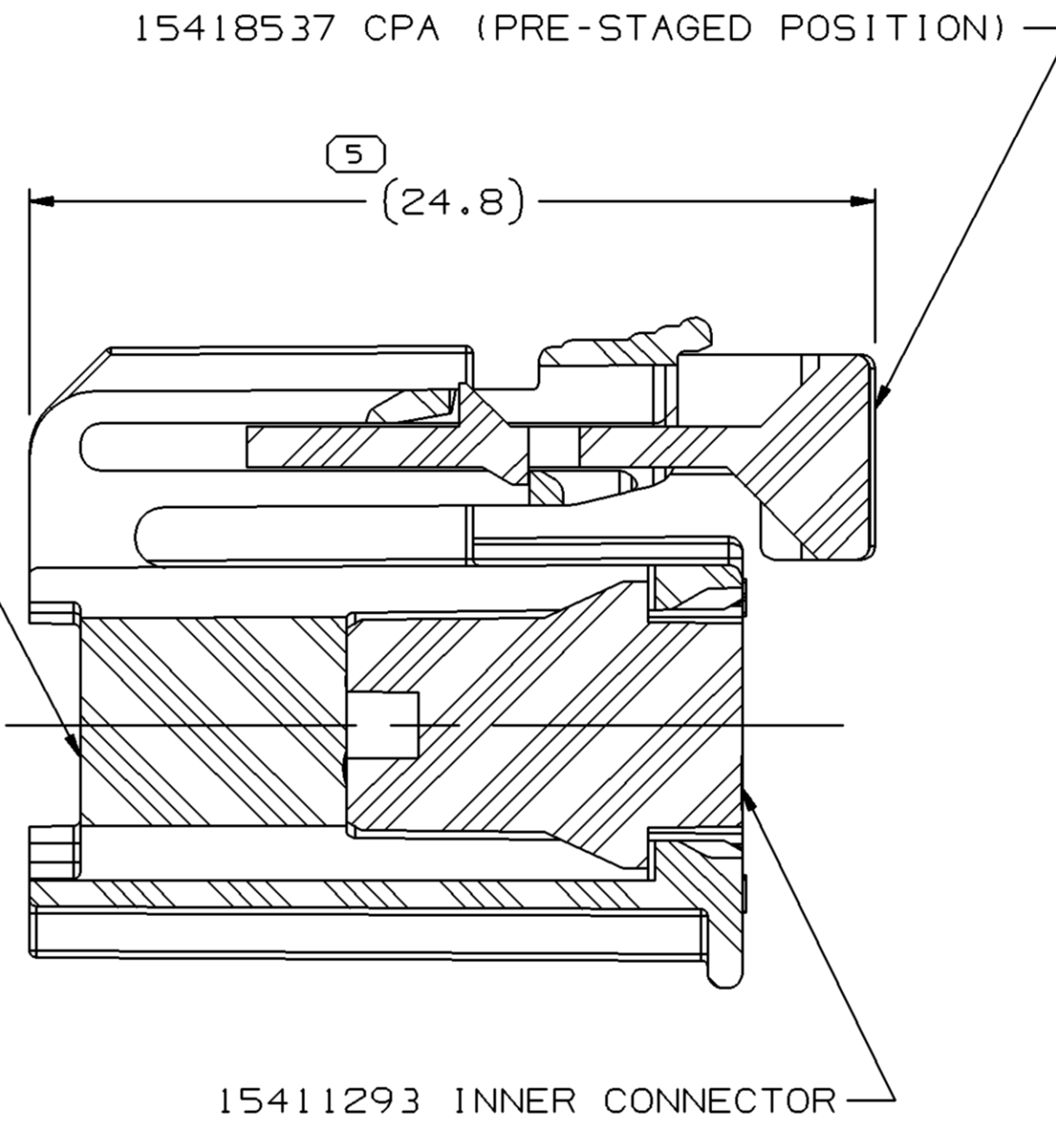
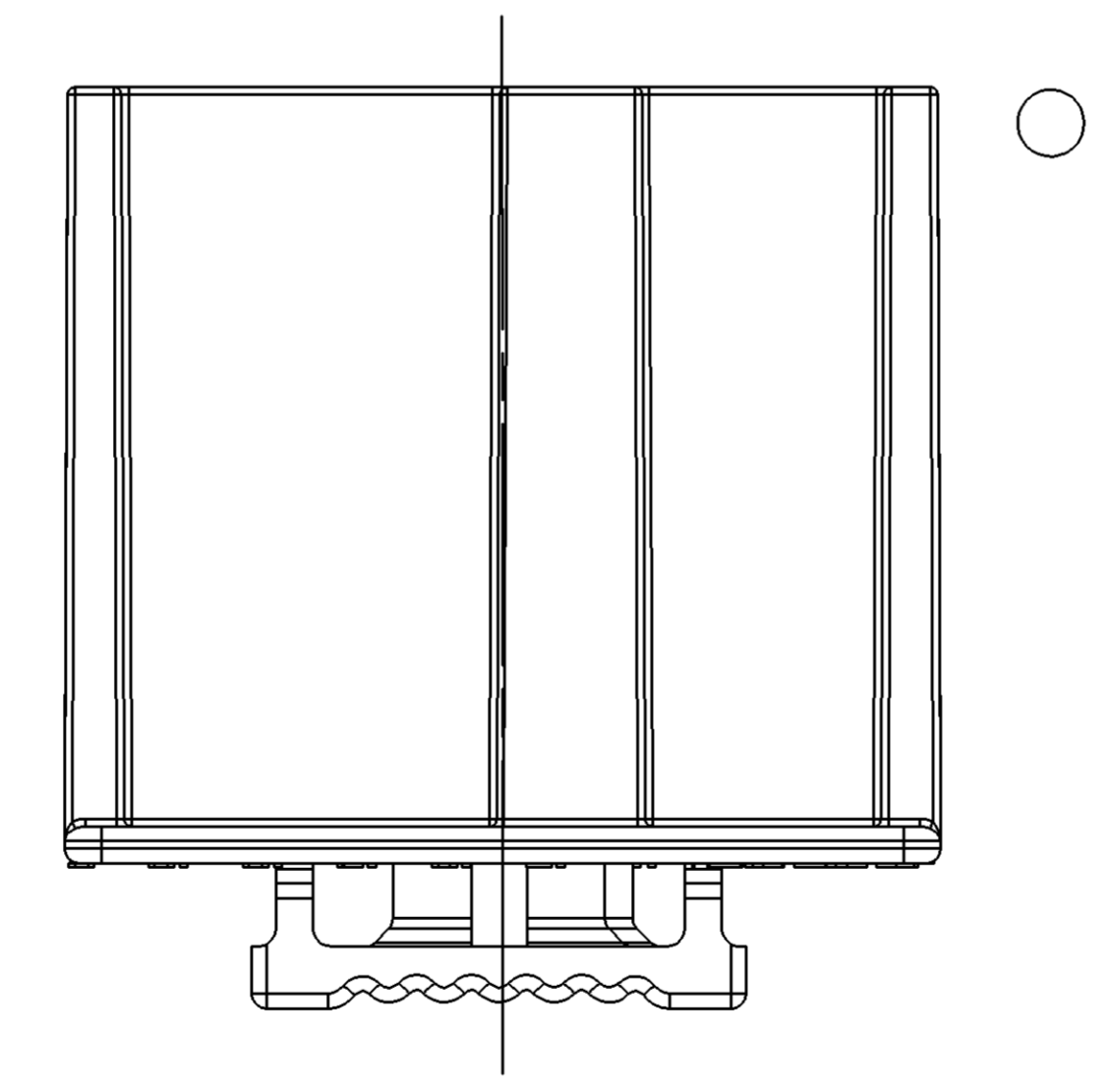
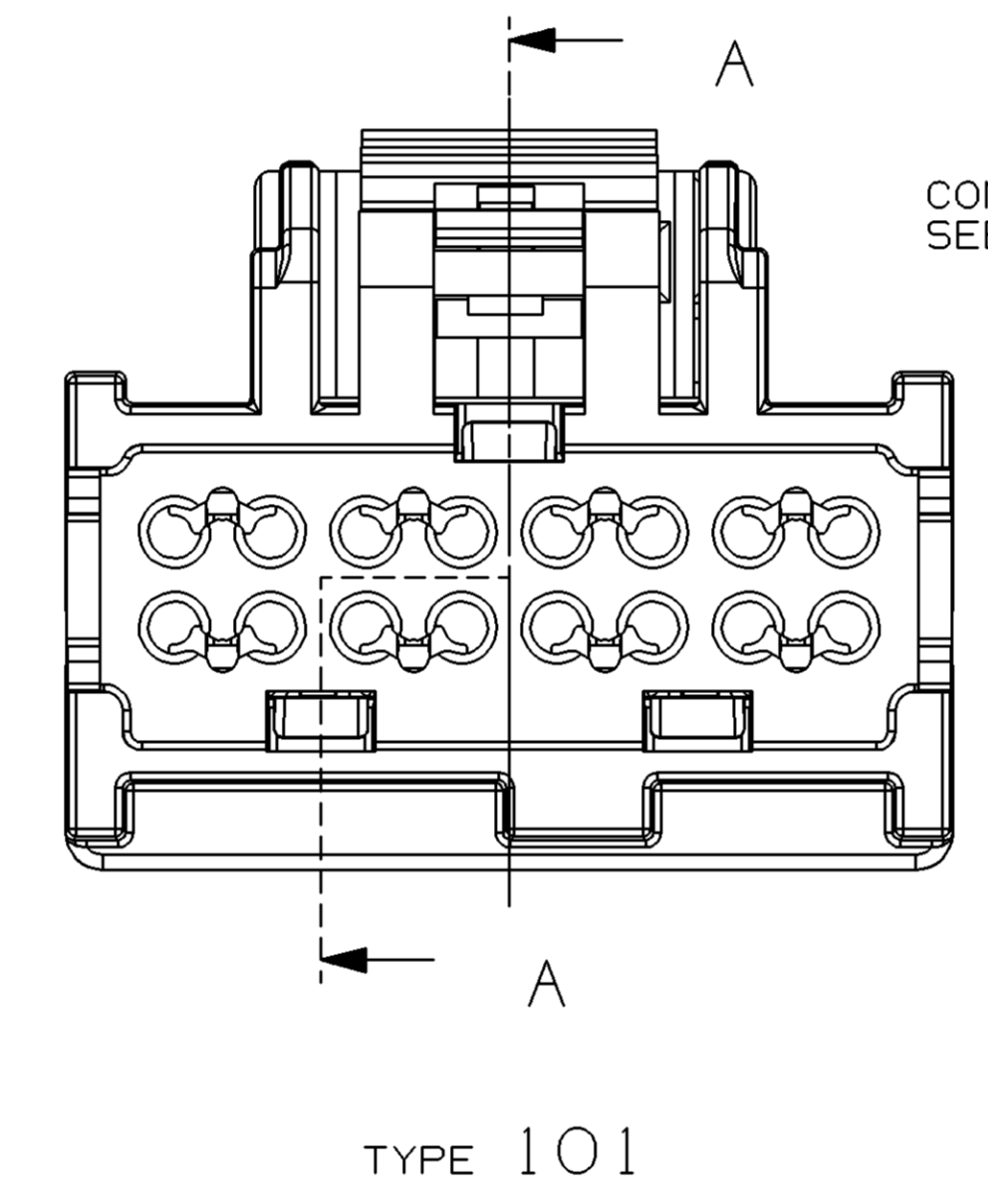
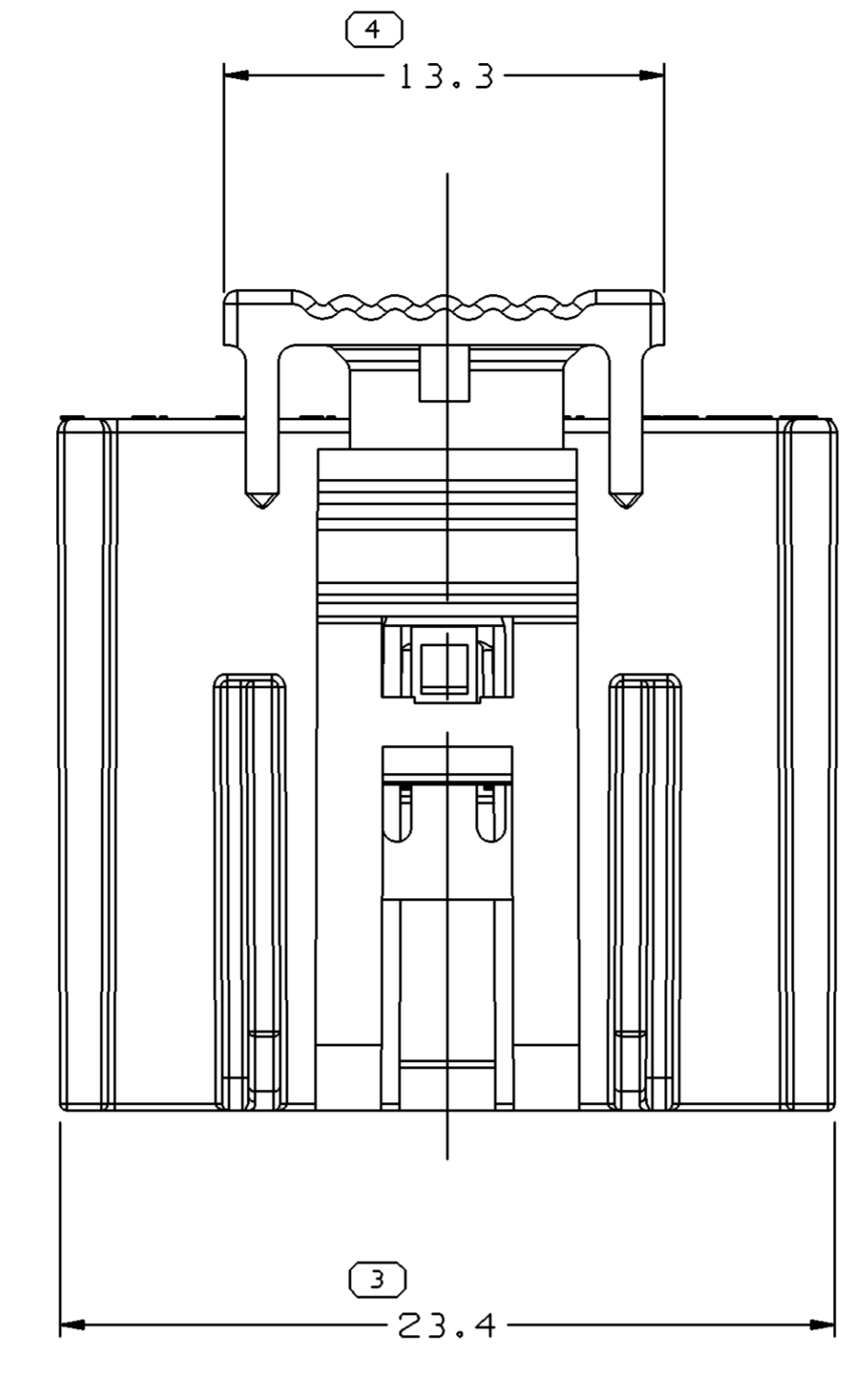
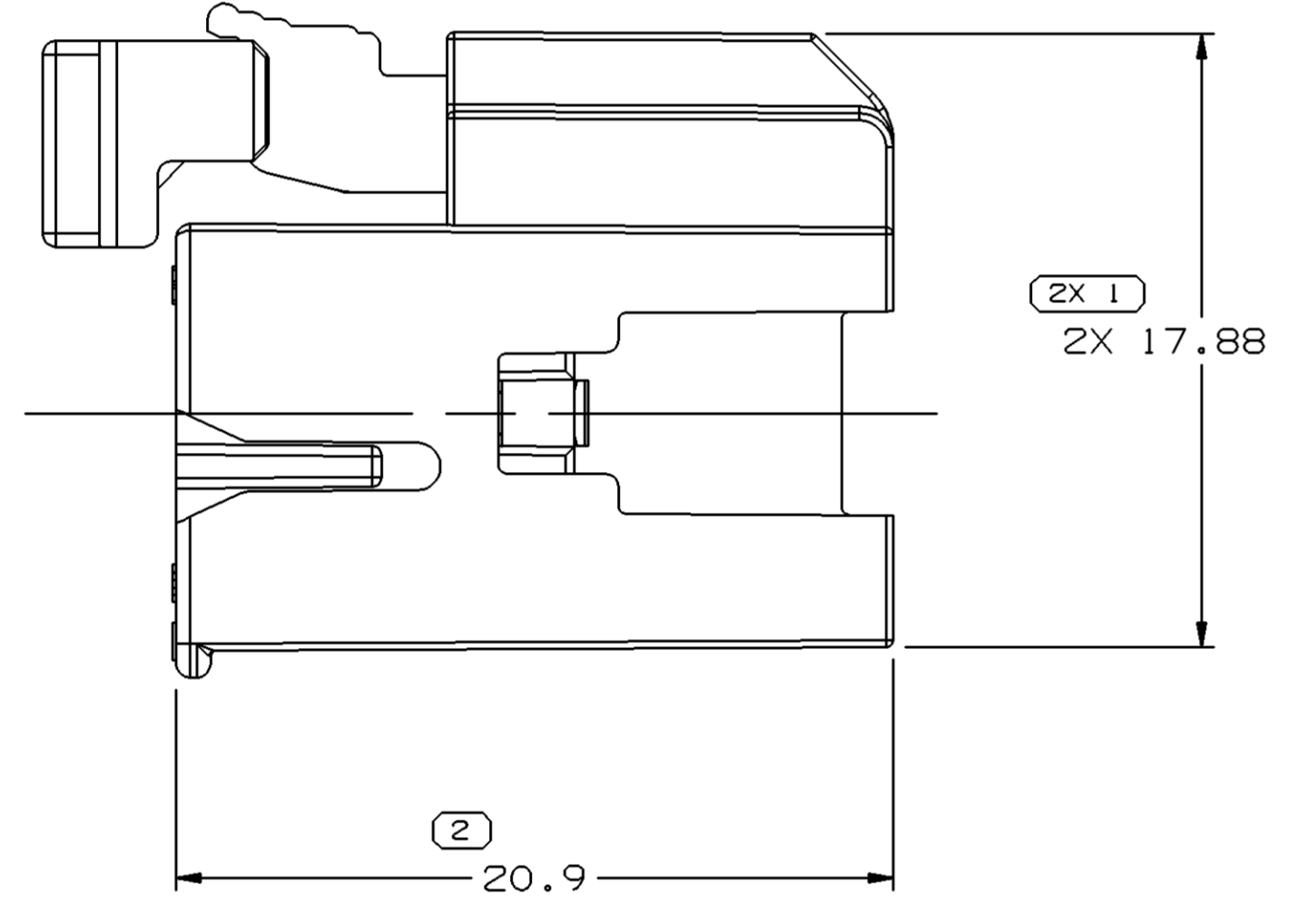
TYPE 104
SAME AS TYPE 101
EXCEPT AS SHOWN



TYPE 105
SAME AS TYPE 101
EXCEPT AS SHOWN



TYPE 106
SAME AS TYPE 101
EXCEPT AS SHOWN

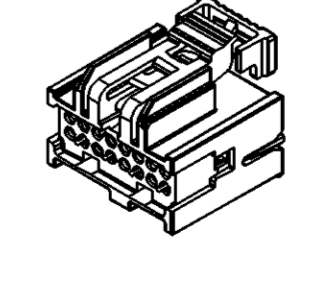


SYMBOL DEFINITION		MISSING SYMBOLS	
A DIMENSION WITHOUT AN INSPECTION REPORT SYMBOL DOES NOT REQUIRE INSPECTION. IT MAY BE CONTROLLED ON THE INDIVIDUAL COMPONENT DRAWING.	TOTAL NO OF INSPECTIONS REQUIRED	NO MISSING SYMBOL NUMBER	
	6		
	LAST NO. USED		
	5		

DWO STATUS		REV		ZONE		REVISION HISTORY		AUTH		APVD	
DATE	STG	REV	N/P	CHG					DR	APVD	
14AU01	-	01	-	-			15394150 - ADDED TO TAXI 15394149, 15394151, 15394152, 15394153 15394154 - RELEASED	211275	AKJ	AKJ	BG
19AP02	-	02	-	-			ALL PARTS - REVISED NOTES; ADDED MATING INFORMATION TO CHART	223481	END	END	BG
02MY02	-	03	-	-			ALL PARTS - REVISED NOTE #2 15359196 WAS 15411307	224795	JR	JR	BG
29MY02	R	04	-	-			ALL PARTS - 15411293 WAS 15359195, 15418357 WAS 15359197; 15394150 CONNECTOR BODY WAS 15359194	225781	MB	WAC	BTG
24JA03	R	05	-	-			15394150 - ADVANCED REVISION LEVEL	235918	LMB	LMB	TV
13FE04	-	06	-	-			15394150 - REVISED CUSTOMER DRAWING	250730	JEB	JEB	TV
03MR04	R	07	-	-			15394150 - UPDATED PDM ATTRIBUTES; 15394150 - ADVANCED REVISION LEVEL WAS ALL PARTS - ADVANCED REVISION LEVEL; 15394150 - REVISED CUSTOMER DRAWING WAS REVISED CUSTOMER DRAWING	252523	ADK	ADK	AMK
12OC04	R	08	-	-			ALL PARTS - UPDATED FORMAT; ADDED BACK VIEW; BOTTOM VIEW WAS FIRST ANGLE	259842	MJM	BRB	AMK

- NOTES
- UNLESS OTHERWISE SPECIFIED AND/OR INDICATED: DIMENSIONS ARE TO FACE OF VIEW SHOWN AND AUTOMATICALLY ROUNDED BY COMPUTER FOR INSPECTION (SEE MATH MODEL FOR PRECISE DIMENSIONS). FOR ALL OTHER DIMENSIONS NOT SHOWN BUT REQUIRED FOR TOOL BUILD, SEE MATH MODEL FOR PRECISE TOOL PATH DATA.
 - THIS PART ACCEPTS THE FOLLOWING COMPONENTS OR EQUIVALENT: SECONDARY TERMINAL LOCK 15359196; TERMINALS: 15394147 OR 15401440 OR EQUIVALENT
 - SEE TAXI 15429814 FOR ASSEMBLIES W/O CPA.
 - (1.1)X(0.1) RAISED DELPHI CORPORATE BRAND TO BE LOCATED ON ANY EXTERIOR SURFACE, PREFERABLY VISIBLE AT FINAL ASSEMBLY. OPTIONAL CONSTRUCTION TO BE "PED" OR NO LOGO.
 - MATERIAL RECYCLING CODE >PA6-GB20+GF10< PER SAE J1344. (1.1)X(0.1) RAISED CHARACTERS TO BE LOCATED ON ANY EXTERIOR SURFACE. OPTIONAL CONSTRUCTION TO BE NO MATERIAL RECYCLING CODE.

ASM PART NO	REV	N/P	STATUS	MATERIAL SPECIFICATION AND COLOR	TYPE	CONNECTOR BODY	USCAR TYPE	ASM PART NO W/O CPA	MATING CONNECTOR
15394154	02	AA	-	M3571001 PA6 (GB20+GF10)HS NAT	106	15394146	F	15429809	15394160, 15430452
15394153	02	AA	-	M3571008 PA6 (GB20+GF10)HS BLU	105	15394145	E	15429808	15394159, 15430451
15394152	02	AA	-	M3571007 PA6 (GB20+GF10)HS GRN	104	15394144	D	15429807	15394158, 15430450
15394151	02	AA	-	M3571010 PA6 (GB20+GF10)HS BRN	103	15394143	C	15429806	15394157, 15430449
15394149	02	AA	-	M3571003 PA6 (GB20+GF10)HS GRA	102	15394141	B	15429805	15394156, 15430448
15394150	02	AD	-	M3571002 PA6 (GB20+GF10)HS BLK	101	15411434	A	15416970	15420632, 15430447, 15359190, 15429905



DIMENSIONAL RANGE (MM)		TOLERANCE		CHART ET	
FROM	TO	±	°	±	°
0	20	0.1	0.1	0.1	0.1
20	30	0.15	0.15	0.15	0.15
30	70	0.2	0.2	0.2	0.2
70	100	0.3	0.3	0.3	0.3
100	150	0.4	0.4	0.4	0.4
150	200	0.5	0.5	0.5	0.5
200	250	0.6	0.6	0.6	0.6
250	300	0.8	0.8	0.8	0.8
300	400	1.0	1.0	1.0	1.0

DWO TYPE		PART DRAWING	
STYLE		DISTR CODE	D
VOLUME (CM³)			
UNLESS OTHERWISE SPECIFIED			
THIS DOCUMENT IS IN ACCORDANCE WITH ASME Y14.5M-1994 AS AMENDED BY THE 2003 DIMENSIONING AND TOLERANCING ADDENDUM - 1997. ALL GEOMETRIC TOLERANCES AND RELATED SURFACE APPLICABLE TO THE PART UNLESS OTHERWISE SPECIFIED. MFG DOES NOT APPLY MESH RELATIONSHIP BETWEEN FEATURES UNLESS ESTABLISHED BY ORIENTATION OR LOCATION TOLERANCES. REWORKLESS POSITION DIALINDS MAY BE GAGED SEPARATELY. ALL DIMENSIONS ARE IN MILLIMETERS.			
REFERENCE		THIRD ANGLE PROJECTION	
		DO NOT SCALE	
		USE MATH DATA	

DELPHI
DELPHI PACKARD ELECTRIC SYSTEMS
WARREN, OH

DR	DATE
DR ANAND JAGANATHAN	14AU01
APVD1 ANAND JAGANATHAN	14AU01
APVD2 ANAND JAGANATHAN	14AU01
APVD3 BRIAN GEISLER	15AU01
APVD4	

UNLESS OTHERWISE SPECIFIED
SUBSTANCE OF CONCERN AND RECYCLED CONTENT PER DELPHI-A 10949001

MATERIAL SPEC DRAWING

DRAWING NAME
TAXI CONN 16 F MICRO 64

DRAWING NUMBER
15394155

SIZE A0 SCALE 5:1 FRAME NO 1 OF 1 SHEET NO 1 OF 1 REV N/P 1 R 08