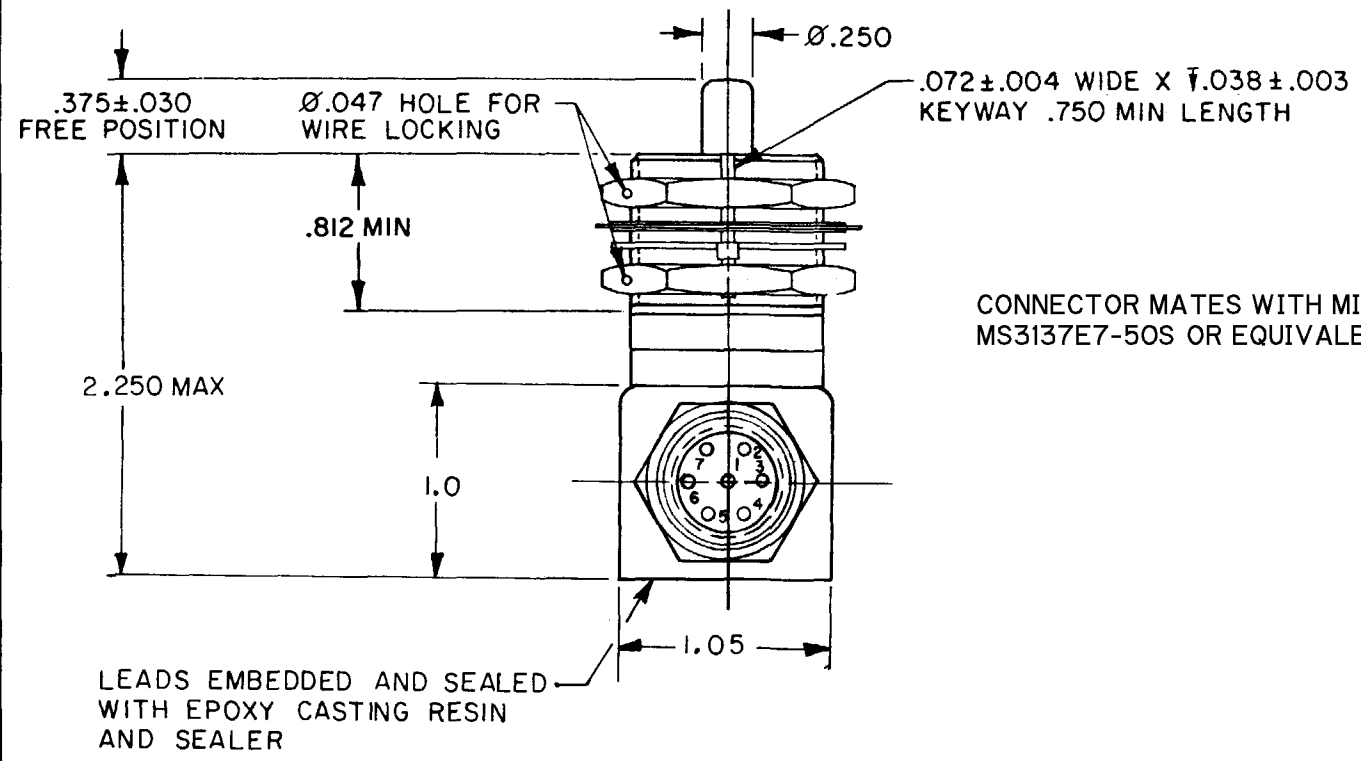
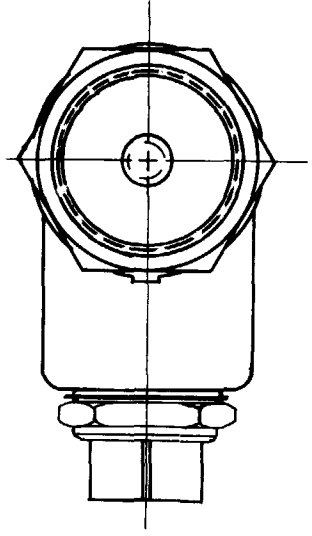
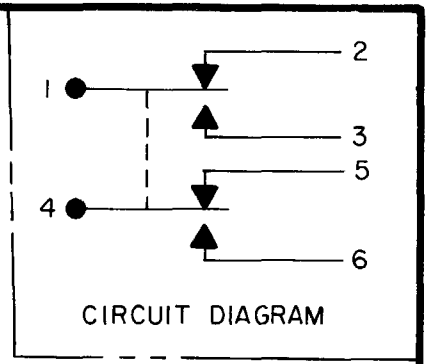


SKETCH I9589
 ISSUE 17
 CATALOG LISTING
 1EN76-R
 PAGE 1 OF 1
 REPLACES SR-7520
 RELEASE NO. SR-7520
 CHECK C E D
 19 APR 79
 12 MAY 99
 DLT
 23 APR 99
 F CO-95131
 DLM
 23 APR 99
 E CO-95062
 S A V
 12 JAN 99
 D CO-93970
 J A S
 25 JUN 98
 C CO80689
 J A P
 5 AUG 80
 B CO47573
 S L B
 2 APRIL 79
 A CO 44351

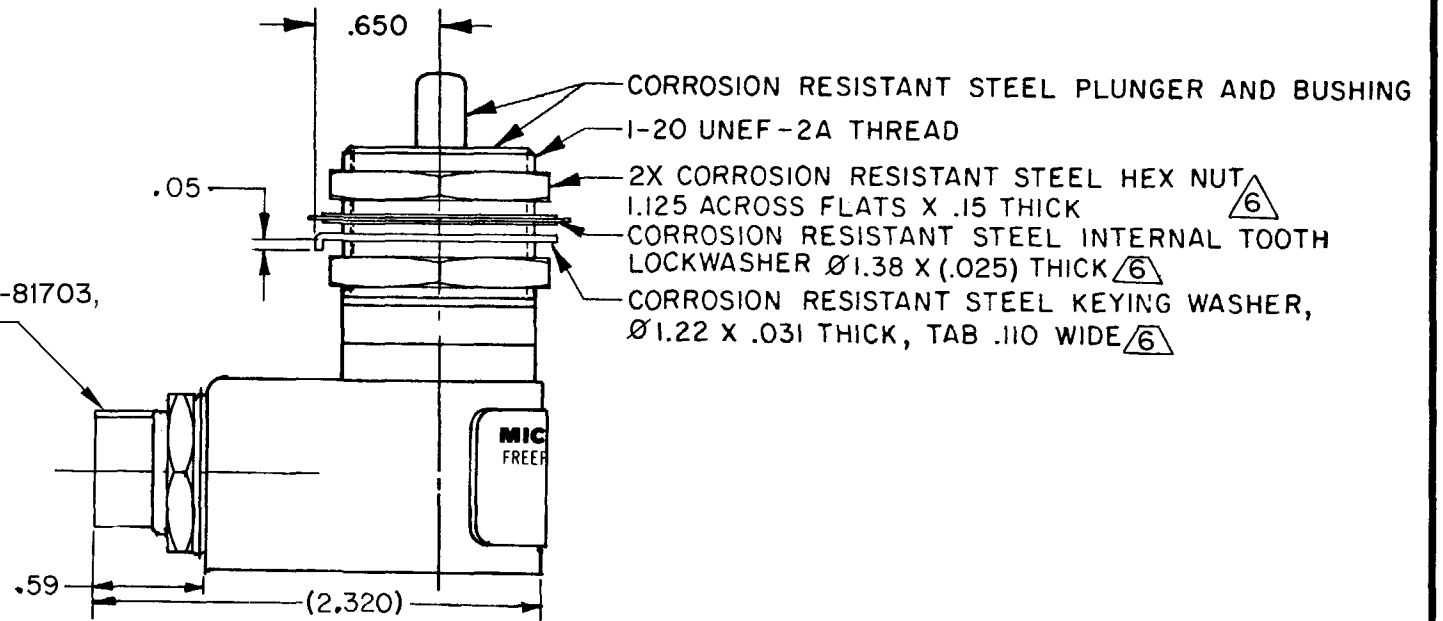
MICRO SWITCH
 FREEPORT ILLINOIS U S A
 A DIVISION OF HONEYWELL
 FED. MFG. CODE 91929

SWITCH - ENCLOSED

CATALOG LISTING
1EN76-R



CONNECTOR MATES WITH MIL-C-81703,
 MS3137E7-50S OR EQUIVALENT



THIS DRAWING COVERS A PROPRIETARY ITEM AND IS THE PROPERTY OF MICRO SWITCH, A DIVISION OF HONEYWELL. THIS DRAWING IS NOT TO BE COPIED OR USED WITHOUT THE APPROVAL OF MICRO SWITCH.

THIRD ANGLE PROJECTION

SCALE FULL
 DO NOT SCALE PRINT

CHARACTERISTICS	
OPERATING FORCE	6-12 LB
FULL OVERTRAVEL FORCE	30 LB MAX
RELEASE FORCE	4 LB MIN
PRETRAVEL	.040 MAX
DIFFERENTIAL TRAVEL	.020 MAX
OVERTRAVEL	.250 MIN

ELECTRICAL DATA	
CONTACT ARRANGEMENT	
2X S P D T	
28 VDC	
LOAD	SEA LEVEL
RES	5
IND	3
MOTOR	4

TOLERANCES			
APPLY TO DESIGN UNITS. CONVERSIONS ARE ONLY FOR REFERENCE. UNLESS NOTED, TOLERANCES ARE:			
DIM.	TOL.	DIM.	TOL.
NO PLACES	mm/in	in	mm/in
ONE PLACE	X .04	X .005	0.07/0.13
TWO PLACES	X .XX	X .XX	0.38/0.015
THREE PLACES	X .XXX	X .XXX	0.13/0.005
ANGLES			
SI METRIC		US CUSTOMARY	
DESIGN UNITS <input type="checkbox"/> SI METRIC <input checked="" type="checkbox"/> US CUSTOMARY			
RAW MATERIAL - COMMERCIAL STANDARD			
MICRO SWITCH STANDARDS APPLY			
DIMENSIONS ARE TO BE MET BEFORE PROTECTIVE COATINGS ARE APPLIED			
WEIGHT 8.0 OZ MAX			

NOTES

- CORROSION RESISTANT STEEL ENCLOSURE FINISHED WITH GREEN EPOXY BASED ENAMEL COLOR NO. 34151 PER FEDERAL STANDARD 595
- SWITCH SEALED PER MIL-PRF-8805 SYMBOL 4
- CIRCUIT DIAGRAM, DATE CODE, FED. MFG. CODE AND CATALOG LISTING ARE SHOWN ON NAMEPLATE
- COINCIDENCE OF OPERATING AND RELEASING POINTS: .010 OF PLUNGER TRAVEL

6 HARDWARE MAY BE PACKAGED UNASSEMBLED PER MIL-PRF-8805

ANSI Y14.5M-1982 APPLIES