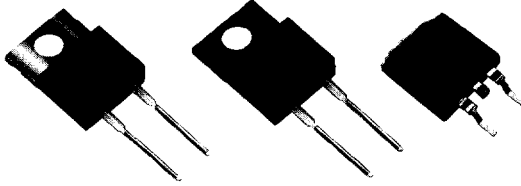


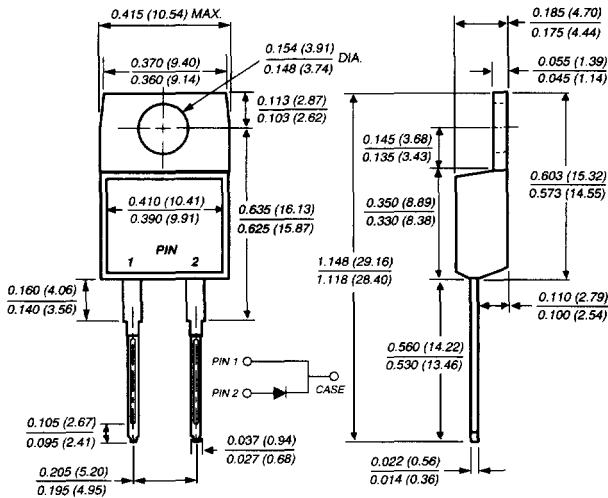
MBR7xx, MBRF7xx & MBRB7xx Series

Schottky Barrier Rectifier

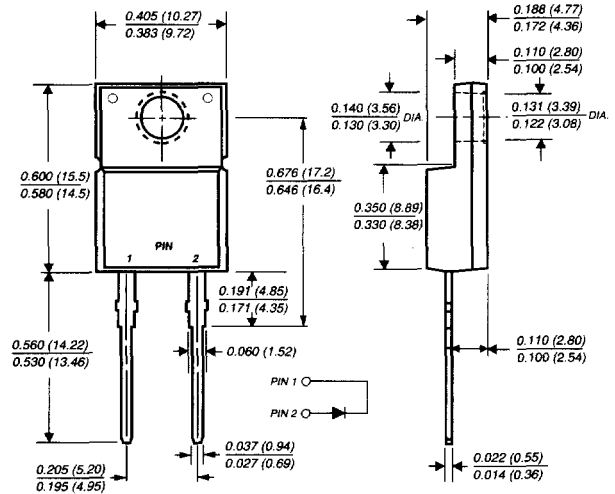
Reverse Voltage 35 to 60V
Forward Current 7.5A



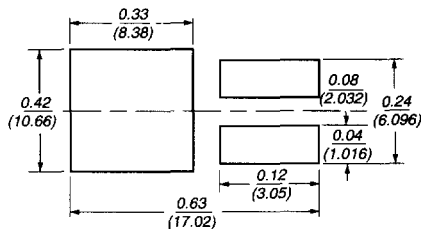
TO-220AC (MBR7xx)



ITO-220AC (MBRF7xx)

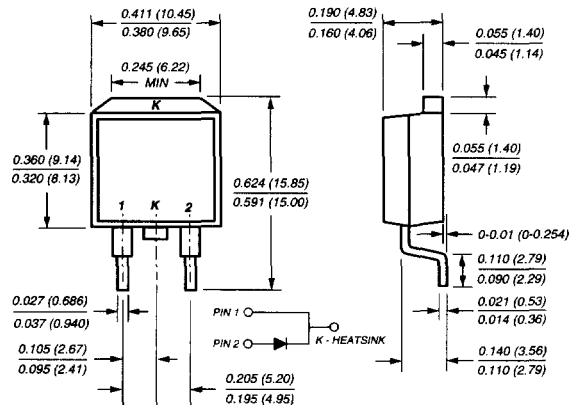


Mounting Pad Layout TO-263AB



Dimensions in inches and (millimeters)

TO-263AB (MBRB7xx)



Features

- Plastic package has Underwriters Laboratory Flammability Classifications 94V-0
- Metal silicon junction, majority carrier conduction
- Low power loss, high efficiency
- Guarding for overvoltage protection
- For use in low voltage, high frequency inverters, free wheeling, and polarity protection applications
- High temperature soldering guaranteed: 250°C/10 seconds, 0.25" (6.35mm) from case

Mechanical Data

Case: JEDEC TO-220AC, ITO-220AC & TO-263AB molded plastic body

Terminals: Plated leads, solderable per MIL-STD-750, Method 2026

Polarity: As marked

Mounting Position: Any

Mounting Torque: 10 in-lbs maximum

Weight: Approx 0.05 ounce, 1.35 grams

MBR7xx, MBRF7xx & MBRB7xx Series

Schottky Barrier Rectifier

Maximum Ratings (T_C = 25°C unless otherwise noted)

Parameter	Symbol	MBR735	MBR745	MBR750	MBR760	Unit
Maximum repetitive peak reverse voltage	V _{RRM}	35	45	50	60	V
Working peak reverse voltage	V _{RWM}	35	45	50	60	V
Maximum DC blocking voltage	V _{DC}	35	45	50	60	V
Maximum average forward rectified current (SEE FIG. 1)	I _{F(AV)}	7.5				A
Peak repetitive forward current (sq. wave, 20 KHz) at T _C = 105°C	I _{FRM}	15				A
Peak forward surge current 8.3ms single half sine-wave superimposed on rated load (JEDEC Method)	I _{FSM}	150				A
Peak repetitive reverse current per leg at t _p = 2.0μs, 1KHz	I _{RRM}	1.0		0.5		A
Voltage rate of change (rated V _R)	dv/dt	10,000				V/μs
Operating junction temperature range	T _J	-65 to +150				°C
Storage temperature range	T _{STG}	-65 to +175				°C
RMS Isolation voltage (MBRF type only) from terminals to heatsink with t = 1.0 second, RH ≤ 30%	V _{ISOL}	4500 (NOTE 1) 3500 (NOTE 2) 1500 (NOTE 3)				V

Electrical Characteristics (T_C = 25°C unless otherwise noted)

Parameter	Symbol	MBR735	MBR745	MBR750	MBR760	Unit
Maximum instantaneous forward voltage per leg (Note 4) at I _F = 7.5A, T _C = 25°C at I _F = 7.5A, T _C = 125°C at I _F = 15A, T _C = 25°C at I _F = 15A, T _C = 125°C	V _F	— 0.57 0.84 0.72		0.75 0.65 — —		V
Maximum reverse current at DC blocking voltage T _C = 25°C T _C = 125°C	I _R		0.1 15	0.5 50		mA

Thermal Characteristics (T_C = 25°C unless otherwise noted)

Parameter	Symbol	MBR	MBRF	MBRB	Unit
Thermal resistance from junction to case and/or thermal resistance from junction to ambient	R _{θJA} R _{θJC}	60 3.0	— 5.0	60 3.0	°C/W

Notes:

- (1) Clip mounting (on case), where lead does not overlap heatsink with 0.110" offset
- (2) Clip mounting (on case), where leads do overlap heatsink
- (3) Screw mounting with 4-40 screw, where washer diameter is ≤ 4.9 mm (0.19")
- (4) Pulse test: 300μs pulse width, 1% duty cycle

Ratings and Characteristic Curves ($T_A = 25^\circ\text{C}$ unless otherwise noted)

MBR7xx, MBRF7xx & MBRB7xx Series

FIG. 1 - FORWARD CURRENT DERATING CURVE

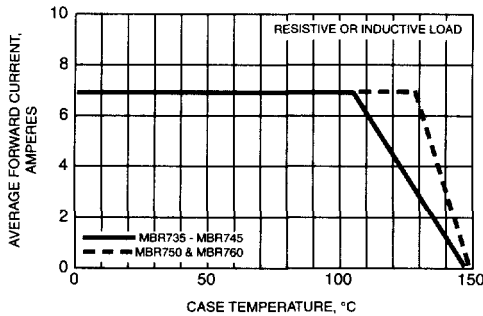


FIG. 2 - MAXIMUM NON-REPETITIVE PEAK FORWARD SURGE CURRENT

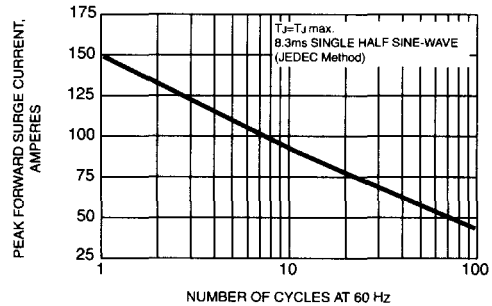


FIG. 3 - TYPICAL INSTANTANEOUS FORWARD CHARACTERISTICS

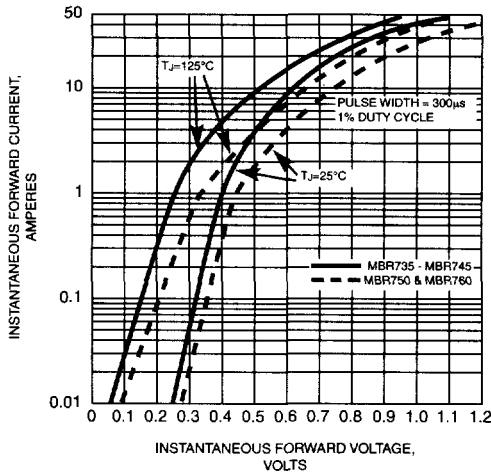


FIG. 4 - TYPICAL REVERSE CHARACTERISTICS

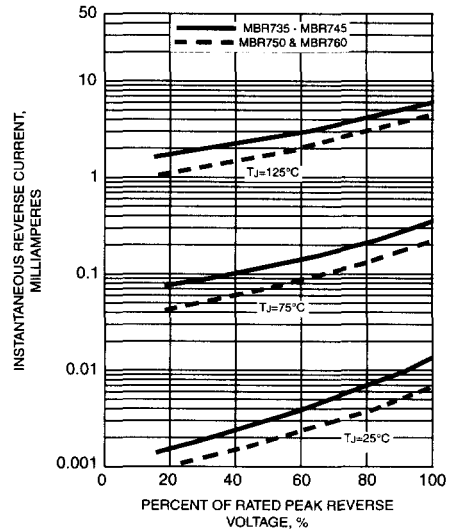


FIG. 5 - TYPICAL JUNCTION CAPACITANCE

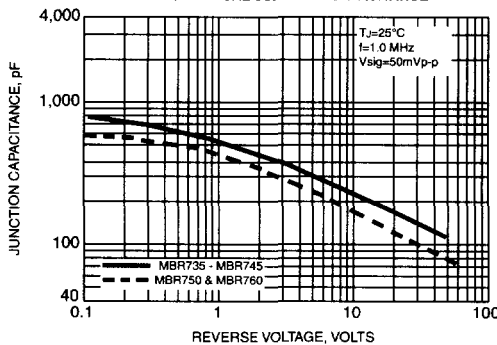


FIG. 6 - TYPICAL TRANSIENT THERMAL IMPEDANCE

