

### D-SUBMINIATURE OVER D-SUBMINIATURE STACKED RIGHT ANGLE METAL SHELL



#### PHYSICAL PROPERTIES

**INSULATOR AND ALIGNMENT PLATE:** Thermoplastic  
UL 94V-0 rated, Reflow solder compatible.

**COLOR:** Black

**CONTACT:** High strength copper alloy; Selectively plated with 30μ inches gold in the contact area; Tin/Lead plate over tail area; nickel underplate overall.

**BRACKET MATERIAL:** Nickel plated steel

**SHELL MATERIAL:** Tin plated steel

**SHIELD MATERIAL:** Stainless steel

**THREADED INSERT:** Brass

**SNAP LATCH MATERIAL:** Tin plated high strength copper alloy

**EYELET MATERIAL:** Brass

#### ELECTRICAL PROPERTIES

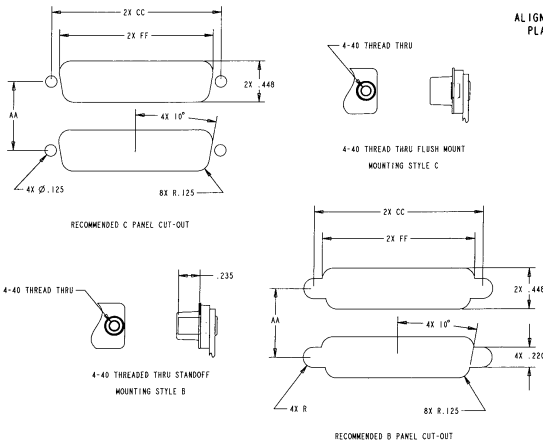
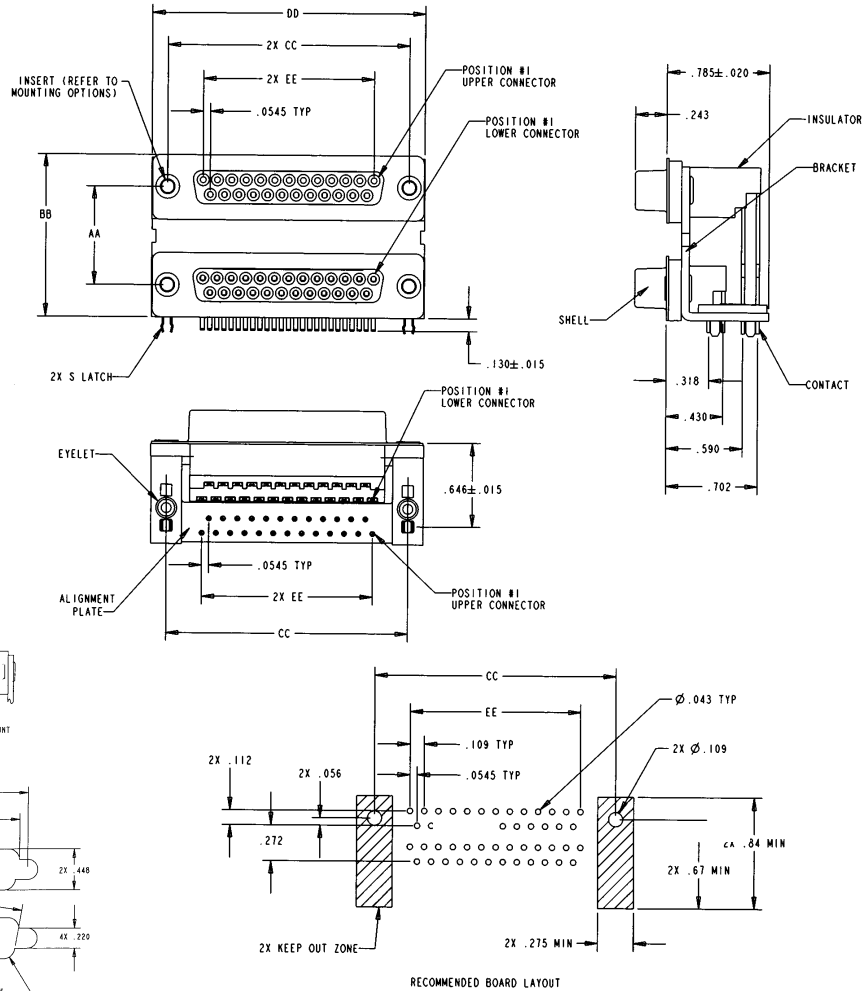
**CURRENT RATING:** <5 amperes

**INSULATION RESISTANCE:** >5000 Megohms

**DIELECTRIC STRENGTH:** >1000 Volts AC at sea level

#### ENVIRONMENTAL PROPERTIES

**TEMPERATURE RATING:** -55°C to +125°C



#### Ordering Information

# OF DUAL POSITIONS	FEMALE OVER FEMALE		FEMALE OVER MALE		AA	BB	CC	DD	EE	FF
	THREADED INSERTS	THREADED ROUND FEMALE STANDOFFS	THREADED INSERTS	THREADED ROUND FEMALE STANDOFFS						
9/9	HS09R09R329C	HS09R09R329B	HS09R09M329C	HS09R09M329B	.750	1.240	.984	1.224	.436	.806
15/15	HS15R15R329C	HS15R15R329B	HS15R15M329C	HS15R15M329B	.750	1.240	1.312	1.552	.763	1.134
25/25	HS25R25R329C	HS25R25R329B	HS25R25M329C	HS25R25M329B	.750	1.240	1.852	2.083	1.308	1.674
37/37	HS37R37R329C	HS37R37R329B	HS37R37M329C	HS37R37M329B	.750	1.240	2.500	2.740	1.962	2.326

Add suffix E for EMI Shield Cover.