

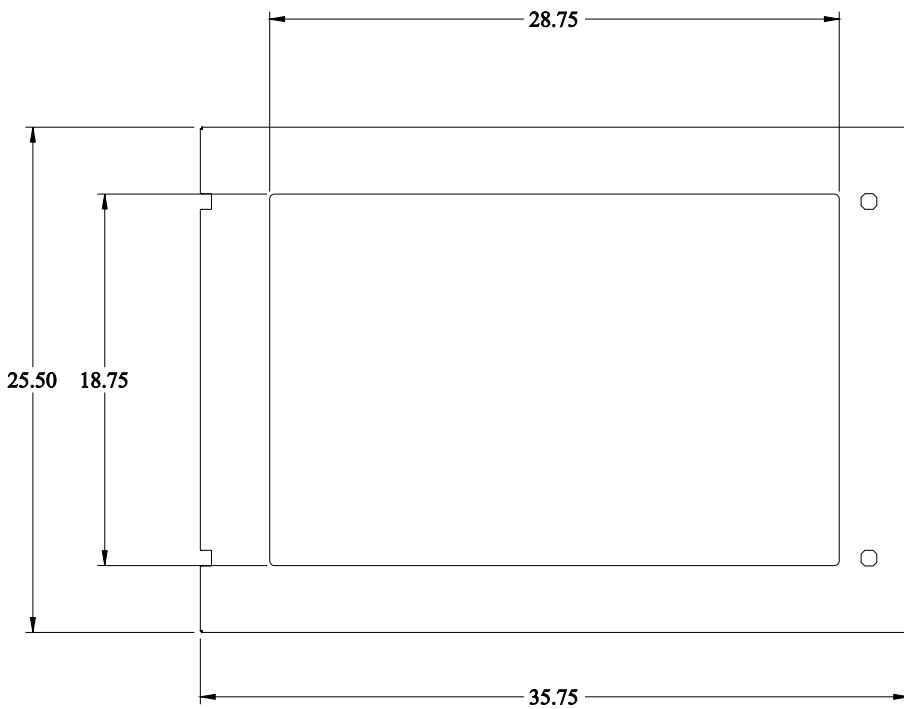
**PART No. 2CSBW36**

for more information visit

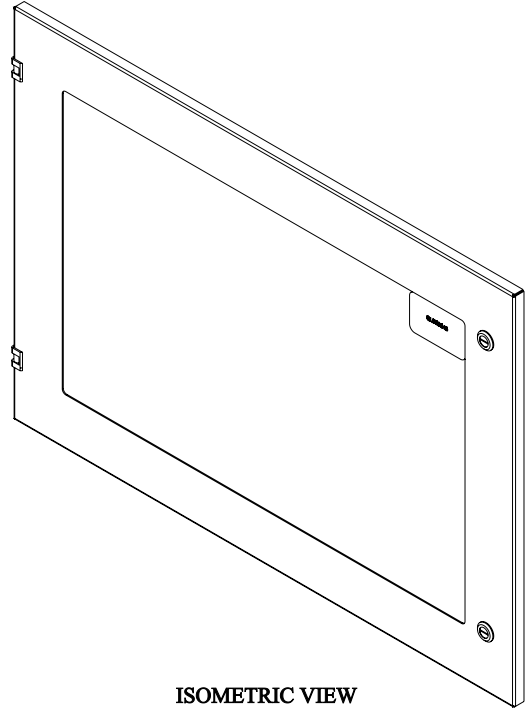
[www.hammfg.com](http://www.hammfg.com)

Data subject to change without notice

Isometric drawing Not to Scale



**FRONT VIEW**



**ISOMETRIC VIEW**