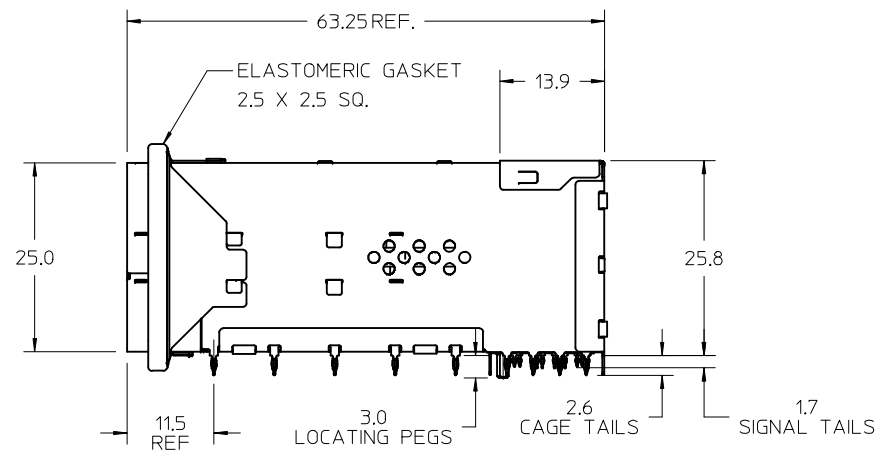


NUMBER OF PORTS	PART NUMBER	DIM X	DIM Y
2X1	170071101*	14.50	15.10
2X2	170071201*	28.75	29.35
2X4	170071401*	57.25	57.85
2X6	170071601*	85.75	86.35
2X8	170071801*	114.25	114.85
2X12	170071121*	171.25	171.85

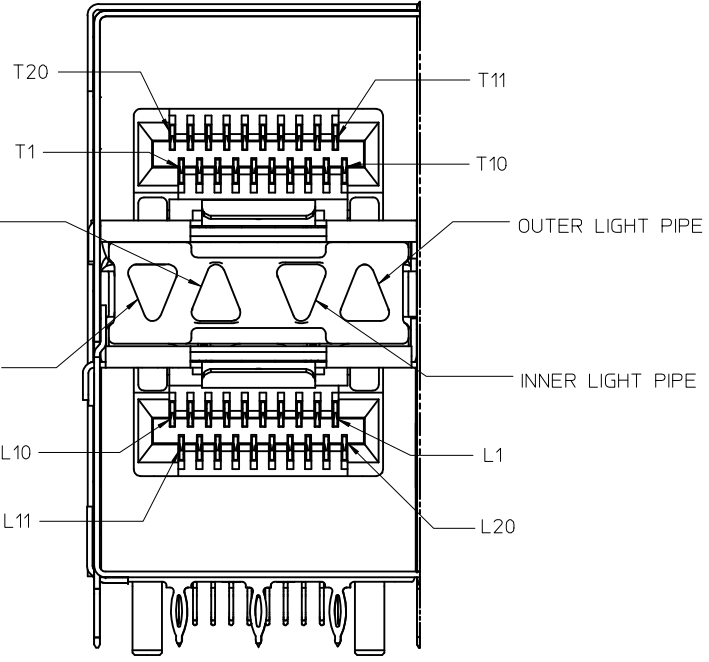
*-DESIGNATES LIGHT PIPE CONFIGURATIONS, SEE SHEET 2

NOTES:

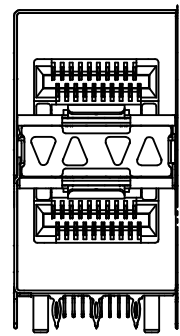
- MATERIAL:
 - CAGE: NICKEL SILVER
 - CONNECTOR HOUSING: GLASS FILLED THERMOPLASTIC, UL: 94V-0, COLOR: BLACK
 - LIGHT PIPES: POLYCARBONATE, 94 HB, COLOR: CLEAR
 - TERMINALS: HIGH PERFORMANCE COPPER ALLOY
 - FRONT SHIELD WALL: COPPER ALLOY
 - LIGHT PIPE HOUSING: ZINC ALLOY
 - ELASTOMERIC GASKET: SILVER IMPREGNATED SILICONE
- FINISH
 - TERMINALS: CONTACT AREA: 0.76 μ m MIN. HARD GOLD OVER 3.8 μ m MIN. NICKEL.
 - COMPLIANT TAIL: 0.7-1.5 μ m MATTE TIN OVER 0.7-1.5 μ m NICKEL
 - FRONT SHIELD WALL: 0.7-1.5 μ m NICKEL OVERALL
 - LIGHT PIPE HOUSING: 2.0 μ m NICKEL OVER 0.7 μ m COPPER
- 2X4 CONFIGURATION SHOWN FOR REFERENCE. SEE CHART FOR AVAILABLE OPTIONS
- REFER TO PS-170071-0001 FOR ALL ELECTRICAL, MECHANICAL AND ENVIRONMENTAL SPECIFICATIONS.
- REFER TO AS-170071-0001 FOR CONNECTOR MOUNTING AND REWORK INFORMATION.
- REFER TO AS-170071-0002 FOR PCB ROUTING RECOMMENDATIONS.
- ALL VISIBLE EXTERIOR SURFACES TO BE CLASS "B" (BOTTOM OF CONNECTOR IS CLASS "C") CAGE SURFACES TO CONFORM TO THE MOLEX COSMETIC DOC PS-45499-002.



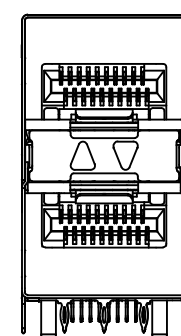
UPDATE & ADD **15 EC NO: UCP2013-2914 G DRWN:JKACHLIC 2013/01/15 CHKD: APPR:MBANAKIS 2013/01/21 REV DESCRIPTION	QUALITY SYMBOLS	GENERAL TOLERANCES (UNLESS SPECIFIED)	DIMENSION STYLE	SCALE	DESIGN UNITS	THIRD ANGLE PROJECTION
	$\nabla=0$ $\nabla=0$ $\nabla=0$	mm INCH	MM ONLY	2:1	METRIC	
		4 PLACES ± --- ± ---	DRAWN BY DATE	ZSFP+ STACKED ASSY WITH LIGHT PIPES AND ELASTOMERIC GASKET molex DOCUMENT NO. SD-170071-0002 SHEET NO. 1 OF 4		
		3 PLACES ± --- ± ---	CHECKED BY DATE			
		2 PLACES ± --- ± ---	APPROVED BY DATE			
		1 PLACE ± 0.25 ± ---	MATERIAL NO.			
		0 PLACE ± ±	SEE CHART			
		ANGULAR ±1/2°	THIS DRAWING CONTAINS INFORMATION THAT IS PROPRIETARY TO MOLEX INCORPORATED AND SHOULD NOT BE USED WITHOUT WRITTEN PERMISSION			
		DRAFT WHERE APPLICABLE MUST REMAIN WITHIN DIMENSIONS				



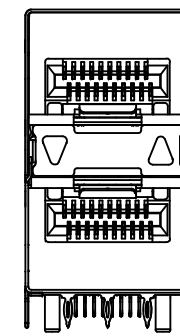
Partial4
SCALE 6:1



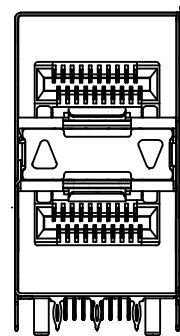
4 LIGHT PIPE
170071-**11



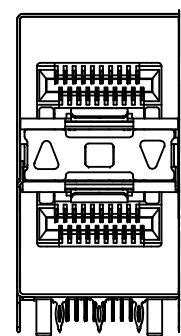
INNER LIGHT PIPE
170071-**12



OUTER DOWN/UP
170071-**13



OUTER UP/DOWN
170071-**14

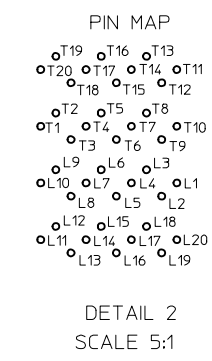
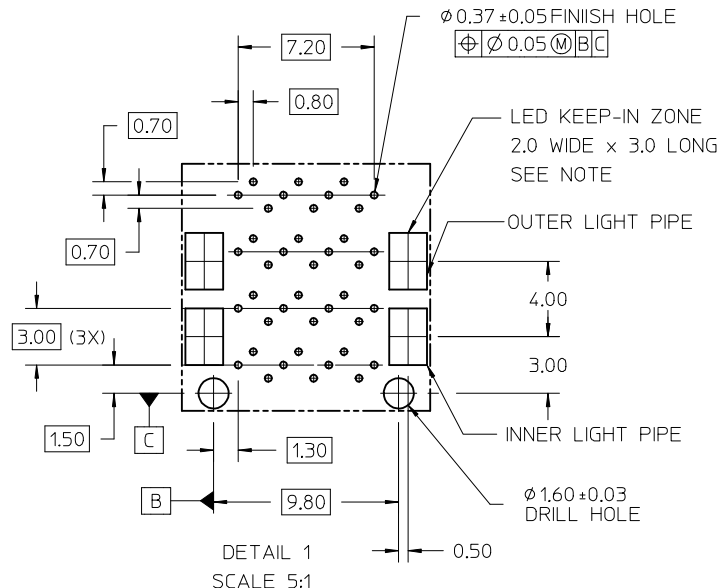
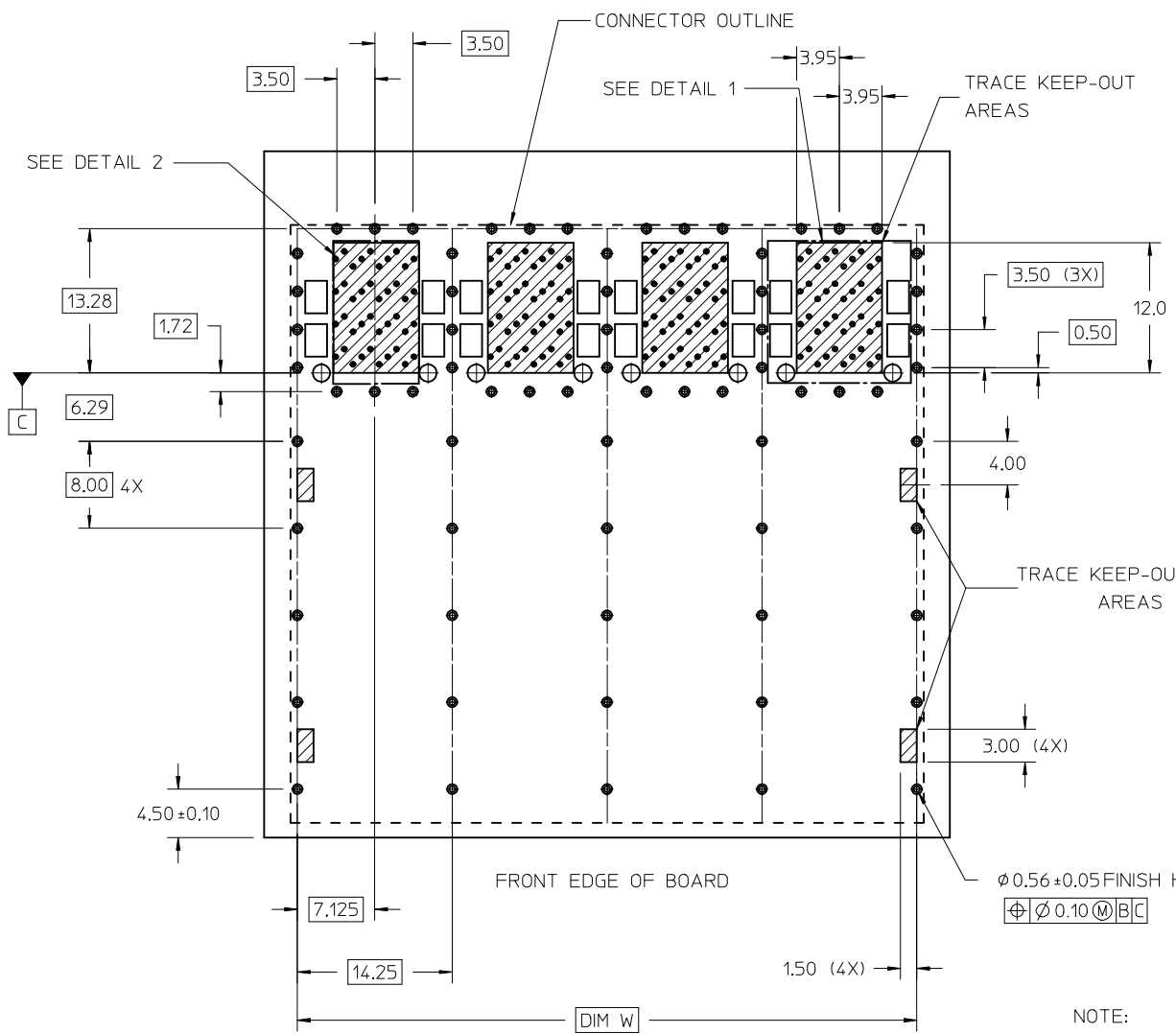


3 LIGHT PIPE
UP / MIDDLE / DOWN
170071-**15

PART NUMBER	DESCRIPTION
170071-**11	4 LIGHT PIPES
170071-**12	INNER 2 PORTS
170071-**13	OUTER DOWN/UP
170071-**14	OUTER UP/DOWN
170071-**15	3 LIGHT PIPES

** - DESIGNATES PORT SIZE

SEE SHEET 1 EC NO: UCP2013-2914 DRWN: KACHLIC 2013/01/15 CHKD: APPR: MBANAKIS 2013/01/21	QUALITY SYMBOLS	GENERAL TOLERANCES (UNLESS SPECIFIED)	DIMENSION STYLE MM ONLY	SCALE 3:1	DESIGN UNITS METRIC	THIRD ANGLE PROJECTION
	▽=0	mm INCH	DRAWN BY DATE JGONZALEZ01 2010/06/09	TITLE	ZSFP+ STACKED ASSY WITH LIGHT PIPES AND ELASTOMERIC GASKET molex	
	▽=0	4 PLACES ± --- ± ---	CHECKED BY DATE JKACHLIC 2010/06/09	APPROVED BY DATE MBANAKIS 2010/11/17		
	▽=0	ANGULAR ±1/2°	3 PLACES ± --- ± ---	MATERIAL NO.	DOCUMENT NO.	SHEET NO.
	DRAFT WHERE APPLICABLE MUST REMAIN WITHIN DIMENSIONS	2 PLACES ± --- ± ---	SEE CHART	SD-170071-0002	2 OF 4	
		0 PLACE ± ±	SIZE C	THIS DRAWING CONTAINS INFORMATION THAT IS PROPRIETARY TO MOLEX INCORPORATED AND SHOULD NOT BE USED WITHOUT WRITTEN PERMISSION		

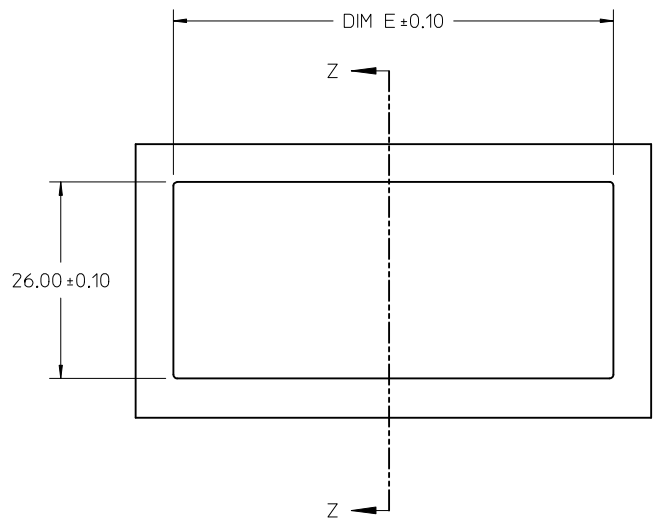


NOTE:
LED PACKAGE SIZE AND POSITION SHALL NOT VIOLATE THE KEEP IN ZONE.
LED PLACEMENT SHOULD BE CENTERED WITHIN THE ZONE FOR OPTIMAL
LIGHT TRANSMISSION BUT MAY BE SAFELY OFFSET ±0.50

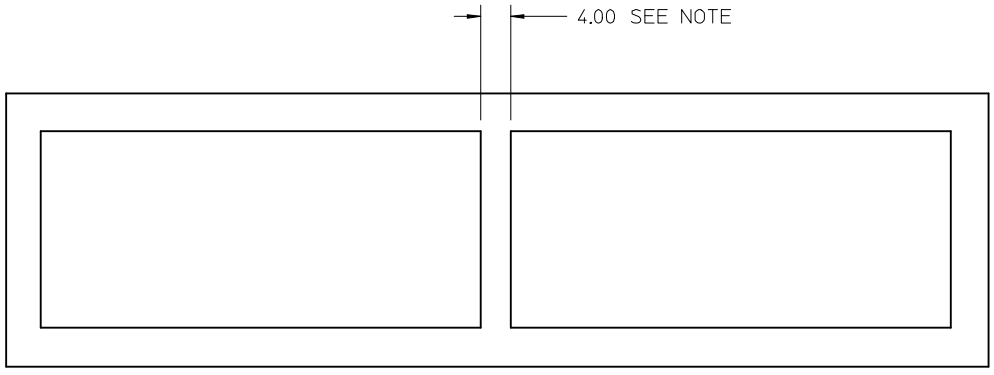
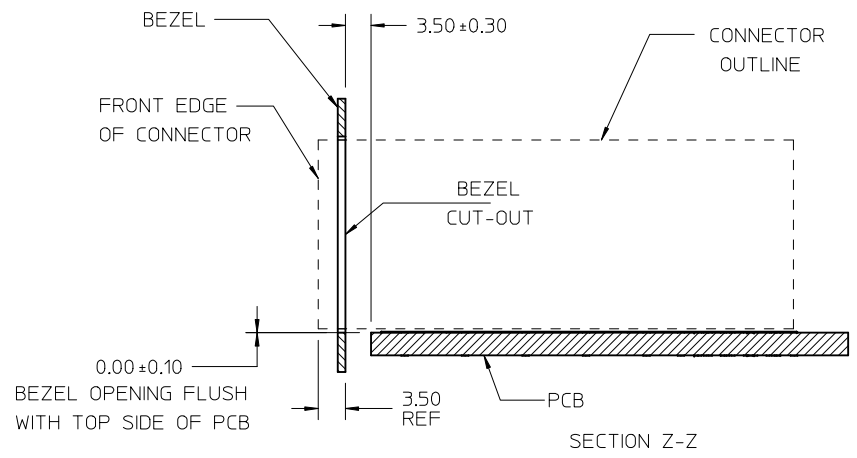
PORT SIZE	DIM "W"	HOLE CHART		
		SIGNALS (Ø0.37)	EMI CAGE (Ø0.56)	LOCATING PEG (Ø1.60)
2X1	14.25	40	24	2
2X2	28.50	80	39	4
2X4	57.00	160	69	8
2X6	85.50	240	99	12
2X8	114.00	320	129	16
2X12	171.00	480	189	24

SEE SHEET 1 EC NO: UCP2013-2914 DRAWN: JKACHLIC 2013/01/15 CHKD: MBANAKIS 2013/01/21 APPR: MBANAKIS	QUALITY SYMBOLS	GENERAL TOLERANCES (UNLESS SPECIFIED)	DIMENSION STYLE MM ONLY	SCALE 3:1	DESIGN UNITS METRIC	THIRD ANGLE PROJECTION
	▽=0	4 PLACES ± --- ± ---	DRAWN BY DATE JGONZALEZ01 2010/06/09	ZSFP+ STACKED ASSY WITH LIGHT PIPES AND ELASTOMERIC GASKET molex DOCUMENT NO. SD-170071-0002 SHEET NO. 3 OF 4		
	▽=0	3 PLACES ± --- ± ---	CHECKED BY DATE JKACHLIC 2010/06/09			
	▽=0	2 PLACES ± --- ± ---	APPROVED BY DATE MBANAKIS 2010/11/17			
▽=0	1 PLACE ± 0.25 ± ---	MATERIAL NO.				
		0 PLACE ± ±	SIZE C	THIS DRAWING CONTAINS INFORMATION THAT IS PROPRIETARY TO MOLEX INCORPORATED AND SHOULD NOT BE USED WITHOUT WRITTEN PERMISSION		
		ANGULAR ±1/2°	DRAFT WHERE APPLICABLE MUST REMAIN WITHIN DIMENSIONS			

CONFIGURATION	DIM "E"
2X1	15.50
2X2	29.75
2X4	58.25
2X6	86.75
2X8	115.25
2X12	172.25



BEZEL CUT-OUT DETAIL
BEZEL THICKNESS 0.8-2.6



BEZEL CUT-OUT FOR
CONNECTOR STACKING

NOTE:
FOR SIDE BY SIDE STACKING OF CONNECTORS, A BASIC DIMENSION OF 5.25mm BETWEEN CONNECTOR MOUNTING PATTERNS IS RECOMMENDED.

SEE SHEET 1 EC NO: UCP2013-2914 DRWN: JKACHLIC 2013/01/15 CHKD: APPR: MBANAKIS 2013/01/21	QUALITY SYMBOLS	GENERAL TOLERANCES (UNLESS SPECIFIED)	DIMENSION STYLE	SCALE	DESIGN UNITS	THIRD ANGLE PROJECTION
	▽=0	mm INCH	MM ONLY	2:1	METRIC	
	▽=0	4 PLACES ± --- ± ---	DRAWN BY DATE	TITLE		
	▽=0	3 PLACES ± --- ± ---	JGONZALEZ01 2010/06/09	ZSFP+ STACKED ASSY WITH LIGHT PIPES AND ELASTOMERIC GASKET		
	▽=0	2 PLACES ± --- ± ---	CHECKED BY DATE	molex		
	1 PLACE ± 0.25 ± ---	JKACHLIC 2010/06/09	DOCUMENT NO.			
	0 PLACE ± ±	APPROVED BY DATE	SD-170071-0002			
		MBANAKIS 2010/11/17	SHEET NO.			
		MATERIAL NO.	4 OF 4			
		ANGULAR ±1/2°	THIS DRAWING CONTAINS INFORMATION THAT IS PROPRIETARY TO MOLEX INCORPORATED AND SHOULD NOT BE USED WITHOUT WRITTEN PERMISSION			
		DRAFT WHERE APPLICABLE MUST REMAIN WITHIN DIMENSIONS				