

D-SUB FEMALE CONNECTOR WITH METAL SHELL



PHYSICAL PROPERTIES

INSULATION MATERIAL: Glass reinforced thermoplastic rated UL 94V-0

COLOR: Black

CONTACTS: Copper alloy, selective gold over 50 microinches min. nickel underplate overall

Shell: Tin plated steel

ELECTRICAL PROPERTIES

CURRENT RATING: 1 Amp

INSULATION RESISTANCE: >1000 Megohms @ 500VDC

DWV: >500 VRMS at sea level

ENVIRONMENTAL PROPERTIES

TEMPERATURE RATING: -55°C TO 125°C

APPLICATION TOOLING

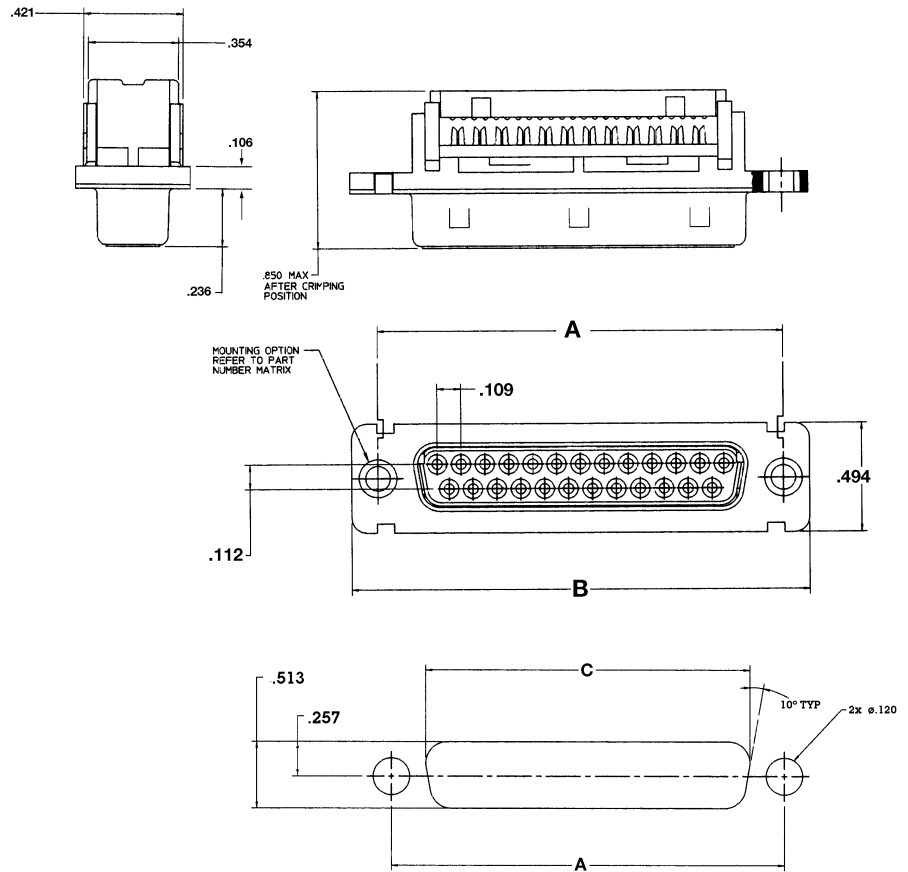
| | |
|--------------------------------|-------------|
| HAND TOOL | 779-2100 |
| use Die | 779-2179636 |
| BENCH PRESS (MANUAL) | 779-3200 |
| use Platen | 779-3130 |
| use Base Plate | 779-3179636 |
| BENCH PRESS (PNEUMATIC) | 779-3500XT |
| use Platen | 779-3130 |
| use Base Plate | 779-3179636 |

CABLE

See pages 108-120

ACCESSORIES

| | |
|-----------------------|----------|
| STRAIN RELIEF: | 636-09SR |
| (not shown) | 636-15SR |
| | 636-25SR |
| | 636-37SR |



RECOMMENDED PANEL CUTOUT DIMENSIONS

Ordering Information

| NO. OF POS. | CATALOG NUMBER | | | | A | B | C |
|-------------|--|--|--|---|---------------|---------------|---------------|
| | .120 MIN. THRU HOLE OF 15µ" GOLD ON CONTACT AREA | .120 MIN. THRU HOLE SELECTIVELY PLATED 30µ" GOLD ON CONTACT AREA OVER 50µ" MIN NICKEL UNDERPLATE | THREADED INSERT 4-40 UNC-2B THRU 15µ" GOLD ON CONTACT AREA | THREADED INSERT 4-40 UNC-2B THRU SELECTIVELY PLATED 30µ" GOLD ON CONTACT AREA OVER 50µ" MIN NICKEL UNDERPLATE | | | |
| 9 | 636-09SM | 636-09SMP001 | 636-09SM1 | 636-09SM1P001 | 24.99 (.984) | 30.78 (1.212) | 60.73 (2.391) |
| 15 | 636-15SM | 636-15SMP001 | 636-15SM1 | 636-15SM1P001 | 33.32 (1.312) | 39.09 (1.539) | 44.27 (1.743) |
| 25 | 636-25SM | 636-25SMP001 | 636-25SM1 | 636-25SM1P001 | 47.04 (1.852) | 53.09 (2.090) | 30.53 (1.202) |
| 37 | 636-37SM | 636-37SMP001 | 636-37SM1 | 636-37SM1P001 | 63.50 (2.500) | 69.39 (2.732) | 22.20 (.874) |