

**PLEASE CHECK WWW.MOLEX.COM FOR LATEST PART INFORMATION**

**Part Number:** [0554560569](#)  
**Status:** **Active**  
**Description:** 1.25mm (.049") Pitch Mi II™ System Wire-to-Board Header, Single Row, Right Angle, SMT, 5 Circuits, without Plastic Peg, Lead-free

**Documents:**

[3D Model](#) [Product Specification PS-54596-022 \(PDF\)](#)  
[Drawing \(PDF\)](#) [RoHS Certificate of Compliance \(PDF\)](#)

**General**

Product Family PCB Headers  
 Series [55456](#)  
 Application Wire-to-Board  
 Product Name Mini Mi II™

**Physical**

Breakaway No  
 Circuits (Loaded) 5  
 Color - Resin Natural  
 Durability (mating cycles max) 30  
 Glow-Wire Compliant No  
 Lock to Mating Part Yes  
 Mated Height (in) 0.177 In  
 Mated Height (mm) 4.50 mm  
 Material - Metal Brass  
 Material - Plating Mating Tin  
 Material - Plating Termination Tin  
 Material - Resin Nylon  
 Number of Rows 1  
 Orientation Right Angle  
 PCB Locator No  
 PCB Retention Yes  
 Packaging Type Embossed Tape on Reel  
 Pitch - Mating Interface (in) 0.049 In  
 Pitch - Mating Interface (mm) 1.25 mm  
 Polarized to Mating Part Yes  
 Stackable No  
 Temperature Range - Operating -40°C to +105°C  
 Termination Interface: Style Surface Mount

**Electrical**

Current - Maximum per Contact 1.5A  
 Voltage - Maximum 100V AC (RMS)/DC

**Material Info**

**Reference - Drawing Numbers**

Product Specification PS-54596-022, RPS-54596-025, RPS-54596-026  
 Sales Drawing SD-55456-010, SD-55456-011

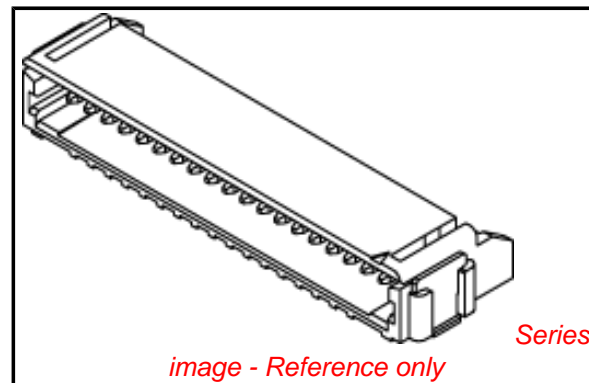


image - Reference only

**EU RoHS**

**ELV and RoHS Compliant**  
**REACH SVHC**  
 Not Reviewed  
**Halogen-Free Status**  
 Not Reviewed

**China RoHS**



**Need more information on product environmental compliance?**

Email [productcompliance@molex.com](mailto:productcompliance@molex.com)  
 For a multiple part number RoHS Certificate of Compliance, [click here](#)

Please visit the [Contact Us](#) section for any non-product compliance questions.

**Search Parts in this Series**

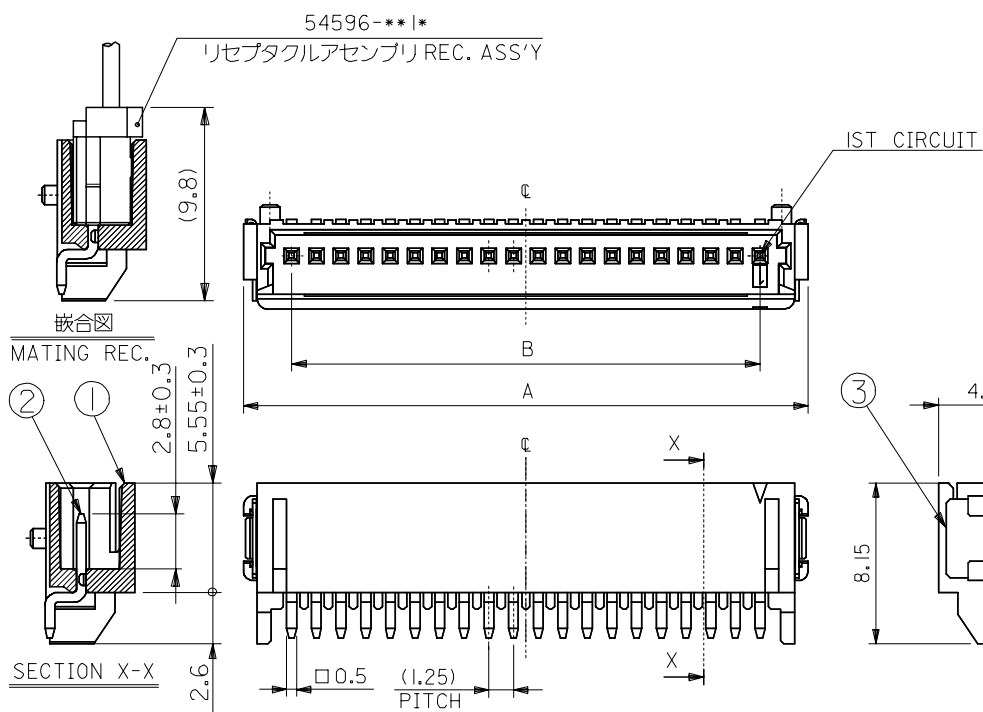
55456Series

**Mates With**

54596 IDT Receptacle Housing

10 9 8 7 6 5 4 3 2 1

番号 NO.	名称 NAME	材料 MATERIAL	数量 QT'Y	仕上げ FINISH
①	ウエハー WAFER	ナイロン NYLON	1	UL94V-0 色:原色 COLOR:NATURAL
②	ピン PIN	黄銅 BRASS	N	全体錫メッキ PRE-TINNED
③	ネール NAIL	黄銅 BRASS	2	錫メッキ TIN PLATING



ボス無しタイプ WITHOUT BOSS	ボス有りタイプ WITH BOSS
55456-***6*	55456-***5*

27.25	25.95	23.75	28.65	55456-2060		55456-2050	
26	24.7	22.5	27.4	-1960		-1950	
24.75	23.45	21.25	26.15	-1860		-1850	
23.5	22.2	20	24.9	-1760		-1750	
22.25	20.95	18.75	23.65	-1660		-1650	
21	19.7	17.5	22.4	-1560		-1550	
19.75	18.45	16.25	21.15	-1460		-1450	
18.5	17.2	15	19.9	-1360		-1350	
17.25	15.95	13.75	18.65	-1260		-1250	
16	14.7	12.5	17.4	-1160	ボス無しタイプ WITHOUT BOSS	ボス有りタイプ WITH BOSS	
14.75	13.45	11.25	16.15	-1060	55456-***6*	55456-***5*	
13.5	12.2	10	14.9	-0960		-0950	
12.25	10.95	8.75	13.65	-0860		-0850	
11	9.7	7.5	12.4	-0760		-0750	
9.75	8.45	6.25	11.15	-0660		-0650	
8.5	7.2	5	9.9	-0560		-0550	
7.25	5.95	3.75	8.65	-0460		-0450	
6	4.7	2.5	7.4	-0360		-0350	
4.75	3.45	1.25	6.15	55456-0260		55456-0250	
D	C	B	A	MATERIAL NO.	MODEL NO.	MATERIAL NO.	MODEL NO.

注記 NOTES

- 材料及び仕上げ:表参照 MATERIAL AND FINISH:SEE CHART
- エンボス梱包品の詳細は、SD-55456-011を参照の事。 DETAILED TAPING PACKAGE,SEE SD-55456-011

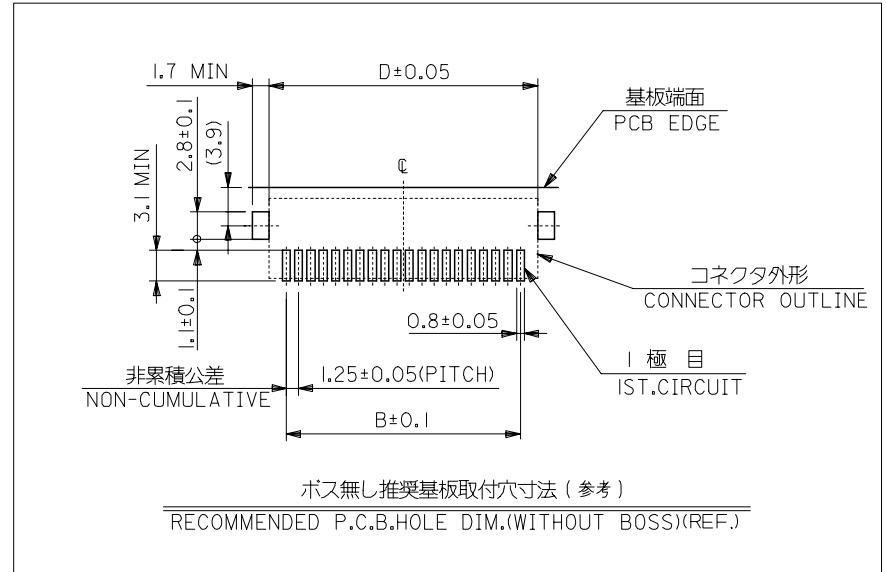
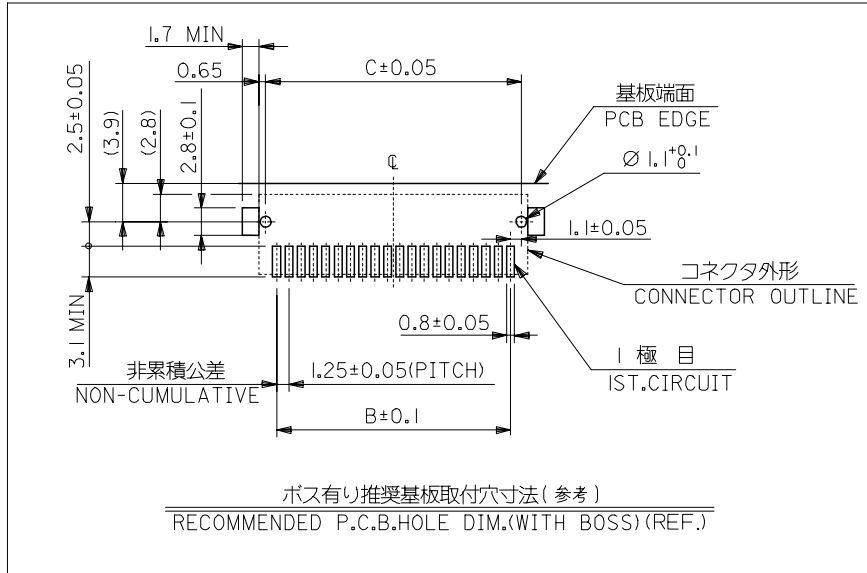


製品番号 MATERIAL NO.

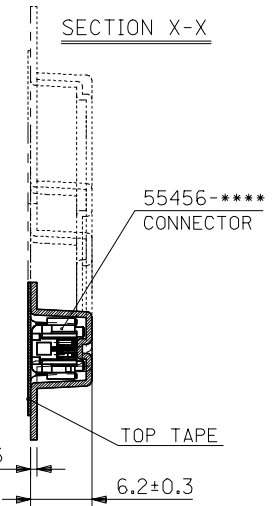
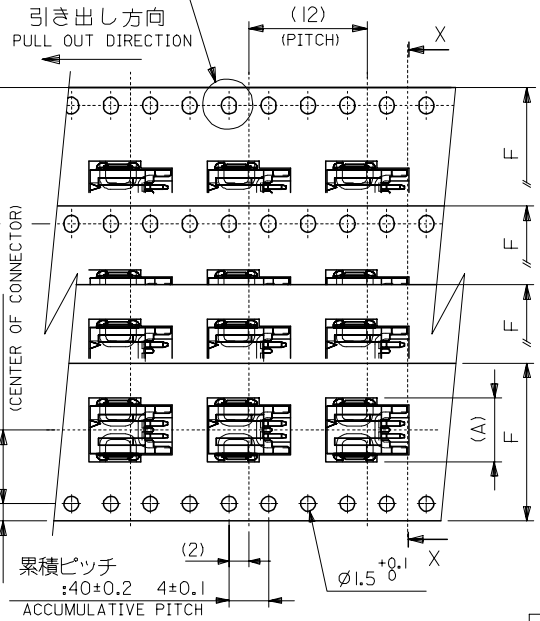
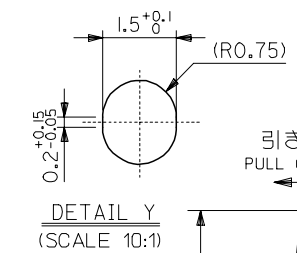
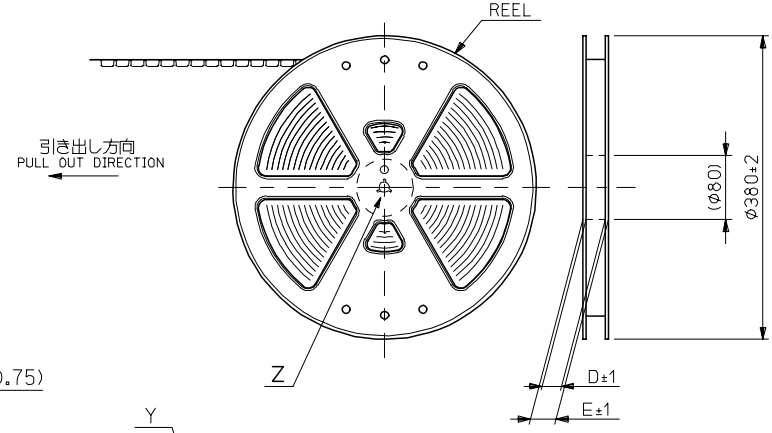
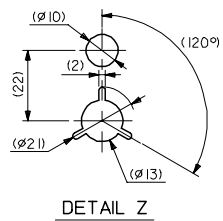
55456-****	極数 CIRCUIT SIZE (02~20)
	ボス BOSS 5: 有り WITH BOSS
	6: 無し WITHOUT BOSS
	色 COLOR 0: 自然色 NATURAL

4. 本製品は 55456-\*\*\*10/\*\*30/\*\*70/\*\*80 の鉛フリー品である。 THIS PRODUCT IS LEAD FREE OF 55456-\*\*\*10/\*\*30/\*\*70/\*\*80.

RELEASED EC NO: J2005-2224 2005/02/24 DRWN:NAIDA 2005/02/25 CHKD:KTOJO 2005/03/02 APPR:NUKITA	GENERAL TOLERANCES (UNLESS SPECIFIED)		DIMENSION STYLE MM ONLY		SCALE 4:1	DESIGN UNITS METRIC	THIRD ANGLE PROJECTION
	10 UNDER	±0.2	DRAWN BY N.AIDA	DATE '05/02/04	MINI M12 1-ROW R/A SMT ASS'Y -LEAD FREE- MOLEX INCORPORATED		
	10 OVER 30 UNDER	±0.25	CHECKED BY K.TOJO	DATE '05/02/04			
	30 OVER	±0.3	APPROVED BY N.UKITA	DATE '05/02/04	DOCUMENT NO. SD-55456-010	SHEET NO. 1 OF 2	
0	ANGULAR ±3 °	DRAFT WHERE APPLICABLE MUST REMAIN WITHIN DIMENSIONS		SEE CHART			

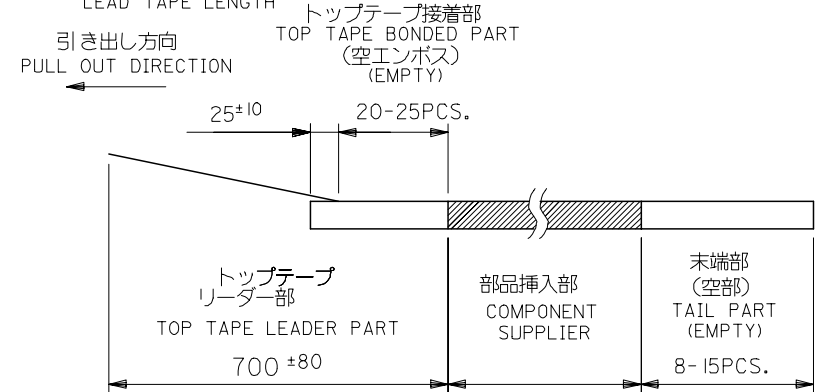


RELEASED EC NO: J2005-2224 DRAWN: NAIDA 2005/02/24 CHYK: KTOJO 2005/02/25 APPR: NUKITA 2005/03/02	GENERAL TOLERANCES (UNLESS SPECIFIED)		DIMENSION STYLE MM ONLY		SCALE 4:1	DESIGN UNITS METRIC	THIRD ANGLE PROJECTION	
	10 UNDER	±0.2	DRAWN BY N. AIDA	DATE '05/02/04	TITLE MINI MI2 1-ROW R/A SMT ASS'Y -LEAD FREE-			
	10 OVER 30 UNDER	±0.25	CHECKED BY K. TOJO	DATE '05/02/04				
	30 OVER	±0.3	APPROVED BY N. UKITA	DATE '05/02/04	MOLEX INCORPORATED DOCUMENT NO. SD-55456-010 SHEET NO. 2 OF 2			
	ANGULAR	±3 °	MATERIAL NO. SEE CHART					
DRAFT WHERE APPLICABLE MUST REMAIN WITHIN DIMENSIONS		SIZE A3		THIS DRAWING CONTAINS INFORMATION THAT IS PROPRIETARY TO MOLEX INCORPORATED AND SHOULD NOT BE USED WITHOUT WRITTEN PERMISSION				

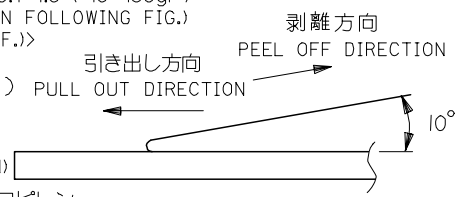


注記  
NOTES

- 製品番号 55456-\*\*\*\* の詳細寸法については、SD-55456-010 を参照下さい。  
IN THE PACKAGE, PART NO.55456-\*\*\*\* DETAILED DIMENSION, SEE SD-55456-010
- 梱包数量：1250個/リール  
NUMBER OF CONNECTORS:1250 PCS/REEL
- リードテープ長さ  
LEAD TAPE LENGTH



- トップテープの剥離強度：0.1~1.3 ( 10~130gf )  
(剥離方向は下図参照)  
<剥離速度：300mm/min (参考)>  
PEEL-OFF FORCE OF TOP TAPE: 0.1~1.3 ( 10~130gf )  
<PEELING DIRECTION AS SHOWN IN FOLLOWING FIG.>  
<PEEL-OFF SPEED:300mm/min (REF.)>  
尚、本規格値は、出荷時に適用。  
(但し、輸送時に剥離が発生しない事。)  
THIS RESOURCE SHOULD BE APPLIED AT SHIPMENT  
(PEEL OFF SHOULD NOT BE ALLOWED, DURING TRANSPORTATION)
- 材料 キャリアテープ：ポリプロピレン  
MATERIAL CARRIER TAPE :POLYPROPYLENE  
トップテープ：PET, PE, PP  
TOP TAPE :PET,PE,PEF  
リール：ポリスチレン  
REEL:POLYSTYRENE
- 本製品は 55456-\*\*19/\*\*39/\*\*79/\*\*89 の鉛フリー品である。  
THIS PRODUCT IS LEAD FREE OF 55456-\*\*19/\*\*39/\*\*79/\*\*89.



RELEASED EC NO: J2005-2224 DRAWN: NAIDA CHKD: KTOJO APPR: NUKITA 2005/02/24 2005/02/25 2005/03/02	GENERAL TOLERANCES (UNLESS SPECIFIED)		DIMENSION STYLE MM ONLY		SCALE 2:1	DESIGN UNITS METRIC	THIRD ANGLE PROJECTION
	10 UNDER	±0.2	DRAWN BY N. AIDA	DATE '05/02/04	TITLE EMBOSSSED TAPE PACKAGE FOR 55456-**** -LEAD FREE-		
	10 OVER 30 UNDER	±0.25	CHECKED BY K. TOJO	DATE '05/02/04			
	30 OVER	±0.3	APPROVED BY N. UKITA	DATE '05/02/04	MOLEX INCORPORATED		
	ANGULAR	±3 °	MATERIAL NO.	DOCUMENT NO. SD-55456-011			
0	DRAFT WHERE APPLICABLE MUST REMAIN WITHIN DIMENSIONS		SIZE A3	THIS DRAWING CONTAINS INFORMATION THAT IS PROPRIETARY TO MOLEX INCORPORATED AND SHOULD NOT BE USED WITHOUT WRITTEN PERMISSION			

44	49.4	45.4	40.4	20.2	28.95	55456-2060	55456-2069	55456-**69 ボス無し WITHOUT BOSS	55456-2050	55456-2059	55456-**59 ボス有り WITH BOSS	20	O K				
					27.7	↑	-1960		↑	-1969		↑	-1950	↑	-1959	19	N O
					26.45		-1860			-1869			-1850		-1859	18	O K
					25.2		-1760			-1769			-1750		-1759	17	N O
					23.95		-1660			-1669			-1650		-1659	16	O K
					22.7		-1560			-1569			-1550		-1559	15	N O
32	37.4	33.4	28.4	14.2	21.45		-1460		-1469		-1450		-1459	14	N O		
					20.2		-1360		-1369		-1350		-1359	13	O K		
					18.95		-1260		-1269		-1250		-1259	12	O K		
					17.7		-1160		-1169		-1150		-1159	11	O K		
24	29.4	25.4	→	11.5	16.45		-1060		-1069		-1050		-1059	10	O K		
					15.2		-0960		-0969		-0950		-0959	9	N O		
					13.95		-0860		-0869		-0850		-0859	8	N O		
					12.7		-0760		-0769		-0750		-0759	7	O K		
					11.45		-0660		-0669		-0650		-0659	6	N O		
16	21.4	17.4	→	7.5	10.2		-0560		-0569		-0550		-0559	5	O K		
					8.95		-0460		-0469		-0450		-0459	4	O K		
					7.7		-0360		-0369		-0350		-0359	3	N O		
F キャリアテープ幅 TAPE WIDTH	E	(D)	(C)	(B)	6.45	55456-0260	55456-0269	MODEL NO.	55456-0250	55456-0259	MODEL NO.	2	O K				
					(A)	CONNECTOR	エンボス梱包品 製品番号 MATERIAL NO.		CONNECTOR	エンボス梱包品 製品番号 MATERIAL NO.		極数 CIRCUIT SIZE	量産対応 AVAILABLE				

RELEASED EC NO: J2005-2224 2005/02/24 DRAWN: AIDA 2005/02/25 CHKD: KTOJO 2005/03/02 APPR: NUKITA	GENERAL TOLERANCES (UNLESS SPECIFIED)		DIMENSION STYLE MM ONLY		SCALE 2:1	DESIGN UNITS METRIC	THIRD ANGLE PROJECTION		
	10 UNDER	±0.2	DRAWN BY N. AIDA		DATE '05/02/04	TITLE EMBOSSSED TAPE PACKAGE FOR 55456-**** -LEAD FREE-			
	10 OVER 30 UNDER	±0.25	CHECKED BY K. TOJO		DATE '05/02/04				
	30 OVER	±0.3	APPROVED BY N. UKITA		DATE '05/02/04	MOLEX INCORPORATED DOCUMENT NO. SD-55456-011 SHEET NO. 2 OF 2			
	ANGULAR	±3 °	MATERIAL NO.						
DRAFT WHERE APPLICABLE MUST REMAIN WITHIN DIMENSIONS		SEE CHART		THIS DRAWING CONTAINS INFORMATION THAT IS PROPRIETARY TO MOLEX INCORPORATED AND SHOULD NOT BE USED WITHOUT WRITTEN PERMISSION					