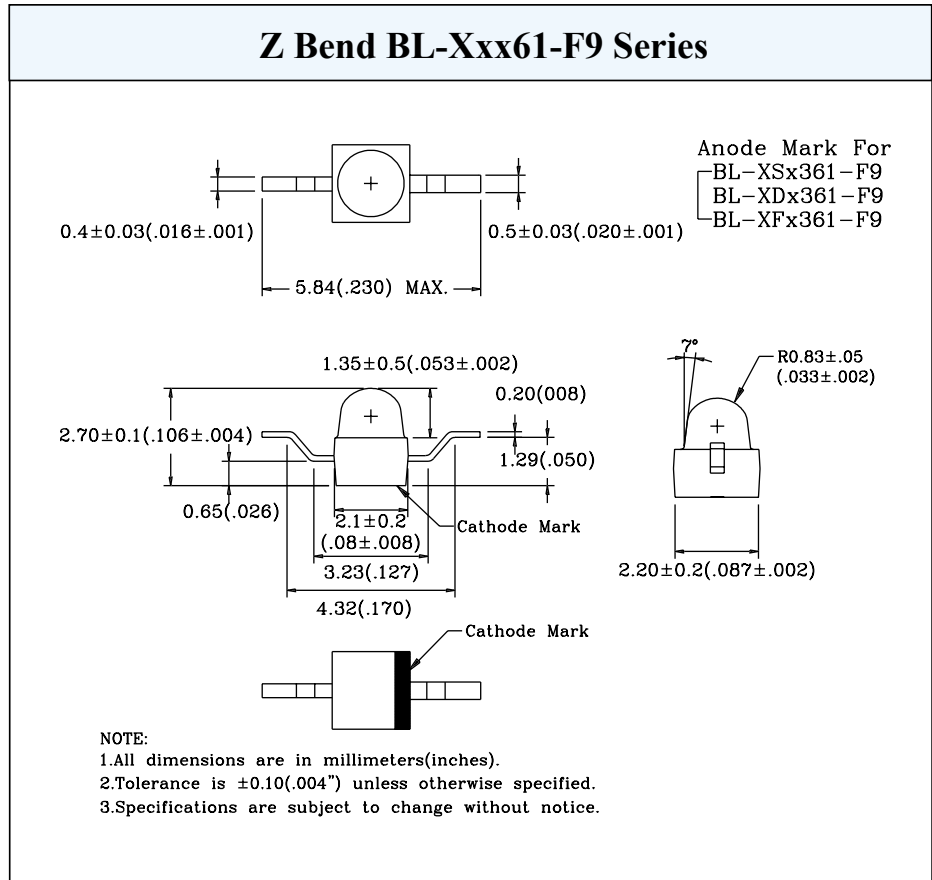




# Axial LED Lamps With "Z" Bend Lead



Absolute Maximum Ratings (Ta=25°C)

	UNIT	SPEC.
IF	mA	30
IFp	mA	100
VR	V	5
Topr	°C	-25~+80
Tstg	°C	-30~+85

Part No.	Chip				Lens Appearance	Electro-optical Data (At 20mA)				Viewing Angle $2\theta_{1/2}$ (deg)
	Material	Emitted Color	$\lambda_p$ (nm)	$\lambda_d$ (nm)		Vf(V)		Iv(mcd)		
						Typ.	Max.	Min.	Typ.	
BL-XE1361-F9	GaAsP/GaP	Hi-Eff Red	640	628	Water Clear	2.0	2.6	18.5	40.0	35
BL-XS1361-F9	GaAlAs/GaAs	Super Red	660	643		1.7	2.6	28.0	60.0	
BL-XD0361-F9	GaAlAs/GaAs	Super Red	660	643		1.8	2.6	28.0	75.0	
BL-XF0361-F9	GaAlAs	Super Red	660	643		2.1	2.6	42.0	100.0	
BL-XUB361-F9	AlGaInP	Super Red	645	632		2.1	2.6	42.0	100.0	
BL-XJB361-F9	AlGaInP	Super Orange Red	620	615		2.0	2.6	63.0	150.0	
BL-XJD361-F9	AlGaInP	Super Orange Red	630	625		2.1	2.6	63.0	150.0	
BL-XG0361-F9	GaP/GaP	Yellow Green	568	571		2.1	2.6	18.5	45.0	
BL-XX1361-F9	GaP/GaP	Hi-Eff Green	568	570		2.2	2.6	28.0	55.0	
BL-XW1361-F9	GaP/GaP	Pure Green	557	563		2.2	2.6	5.5	15.0	
BL-XGE361-F9	AlGaInP	Super Yellow Green	570	570		2.0	2.6	42.0	80.0	
BL-XG4361-F9	InGaN	Bluish Green	505	505		3.5	4.0	94.0	250.0	
BL-XG6361-F9	InGaN	Green	525	525		3.5	4.0	94.0	300.0	
BL-XY0361-F9	GaAsP/GaP	Yellow	583	585		2.1	2.6	12.3	30.0	
BL-XKB361-F9	AlGaInP	Super Yellow	590	587		2.1	2.6	94.0	200.0	
BL-XKD361-F9	AlGaInP	Super Yellow	595	594		2.1	2.6	94.0	200.0	
BL-XA1361-F9	GaAsP/GaP	Amber	610	610		2.2	2.6	5.5	15.0	
BL-XJF361-F9	AlGaInP	Super Amber	610	605		2.0	2.6	63.0	150.0	



# Tape And Reel Axial LED Lamps With "Z" Bend Lead

- DEVICE NUMBER: BL-Xxx61-TR9
- FEATURES:
  - Compatible with automatic placement equipment
  - Surface Mount assembly lamp
  - High efficiency low power consumption
  - Long life solid state reliability
- TAPPING AND PACKAGING SPECIFICATION

ITEM	SYMBOL	SPECIFICATION			
		Minimum		Maximum	
		mm	inch	mm	inch
Tape Feed Hole Diameter (DIA)	D <sub>0</sub>	1.40	0.055	1.55	0.061
Feed Hole Location	E	1.65	0.065	1.85	0.072
Centers Line Dimensions Length Direction	F	5.45	0.215	5.55	0.218
Compartment Depth	K <sub>0</sub>	3.10	0.122	3.20	0.126
Compartment Pitch	P	3.90	0.153	4.10	0.161
Sprocket Hole Diameter	P <sub>0</sub>	3.90	0.153	4.10	0.161
Centers Line Dimensions Length Direction	P <sub>2</sub>	1.95	0.076	2.05	0.080
Carrier Tape Thickness	t	-	-	0.30	0.012
Carrier Tape Width	W	12.00	0.472	12.30	0.484
Flange Diameter	A	178.0	7.008	180.0	7.087
Hub Spindle Hole	C	12.50	0.492	13.50	0.531
Hub Diameter	D <sub>2</sub>	20.00	0.788	21.50	0.846
Fixing Tape Width	W <sub>1</sub>	9.00	0.354	9.30	0.366
Flange Space Between Flanges	T	16.00	0.629	18.40	0.724
Compartment Length	A <sub>0</sub>	1.97	0.077	2.05	0.080
Compartment Width	B <sub>0</sub>	6.40	0.250	6.50	0.256

