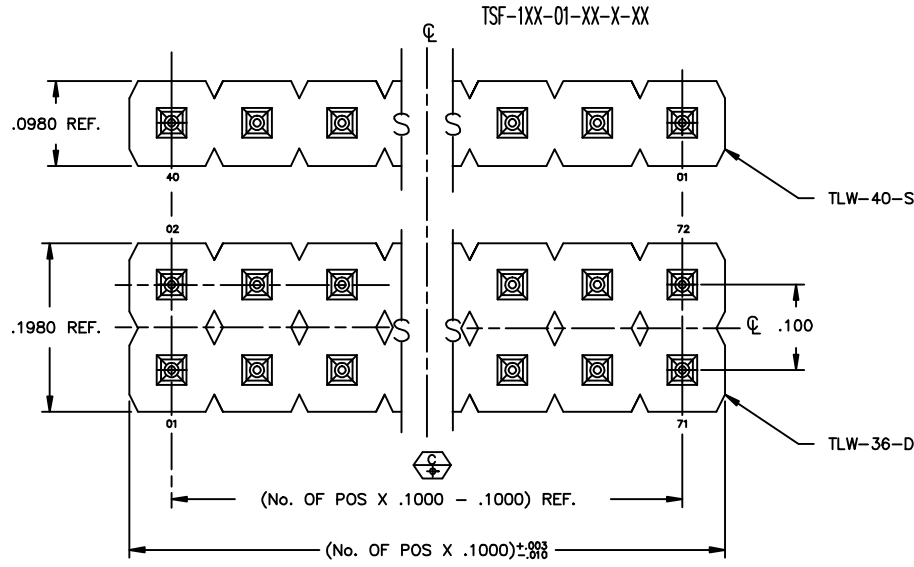


REV. E

DIMENSIONS ARE IN INCHES		UNLESS OTHERWISE NOTED	TOLERANCES ARE:
ONE PLACE DECIMALS ±.1	TWO PLACE DECIMALS ±.01	THREE PLACE DECIMALS ±.005	FOUR PLACE DECIMALS ±.0020
			ANGLES ± 2°

TITLE: THRU-HOLE
TERMINAL STRIP
.018 DIA POST

DWG NO: TSF-1XX-01-XX-X-XX
SHEET 1 OF 1



TSF-1XX-01-XX-X-XX

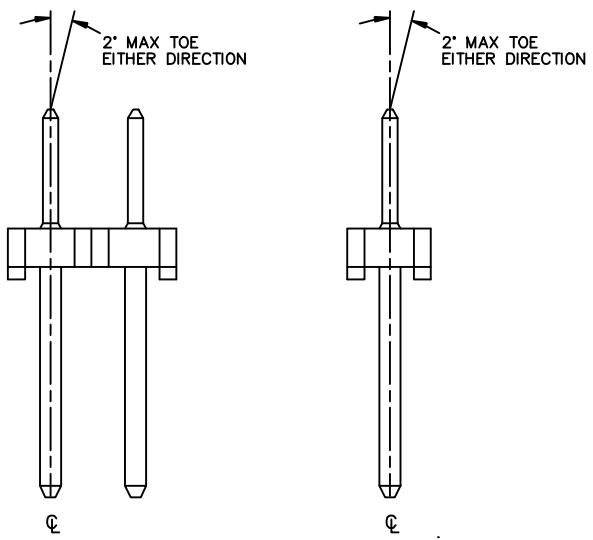
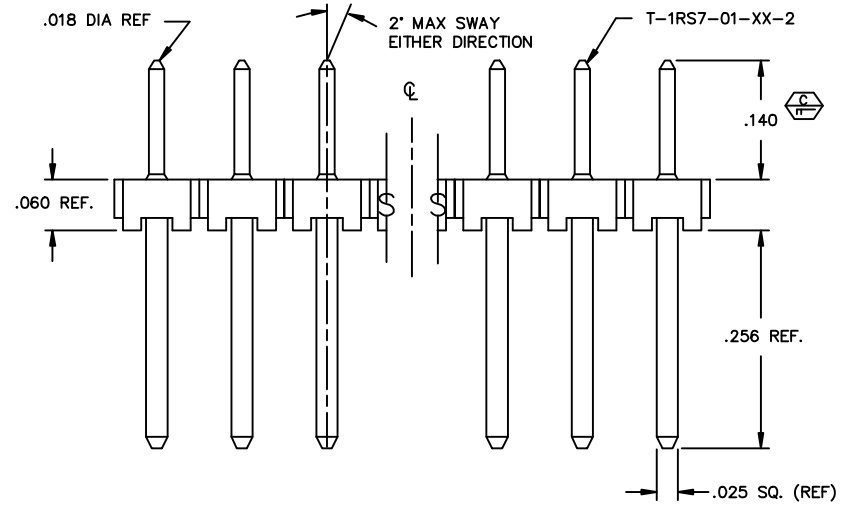
No. OF POSITIONS PER ROW
-01 THRU -40 (SINGLE ROW)
-01 THRU -36 (DOUBLE ROW)

LEAD STYLE
-01: T-1RS7-01-X-2

PLATING SPECIFICATIONS
-S: SELECTIVE (USE T-1RS7-01-R-2)
-T: TIN (USE T-1RS7-01-T-2)
-D: GOLD (USE T-1RS7-01-D-2)
-SM: SELECTIVE GOLD /MATTE TIN TAIL (USE T-1RS7-01-SM-2)

POLARIZING OPTION
POLARIZED POSITION
SPECIFY OMITTED PIN

ROW SPECIFICATION
-S: SINGLE ROW (USE TLW-40-S)
-D: DOUBLE ROW (USE TLW-36-D)



PROPRIETARY NOTE
THIS DOCUMENT CONTAINS INFORMATION CONFIDENTIAL AND PROPRIETARY TO SAMTEC INC. AND SHALL NOT BE REPRODUCED OR TRANSMITTED TO OTHER DOCUMENTS OR DISCLOSED TO OTHERS OR USED FOR ANY PURPOSE, OTHER THAN THAT FOR WHICH IT WAS OBTAINED WITHOUT THE EXPRESSED WRITTEN CONSENT OF SAMTEC INC.

- NOTES:
- 1.) TERMINAL PUSHOUT FORCE: 1 lbs MIN.
 - 2.) Ⓞ REPRESENTS A CRITICAL DIMENSION FOR STATISTICAL PROCESS CONTROL USE.
 - 3.) MAXIMUM CUT FLASH: .010

MISC\MKTG
TSFSMDKT

samtec

520 PARK EAST BLVD. NEW ALBANY, INDIANA 47150
PHONE (812) 944-6733 P.O. BOX 1147
CODE 55322

MADE BY: REIDINGER 11-23-92	ENG. APPROVAL: DEM	TSF-1XX-01-XX-X-XX
CHECKED BY: McCARTIN		SHEET 1 OF 1