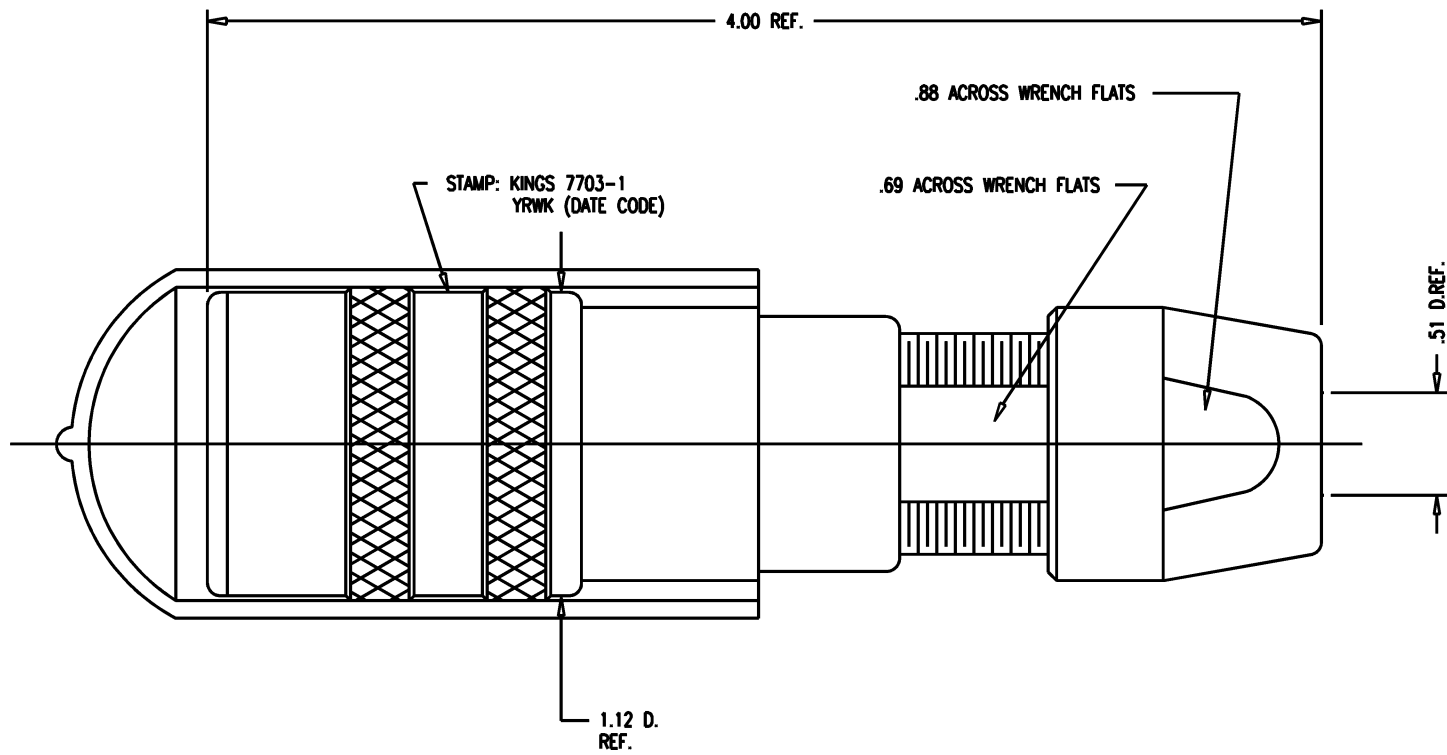


DASH NO.	M CODE	MADE FROM
----------	--------	-----------

GSD

7703-1

REVISIONS	
ISSUE	CHANGES
0	ER 35421 KH 04/10/95
1	CN 37238 A KH 02/03/97
2	CN 38583 C BDH 05/24/02



NOTES:

- FOR USE WITH 700 CABLE GROUP.
- FOR CABLING INSTRUCTIONS SEE KAI-8010.
- FOR CABLE TRIMMING USE KTJ-300 AND KTD-300.
- FOR CRIMPING USE DIE SIZE 2040.
- MATERIALS:
 INSULATORS-TEFLON, ASTM-D-4894
 GASKETS-SILICONE RUBBER, ZZ-R-765
 CAP-VINYL
 K-GRIP SLEEVE-COMMERCIAL BRONZE, ASTM-B-135
 CENTER CONTACT }
 OUTER CONTACT SPRING } BER. COP., ASTM-B-196
 INSERT
 ALL OTHER METAL PARTS-BRASS, ASTM-B16

- FINISHES:
 CENTER CONTACT }
 OUTER CONTACT SPRING } GOLD PLATE PER MIL-G-45204
 NUTS }
 COLLET } KINGS TARNISH RESISTANT NICKEL FINISH (TR-5)
 BODIES }
 ALL OTHER METAL PARTS-SILVER PLATE PER QQ-S-365
- ELECTRICAL CHARACTERISTICS:
 NOMINAL IMPEDANCE: 75 OHMS
 FREQUENCY RANGE: DC-500 MHZ
 VOLTAGE BREAKDOWN: CENTER CONDUCTOR/INNER GROUND: 1500 VRMS
 INNER GROUND/OUTER GROUND: 500 VRMS

KAM5516

SCALE 2:1	
APPROX SURFACE AREA	
USED ON	
REF: KP-8020-700-400	
JK, TRI-LOC, SERIAL DIGITAL	
DRAWN KH	DATE 04/10/95
DESIGN DW	DATE 04/11/95
APPR.	DATE
 ROCK HILL, SOUTH CAROLINA 29730	

GSD

7703-1