

AKT

Axial MLCC Ceramic Capacitor

	NPO	X7R	Y5V
Operating Temperature	-55°C~+125°C	-55°C~+125°C	-25°C~+85°C

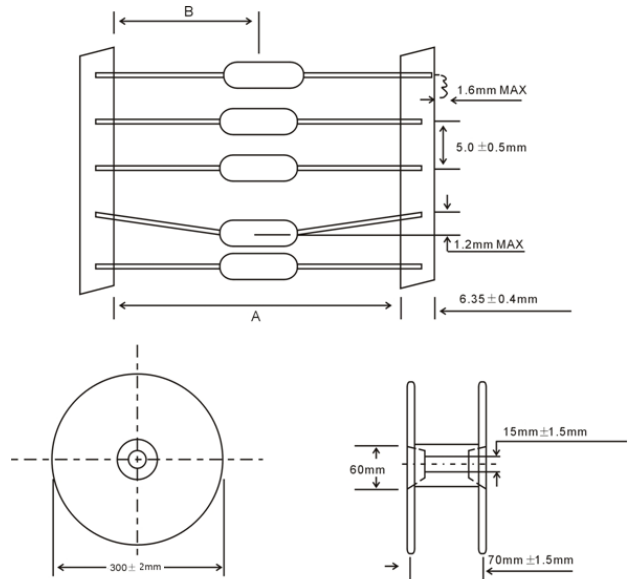
■SIZE CODE CAPACITANCE AND VOLTAGE

	Size Code	L max	D max	F (±0.6)		D (±0.05)	Voltage	COG (NPO)	X7R	Y5V (Z5U)
	15	3.8	2.5	5.08	10.0	0.45	25V 50V 100V	0R5~102 0R5~821 0R5~561	101~333 101~223 101~472	222~224 222~154
	17	4.3	2.5	5.08	10.0	0.45	25V 50V 100V	0R5~332 0R5~222 0R5~102	331~104 331~473 331~223	103~105 103~684
	20	5.1	3.0	5.08	10.0	0.45	25V 50V 100V	0R5~472 0R5~392 0R5~152	102~224 102~104 102~683	103~125 103~105

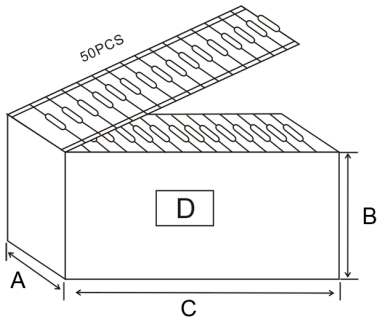
■PACKAGING STYLE

Tape and Reel

Tape style	A	B
Tape width: 26mm	26±1.5mm	13±0.76mm
Tape width: 52.4mm	52.4±1.5mm	26.2±0.76mm



Ammo Package



Tape Style	A	B	C	D
52.4mm	81(±5)mm	72(±5)mm	258(±5)mm	Label
56mm	50(±5)mm	110(±5)mm	258(±5)mm	

PACKAGING QUANTITY

Size Code	Tape and Reel	Ammo Package	Bulk Package
15	5000	5000	1000
17	5000	5000	1000
20	2500	2500	500

AKT

Axial MLCC Ceramic Capacitor

HOW TO ORDER

AKT --- 104 M 17 Y 500 P 26 R

↓ ↓ ↓ ↓ ↓ ↓ ↓ ↓
A B C D E F G H I

A:

Product Type	
	TYPE
	I DIELECTRIC AXIAL
	II DIELECTRIC AXIAL LEADS

B:

Capacitance	
104	10x10 ⁴
5R6	5.6

C:

Tolerance	
B	±10pF
C	±0.25pF
D	±0.5pF
F	±1.0%
G	±2.0%
J	±5.0%
K	±10%
M	±20%
N	±30%
S	+50% -20%
Z	+80% -20%
P	+100% -0%

B.C.D For C<10pF
NPO:B.C.D.F.G.J.K.M
X7R:K.M.S.Z
Y5V/Z5U:M.S.Z.P

D:

Unit : Inches

Corpus Length	
15	0.15
17	0.17
20	0.20

E:

Temperature Characteristics			
N	NPO	0±30ppm/°C	(-55~+125°C)
B	X7R	±15%	(-55~+125°C)
Y(F)	Y5V	+30	% (-25~+85°C)
		-80	
E	Z5U	+22	% (-10~+85°C)
		-56	

F:

Rated Voltage	
250	25x10 ²
500	50x10 ⁰
101	10x10 ¹

G:

Package Style		
T	Tape & Reel	
P	Ammo	
F	(mm) Pitch	
Bulk	F2	5.08
	F3	7.5
	F4	10

H:

Tape Style	
26	Tape Width: 26mm

I:

Pb	
R	RoHS

Note: Specifications are subject to change without notice.