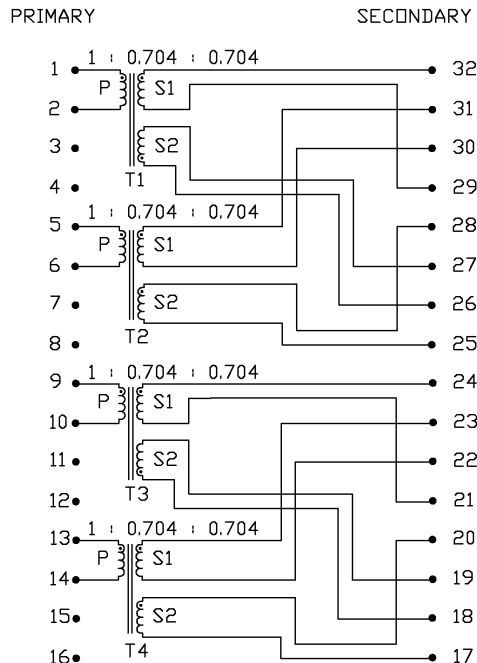


THE INFORMATION CONTAINED HEREIN IS CONSIDERED  
 "PROPRIETARY" TO BEL FUSE INC. AND SHALL NOT BE  
 COPIED, REPRODUCED OR DISCLOSED WITHOUT THE  
 WRITTEN APPROVAL OF BEL FUSE INC.



SCHEMATIC

ELECTRICAL CHARACTERISTICS @ 25°C



URNS RATIO

PRIMARY : SECONDARY1 : SECONDARY2      1 : 0.704 : 0.704  
 (P : S1 : S2)

INDUCTANCE

PRIMARY      1.8 mH MIN. @10kHz, 10mV  
 AT -40°C      800 μH MIN.

LEAKAGE INDUCTANCE (Le)

PRIMARY (SECONDARY SIDE SHORTED)      0.50 μH MAX. @1MHz, 20mV

INTERWINDING CAPACITANCE (Cw/W)

PRIMARY - SECONDARY      35pF MAX. @1MHz, 20mV

DC RESISTANCE

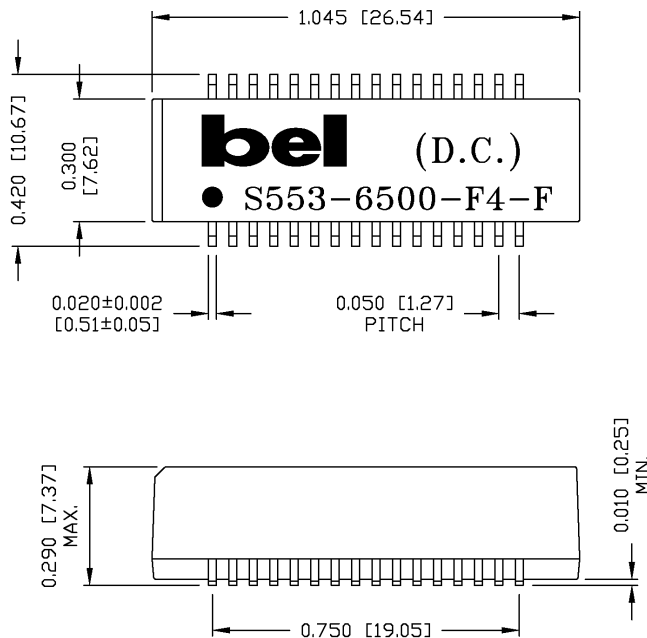
PRIMARY      0.80 Ω MAX.  
 SECONDARY 1 = SECONDARY 2      0.60 Ω MAX.

HIPOT

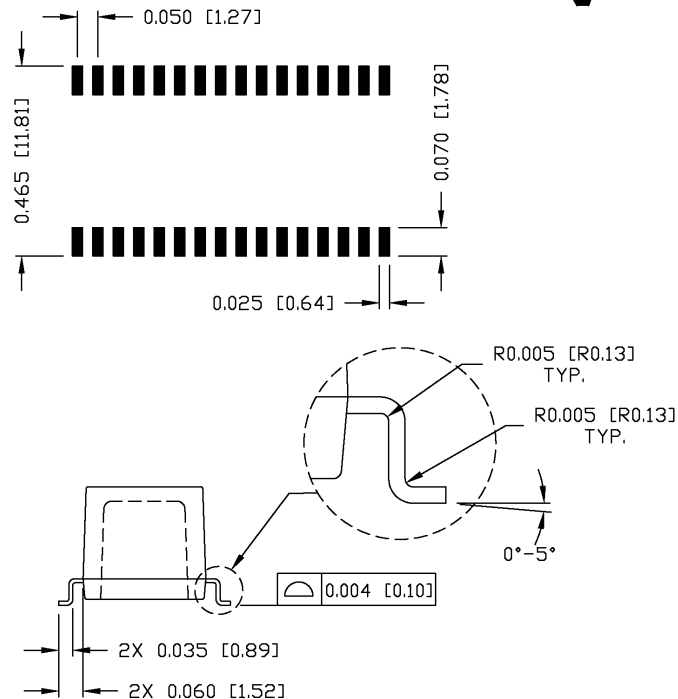
RER HAND-WORK-03

ORIGINATED BY	DATE	TITLE	PART NO. / DRAWING NO.	STANDARD DIM.	[ ] METRIC DIM. AS REFERENCE		 <small>COMPONENTS ON A CONNECTED PLANET</small>
HD	04-01-06	4-CHANNEL T1/E1 LIU MAGNETICS MODULE S553-6500-F4-F	X5536500F4-F	TOL. IN INCH	UNIT : INCH [mm]	REV. : A	
DRAWN BY	DATE		FILE NAME	.X	SCALE : N/A	SIZE : A4	
DQ Chen	04-01-06	X5536500F4FA.DWG	.XX		PAGE : 2		

THE INFORMATION CONTAINED HEREIN IS CONSIDERED "PROPRIETARY" TO BEL FUSE INC. AND SHALL NOT BE COPIED, REPRODUCED OR DISCLOSED WITHOUT THE WRITTEN APPROVAL OF BEL FUSE INC.



SUGGESTED PCB PAD LAYOUT



NOTES:

- STANDARD MARKING REFER TO DOC. HAND-WORK-04.
- PACKAGE CODE: "RDS001".

ORIGINATED BY	DATE	TITLE	PART NO. / DRAWING NO.	STANDARD DIM. TOL. IN INCH	[ ] METRIC DIM. AS REFERENCE	 COMPONENTS ON A CONNECTED PLANET
HD	04-01-06	MECHANICAL DRAWING	X5536500F4-F	.X	UNIT : INCH [mm] REV. : A	
DRAWN BY	DATE	S553-6500-F4-F	FILE NAME	.XX ±0.01	SCALE : N/A SIZE : A4	
DQ Chen	04-01-06	X5536500F4FA.DWG		.XXX ±0.005	PAGE : 3	