

4

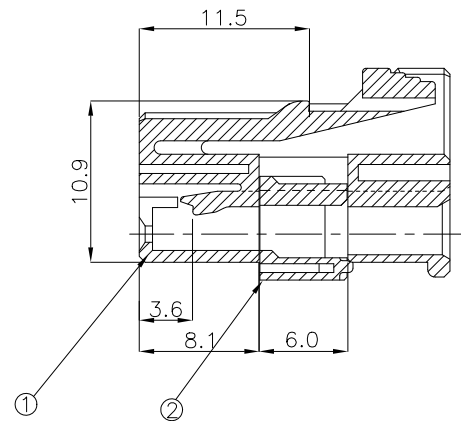
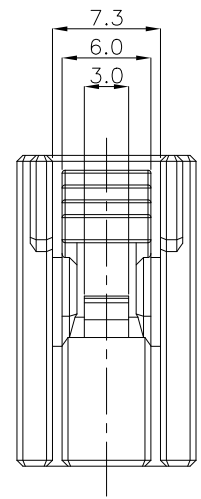
3

2

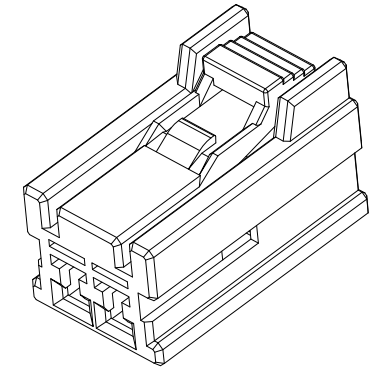
1

THIS DRAWING IS UNPUBLISHED. RELEASED FOR PUBLICATION
© COPYRIGHT BY TYCO ELECTRONICS CORPORATION, ALL RIGHTS RESERVED.

LOC	DIST	REVISIONS					
		P	LTR	DESCRIPTION	DATE	DWN	APVD
DS	-		B	REVISED (ECR-06-023165)	09.OCT.'06	BS	JK
			B1	REVISED (ECR-09-005043)	24.MAR.'09	KT	HG

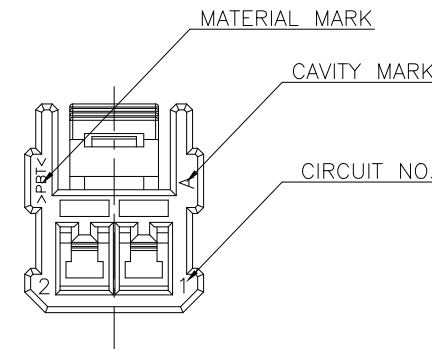
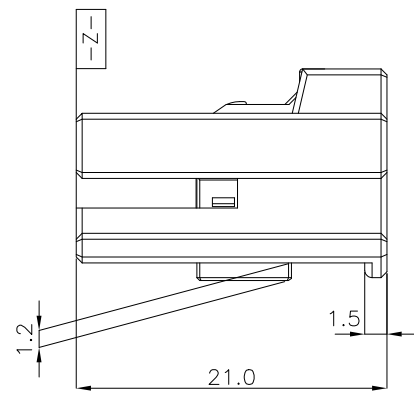
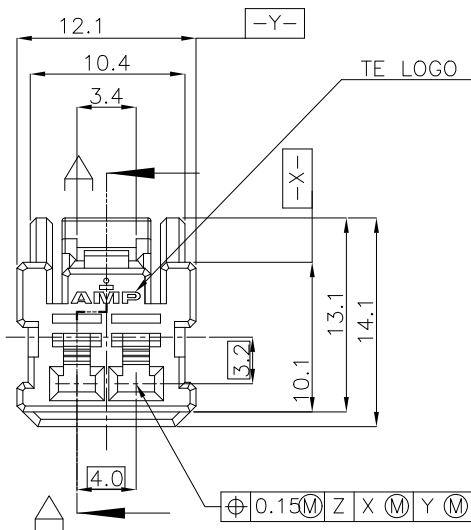


SECTION A - A



- NOTES.
 1. THE MATING HSG. P/N ; 936236
 2. APPLIED CONTACT P/N ;
 090 II REC.- 368083, 368084, 368085 (B1) (B1)
 090 III REC.- 1743654, 1743655, 1743656, 1897753, 1897598

- 추가-
 1. 상대 하우징 P/N. : 936236 (B1) (B1)
 2. 적용단자 P/N. : 090 II REC.- 368083, 368084, 368085 (B1) (B1)
 090 III REC.- 1743654, 1743655, 1743656, 1897753, 1897598



ASSY P/N
0-936224-8
0-936224-5
0-936224-4
0-936224-3
0-936224-2
0-936224-1

NO	COLOR	MATERIAL	DESCRIPTION	P/N	QTY
1	BLUE	PBT	PLUG	0-936225-8	1
	YELLOW	PBT	PLUG	0-936225-5	1
	BROWN	PBT	PLUG	0-936225-4	1
	D/GRAY	PBT	PLUG	0-936225-3	1
	BLACK	PBT	PLUG	0-936225-2	1
2	NATURAL	PBT	DBL	0-936226-1	1 1 1 1 1 1

THIS DRAWING IS A CONTROLLED DOCUMENT FOR TYCO ELECTRONICS CORPORATION IT IS SUBJECT TO CHANGE AND THE CONTROLLING ENGINEERING ORGANIZATION SHOULD BE CONTACTED FOR THE LATEST REVISION.

DIMENSIONS: MM	TOLERANCES UNLESS OTHERWISE SPECIFIED: 0 <XX<10 ± 0.2 10<XX<30 ± 0.25 30<XX ± 0.3 ANGLES ± 3°
MATERIAL	FINISH
SEE TABLE	

DWN KT JUNG
 CHK JW JUNG
 APVD HG CHD
 PRODUCT SPEC -
 APPLICATION SPEC -
 WEIGHT -

Tyco Electronics AMP KOREA, Kyungsan, Korea
 NAME: 090III 2P PLUG ASS'Y
 SIZE: A3 CAGE CODE: 00779 DRAWING NO: C-936224 RESTRICTED TO: -
 CUSTOMER DRAWING SCALE: 2/1 SHEET: 1 OF 1 REV: B1