

SPECIFICATIONS

Mechanical

Contact Retention Force: 4.9 N min. per pin
 Contact Insertion Force: 1.15 N max. per contact pair
 Contact Removal Force: 0.15 N min per contact pair
 Durability: 50 Cycles

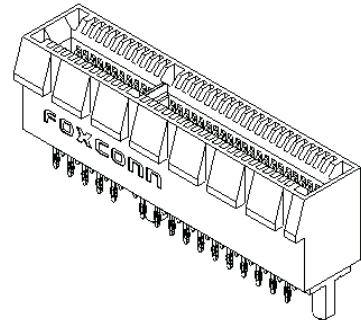
Electrical

Current Rating: 1.1A min. per pin
 Contact Resistance: 30 mW max. initial, 50 mW max. after test
 Dielectric Withstanding Voltage: 500V AC min. at Sea Level
 Insulation Resistance: 1000MW min.

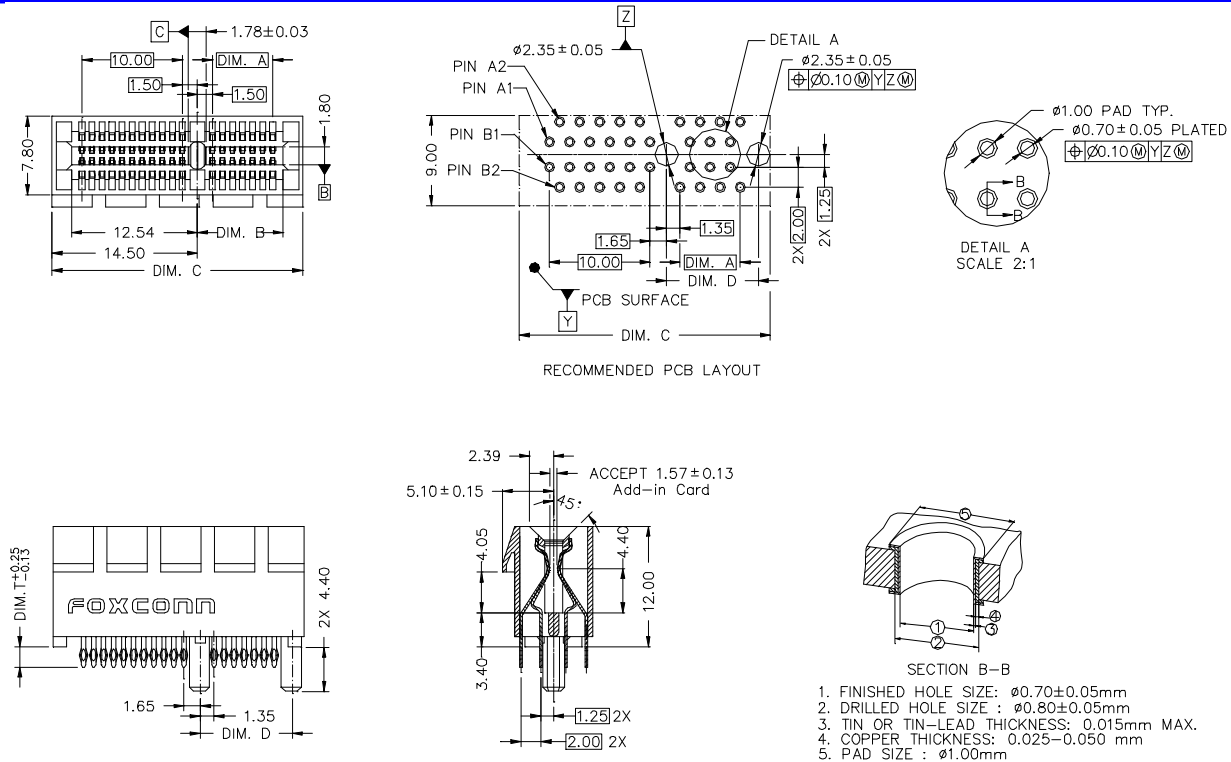
Physical

Housing: Thermoplastic, UL 94V-0 rated, in Black Color
 Contact: Copper alloy
 Plating: See "ORDERING INFORMATION"
 Operating Temperature: -40 to +105

2EG Series
 SIOM Press-fit Type
 1. 00mm [.039"] Pitch
 36 Pos. (1X)
 64 Pos. (4X)
 98 Pos. (8X)
 164 Pos. (16X)



DRAWING



ORDERING INFORMATION

PRODUCT NO.: 2EG 9 ** * * - D2DS - **

Product Series: 2EG= PCI Express
 Terminal Type: 9= Vertical Press-fit Type
 No. Of Pos.: 18= 32 Positions, 32= 64 Positions, 49= 98 Positions, 82= 164 Positions
 Tail Length: 1= 2.00 mm, 2= 3.18 mm
 Plating Type: DN= Tin / Lead, DF= Lead Free
 Extension Code:
 Contact Area Gold Plating: 1= Gold Flash, 7= 15u" Gold, 3= 30u" Gold

2EG982**...***S-**	70.00	72.54	89.00	73.15	2.00	3.43
2EG949**...***S-**	37.00	39.54	56.00	40.15		
2EG932**...***S-**	20.00	22.54	39.00	23.15		
2EG918**...***S-**	6.00	6.54	25.00	9.15		
PART NUMBER	DIM. A	DIM. B	DIM. C	DIM. D	2.36 PCB	3.18 PCB
					DIM.T	