

SERIES SIR

Isolated Regulated up to 8 Watts

DC-DC Converters

Wide Input Range

up to 3.33:1

Fully Regulated



SURFACE MOUNT

3.3 Volts Output
Now Standard

FEATURES:

- Voltage regulation over input of

LOW	HI
SIRE 5V	15V
SIRF 8V	24V
SIRA 18V	36V
SIRB 36V	60V
SIRC 18V	60V
- Encapsulated semiconductors conservatively rated for maximum reliability.
- Load regulation (see table for typical variation at different loads)
- Line regulation = Typical values

5-15 V DC	= ± 1.5%
8-24 V DC	= ± 1.5%
18-36 V DC	= ± 1.0%
36-60 V DC	= ± 1.0%
18-60 V DC	= ± 1.5%
- High efficiency-up to 82%
- Will operate over a temperature range of 25°C to +70°C with no heat sink or electrical derating
- 6 sided shielding
- Isolation-100 megohms at 500 volts DC
- External output trimming pin standard, +5%
- Single and dual isolated outputs
- Each unit is supplied with an external control pin. This "C" pin, when connected to the negative (-) input, will disable the unit, allowing for remote shutdown.

OPTIONS AVAILABLE
Selected MIL-STD-883

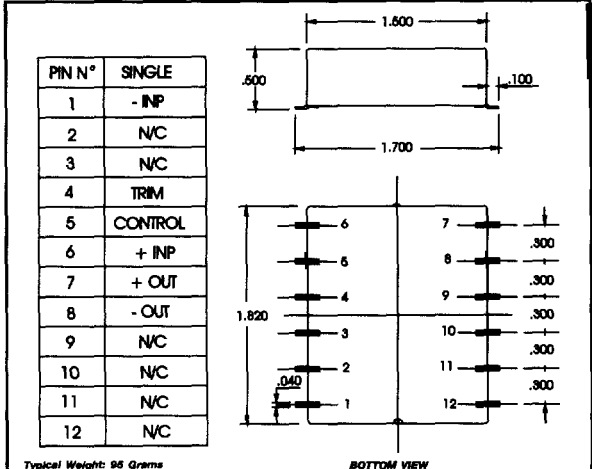
- Expanded operating temp. (-55°C to +85°C)
- Stabilization Bake (125°C ambient)
- Temperature Cycle (-55°C to +125°C)
- Hi Temp, full power burn in (100% power, 125°C case temp)

SERIES SIR SINGLE OUTPUT

PICO PART NUMBER	INPUT VOLTAGE RANGE	OUTPUT VOLTAGE DC	MAX. LOAD CURRENT (mA)	MAX. OUTPUT POWER (WATTS)	EFF. @ FULL LOAD TYPICAL (%)*	INPUT CURRENT FULL LOAD TYPICAL (mA)*	OUTPUT RIPPLE @ FULL LOAD 1-1 MHz BW mv p-p*	OUT VOLT TOLERANCE (±%)*	±% VLD REG 25% - 100% LOAD (±%)*	LINE REGULATION (±%)*	PRICE 1-24
SIRE3.3S	5-15	3.3	1515	5	78	641	150	3	2.00	2.00	128.40
SIRE5S	5-15	5	1000	5	78	640	150	0.75	1.50	2.00	128.40
SIRE5.2S	5-15	5.2	961	5	78	640	150	0.75	1.50	2.00	128.40
SIRE9S	5-15	9	667	6	78	770	125	0.50	1.25	1.50	128.40
SIRE12S	5-15	12	500	6	78	770	125	0.50	1.25	1.25	128.40
SIRE15S	5-15	15	400	6	78	770	125	0.50	1.25	1.25	128.40
SIRE24S	5-15	24	250	6	80	750	125	0.50	1.00	1.25	128.40
SIRE28S	5-15	28	214	6	81	740	125	0.50	1.00	1.00	128.40
SIRE48S	5-15	48	125	6	81	740	125	0.50	1.00	1.00	128.40
SIRE100S	5-15	100	60	6	81	740	150	0.50	1.00	1.00	160.50
SIRF3.3S	8-24	3.3	2424	8	79	633	150	3	2.00	2.00	128.40
SIRF5S	8-24	5	1600	8	79	635	150	0.75	1.50	2.00	128.40
SIRF5.2S	8-24	5.2	1538	8	79	635	150	0.75	1.50	2.00	128.40
SIRF9S	8-24	9	889	8	79	635	125	0.50	1.25	1.50	128.40
SIRF12S	8-24	12	667	8	79	635	125	0.50	1.25	1.25	128.40
SIRF15S	8-24	15	533	8	79	635	125	0.50	1.25	1.25	128.40
SIRF24S	8-24	24	333	8	80	625	125	0.50	1.00	1.25	128.40
SIRF28S	8-24	28	286	8	81	615	125	0.50	1.00	1.00	128.40
SIRF48S	8-24	48	167	8	82	610	125	0.50	1.00	1.00	128.40
SIRF100S	8-24	100	80	8	82	610	150	0.50	1.00	1.00	160.50
SIRA3.3S	18-36	3.3	2424	8	78	380	150	3	2.00	2.00	128.40
SIRA5S	18-36	5	1600	8	78	380	125	0.75	2.00	0.75	128.40
SIRA5.2S	18-36	5.2	1538	8	78	380	125	0.75	2.00	0.75	128.40
SIRA9S	18-36	9	889	8	78	380	100	0.50	2.00	0.50	128.40
SIRA12S	18-36	12	667	8	78	380	100	0.50	2.00	0.50	128.40
SIRA15S	18-36	15	533	8	78	380	100	0.50	1.50	0.50	128.40
SIRA24S	18-36	24	333	8	79	375	100	0.50	1.50	0.25	128.40
SIRA28S	18-36	28	286	8	80	370	100	0.50	1.50	0.25	128.40
SIRA48S	18-36	48	167	8	80	370	100	0.50	1.00	0.25	128.40
SIRA100S	18-36	100	80	8	80	370	125	0.50	1.00	0.50	160.50
SIRB3.3S	36-60	3.3	2424	8	79	211	150	3	2.00	2.00	149.80
SIRB5S	36-60	5	1600	8	80	210	100	0.75	1.25	0.50	149.80
SIRB5.2S	36-60	5.2	1538	8	80	210	100	0.75	1.25	0.50	149.80
SIRB9S	36-60	9	889	8	81	205	100	0.50	1.00	0.25	149.80
SIRB12S	36-60	12	667	8	81	205	100	0.50	1.00	0.25	149.80
SIRB15S	36-60	15	533	8	81	205	100	0.50	1.00	0.25	149.80
SIRB24S	36-60	24	333	8	82	200	100	0.50	0.75	0.25	149.80
SIRB28S	36-60	28	286	8	82	200	100	0.50	0.75	0.25	149.80
SIRB48S	36-60	48	167	8	82	200	100	0.50	0.75	0.25	149.80
SIRB100S	36-60	100	80	8	82	200	125	0.50	1.00	0.50	187.25
SIRC3.3S	18-60	3.3	2424	8	78	263	150	3	2.00	2.00	160.50
SIRC5S	18-60	5	1600	8	79	260	125	0.75	2.00	1.25	160.50
SIRC5.2S	18-60	5.2	1538	8	79	260	125	0.75	2.00	1.25	160.50
SIRC9S	18-60	9	889	8	80	255	100	0.50	1.00	0.75	160.50
SIRC12S	18-60	12	667	8	80	255	100	0.50	1.00	0.75	160.50
SIRC15S	18-60	15	533	8	81	255	100	0.50	1.00	0.75	160.50
SIRC24S	18-60	24	333	8	82	250	100	0.50	0.75	0.50	160.50
SIRC28S	18-60	28	286	8	82	250	100	0.50	0.75	0.50	160.50
SIRC48S	18-60	48	167	8	82	250	100	0.50	0.75	0.50	160.50
SIRC100S	18-60	100	80	8	82	250	125	0.50	1.00	0.50	200.63

*Measurements taken with input voltage at mid value. ** 10% minimum load required
Ordering Instructions: No minimum, Net 30 days F.O.B. Pelham, New York

SIZE "SIR" DC/DC CONVERTER. SURFACE MOUNT VERSION, SINGLE.



Delivery - stock to one week

For Land Pattern Dimensions See Pg. 104 Fig. 9

For immediate engineering assistance or to place an order -

Call Toll Free 800-431-1064

PICO

Electronics, Inc.

143 Sparks Avenue, Pelham, NY 10803-1837
FAX 914-738-8225
www.picoelectronics.com
E-Mail: info@picoelectronics.com

Each unit supplied with an external control pin. This "C" pin, when connected to the negative (-) input, will disable the unit, allowing for remote shutdown.

